

ecojmate Female receptacle, No. of contacts 6 + PE, 250 V

Part No. C016 10G006 000 12

Series Circular Connectors ecojmate

Subseries Circular Connector ecojmate



View represents all available contact positions.

COMMON CHARACTERISTICS		
No. of contacts		6 + PE
ELECTRICAL CHARACTERISTICS		
Rated voltage	DIN EN 60664-1 / IEC 60664-1	250 V
Rated impulse voltage	DIN EN 60664-1 / IEC 60664-1	4000V
Installation category	DIN EN 60664-1 / IEC 60664-1	III
Insulation group	DIN EN 60664-1 / IEC 60664-1	II
Insulation resistance	DIN EN 60512-2, Test 3a / IEC 60512-2, Test 3a	≥ 10 ⁹
Current carrying capacity	DIN EN 60512-3, Test 5b / IEC 60512-2 Test 5b	13 A / + 55 °C
Pollution degree	DIN EN 60664-1 / IEC 60664-1	3
CLIMATICAL CHARACTERISTICS		
Climatic category	DIN EN 60068-1 / IEC 60068-1	40 / 125 / 56
Operating temperature		-40°C ... +125°C
MECHANICAL CHARACTERISTICS		
IP degree of protection	DIN EN 60529 / IEC 60529	IP 67 / IP 65
Insertion and withdrawal force	DIN EN 60512-13-2, Test 13b / IEC 60512-13-2, Test 13b	≤ 30 N
Mechanical lifetime		≥ 500 mating cycles
MATERIALS		
Colour		black
Contact plating		silver plated / gold plated
Housing		Polyamid (PA 6 / PA 6.6)
Gasket		Neoprene
FURTHER CHARACTERISTICS		
Termination		crimp
Wire gauge		0,14 - 1,5 mm ²
Flammability	UL 94	V-0
Locking		screw



1781, 1780



E63093



48932



00.0394

ecoj|mate Female receptacle, No. of contacts 6 + PE, 250 V

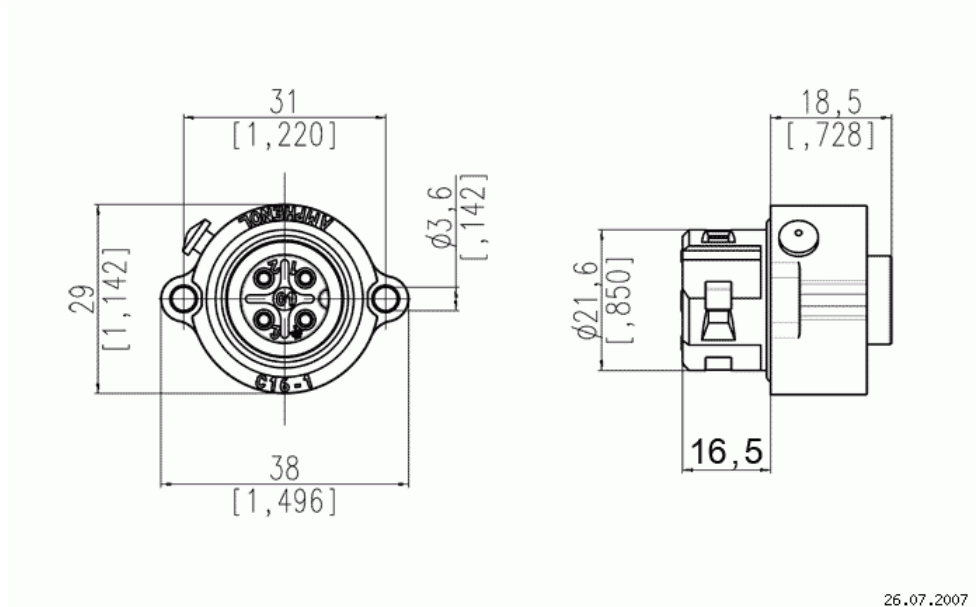
Part No. C016 10G006 000 12

Series Circular Connectors ecoj|mate

Subseries Circular Connector ecoj|mate



View represents all available contact positions.



eco|mate Female receptacle, No. of contacts 6 + PE, 250 V

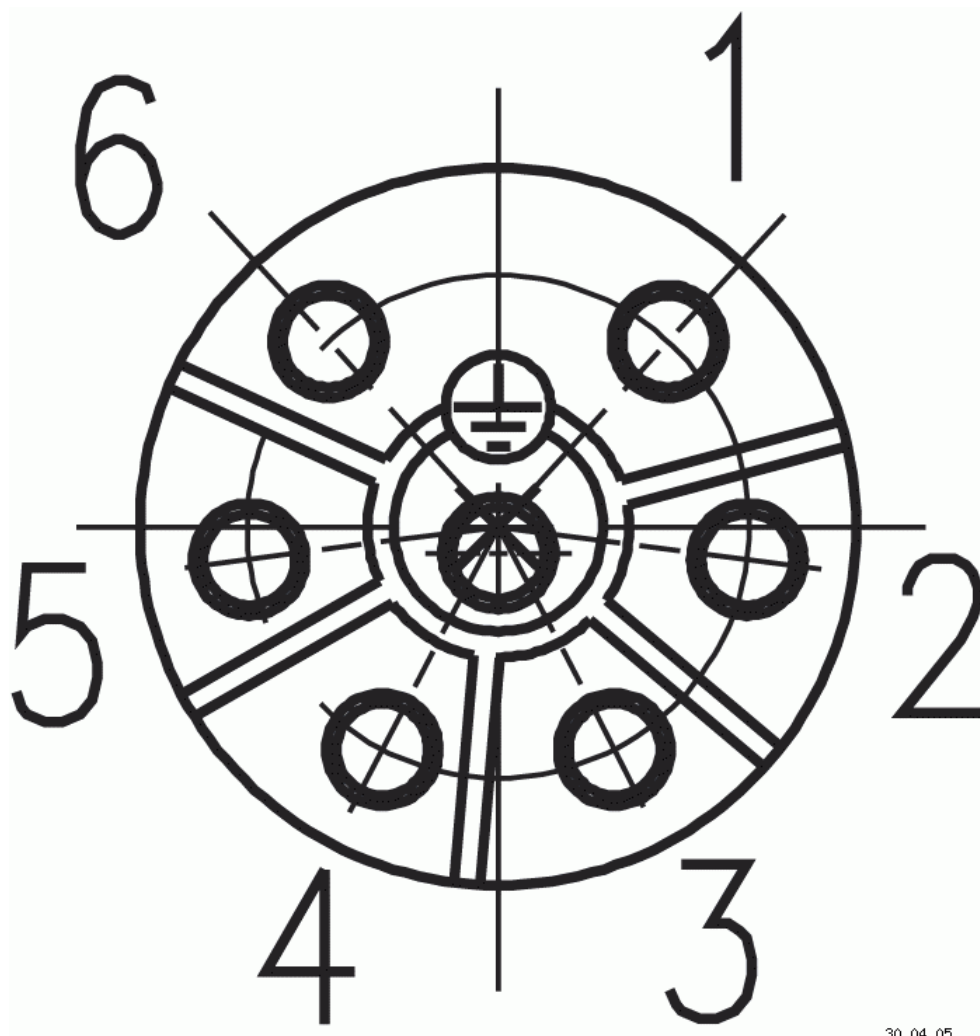
Part No. C016 10G006 000 12

Series Circular Connectors eco|mate

Subseries Circular Connector eco|mate



View represents all available contact positions.



Contact arrangement

30.04.05

eco|mate Female receptacle, No. of contacts 6 + PE, 250 V

Part No. C016 10G006 000 12

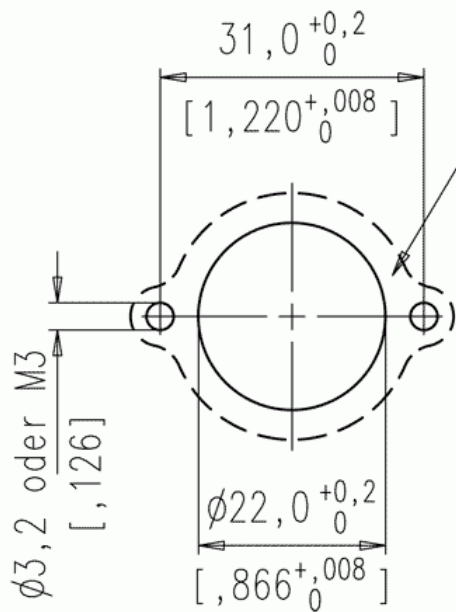
Series Circular Connectors eco|mate

Subseries Circular Connector eco|mate



View represents all available contact positions.

Mounting Cut-Out / Montageausschnitt



**For sealing reasons
this surface needs to be
level and free of burrs**

**Dichtfläche in diesem
Bereich eben und
gratfrei**