

eco|mate Female cable connector, No. of contacts 3 + PE, 400 V

Part No. C016 20D003 210 10

Series Circular Connectors eco|mate

Subseries Circular Connector eco|mate



View represents all available contact positions.

COMMON CHARACTERISTICS		
No. of contacts		3 + PE
Cable diameter		6-10 mm
ELECTRICAL CHARACTERISTICS		
Rated voltage	DIN EN 60664-1 / IEC 60664-1	400 V
Rated impulse voltage	DIN EN 60664-1 / IEC 60664-1	6000V
Installation category	DIN EN 60664-1 / IEC 60664-1	III
Insulation group	DIN EN 60664-1 / IEC 60664-1	II
Insulation resistance	DIN EN 60512-2, Test 3a / IEC 60512-2, Test 3a	≥ 10 ⁸
Contact resistance	DIN EN 60512-2, Test 2a / IEC 60512-2 Test 2a	≤ 5 m
Current carrying capacity	DIN EN 60512-3, Test 5b / IEC 60512-2 Test 5b	16 A / + 55 °C
Pollution degree	DIN EN 60664-1 / IEC 60664-1	3
CLIMATICAL CHARACTERISTICS		
Climatic category	DIN EN 60068-1 / IEC 60068-1	40 / 100 / 56
Operating temperature		-40°C ... +100°C
MECHANICAL CHARACTERISTICS		
IP degree of protection	DIN EN 60529 / IEC 60529	IP 67 / IP 65
Insertion and withdrawal force	DIN EN 60512-13-2, Test 13b / IEC 60512-13-2, Test 13b	≤ 15 N
Mechanical lifetime		≥500 mating cycles
Strain relief		cable retention + clamping ring
MATERIALS		
Insert		Polyamid (PA 6 / PA 6.6)
Colour		blue
Contact plating		gold plated
Housing		Polyamid (PA 6 / PA 6.6)
Gasket		Neoprene
FURTHER CHARACTERISTICS		
Termination		screw
Wire gauge		max. 2,5 mm ²
Flammability	UL 94	V-0
Locking		screw



1781, 1780



E63093



48932



00.0394

eco|mate Female cable connector, No. of contacts 3 + PE, 400 V

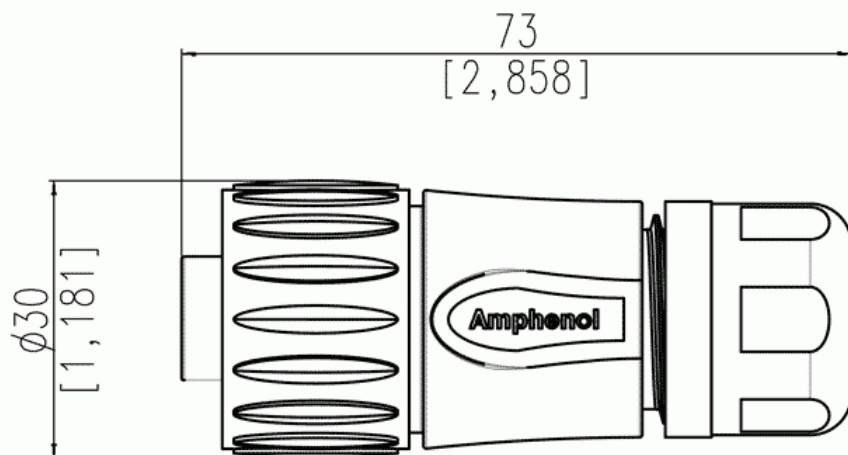
Part No. C016 20D003 210 10

Series Circular Connectors eco|mate

Subseries Circular Connector eco|mate



View represents all available contact positions.



Drawing Dimensions in mm (Inch)

26.07.2007

eco|mate Female cable connector, No. of contacts 3 + PE, 400 V

Part No. C016 20D003 210 10

Series Circular Connectors eco|mate

Subseries Circular Connector eco|mate

Contact arrangement



View represents all available contact positions.