

# TUSB9261 DEMO Board Guide

## User's Guide



Literature Number: SLLU139  
February 2011



|    |  |    |
|----|--|----|
| 1  | TUSB9261 DEMO Board Block Diagram .....  | 5  |
| 2  | Component Location .....                 | 6  |
| 3  | 12-V DC Jack .....                       | 7  |
| 4  | Cable Power vs. Self Power .....         | 8  |
| 5  | Power Switch .....                       | 9  |
| 6  | 3.3-V and 1.1-V Regulator .....          | 10 |
| 1  | Push Button Reset .....                  | 10 |
| 7  | SPI .....                                | 11 |
| 8  | Crystal or Oscillator Support .....      | 12 |
| 9  | GPIOs/LEDs/PBUTTON .....                 | 13 |
| 1  | GPIO LEDs .....                          | 13 |
| 2  | PWM LEDs .....                           | 13 |
| 3  | GPIO Push Button .....                   | 13 |
| 10 | Default GPIO/PWM Configures States ..... | 14 |
| 11 | Troubleshooting Tips for Windows .....   | 15 |
| 1  | Step 1 .....                             | 16 |
| 2  | Step 2 .....                             | 16 |
| 12 | TUSB9261 DEMO Board Schematic .....      | 18 |

---

## List of Figures

|   |  |    |
|---|--|----|
| 1 | Figure 1. DEMO Board Block Diagram ..... | 5  |
| 2 | Figure 2. Component Location .....       | 6  |
| 3 | Windows Troubleshooting .....            | 15 |
| 4 | Disk Management .....                    | 16 |
| 5 | Primary Partition .....                  | 16 |
| 6 | Healthy Disk Status .....                | 17 |
| 7 | Drive in Windows Explorer .....          | 17 |

## List of Tables

|   |  |    |
|---|--|----|
| 1 | Table 1. Frequency Select Map .....                  | 12 |
| 2 | Table 2. GPIO and PWM Factory Default Settings ..... | 14 |
| 3 | Link Power Status .....                              | 14 |

## TUSB9261 DEMO Board Block Diagram

Figure 1 represents the block diagram of the TUSB9261 DEMO Board. The board is designed to be powered from either a 12-V DC wall-wart (not supplied) or via USB cable power.

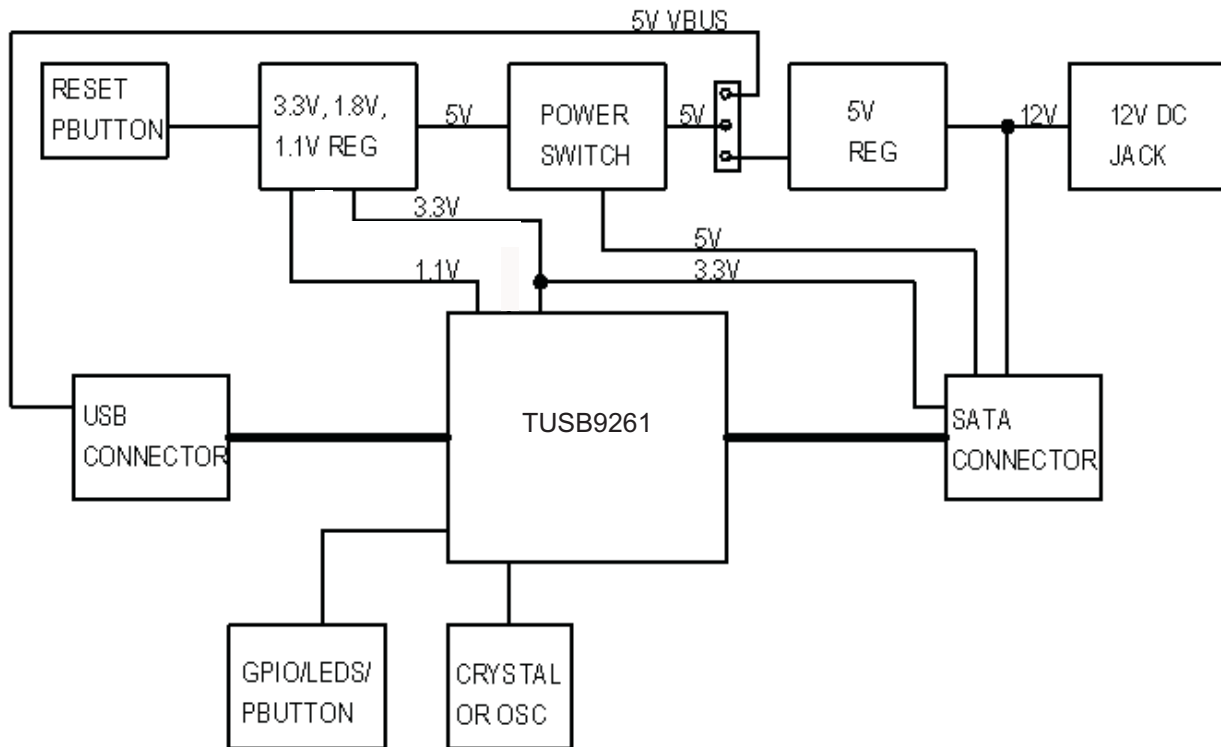


Figure 1. Figure 1. DEMO Board Block Diagram

## Component Location

Figure 2 shows the general location of major components on the TUSB9261 DEMO Board.

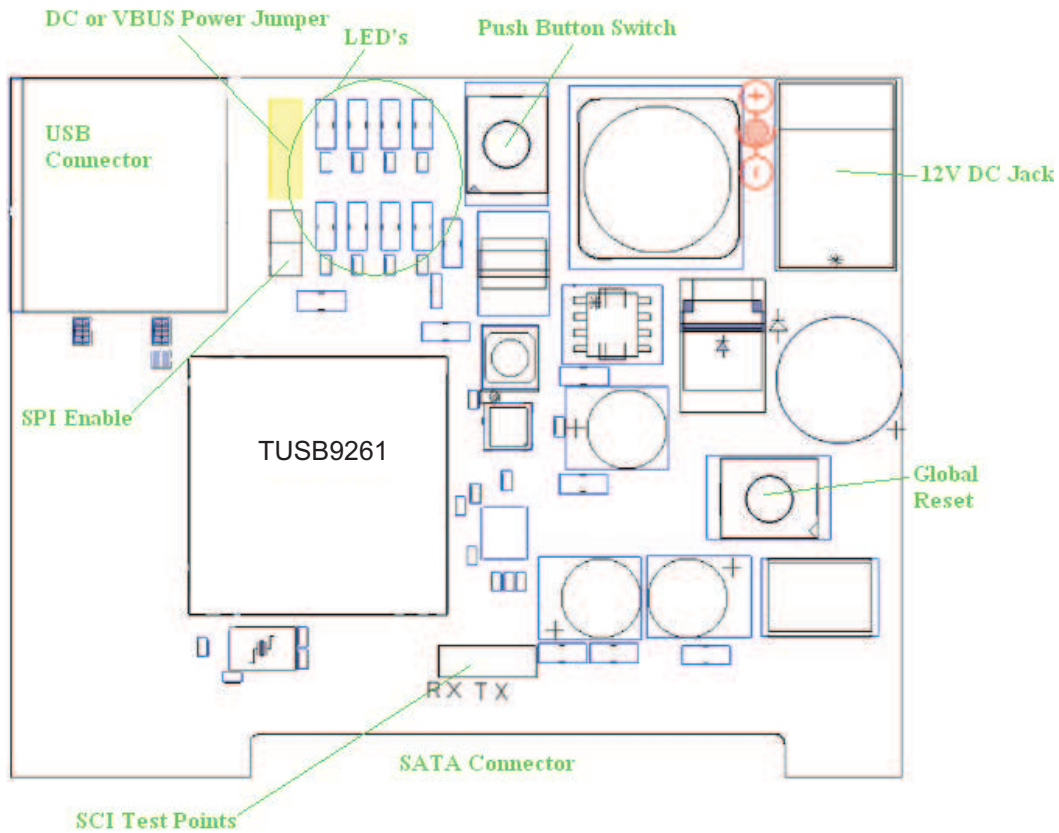


Figure 2. Figure 2. Component Location

## **12-V DC Jack**

---

---

---

The DEMO Board can operate from a standard DC jack for connecting an external 12-V wall-wart. The wall-wart should be rated for 12 V with at least a 2-A current rating. The tip of the DC jack has positive polarity. A wall-wart is not supplied with this reference design demonstration module, leaving it capable of bus power mode by default. In this mode, only Solid State Drives will work. If other higher current hard drives are to be used a wall-wart will have to be used.

## ***Cable Power vs. Self Power***

---

---

---

The DEMO Board can be configured to operate off of cable power or use the 12-V wall-wart. To configure the board to use cable power jumper J4 must have a jumper placed across pins 1 and 2. When configured for cable power mode only 5-V and 3.3-V are available at the SATA connector. Therefore only SATA devices such as SSD drives may operate in this mode.

For self power mode J4 must have a jumper placed across pins 2 and 3. In this mode any SATA device can operate since 12 V, 5 V, and 3.3 V are available at the SATA connector.



## ***Power Switch***

---

---

---

The DEMO Board uses a TI TPS2561 power switch. This switch serves two purposes. It limits the amount of in-rush current on VBUS and it allows power to the SATA connector to be switched via the TUSB9261. The switch is controlled via GPIO10 from the TUSB9261 and power faults can be monitored by GPIO11. By default the DEMO Board is configured to always apply power to the SATA connector and power faults are not monitored.

## ***3.3-V and 1.1-V Regulator***

---

---

---

The DEMO Board utilizes a TI TPS650061 regulator to power the TUSB9261 and associated circuitry.

### **1 Push Button Reset**

Connected to the TPS650061 is a push button (SW2) that can be used to reset the TUSB9261 to its default state. When pressed the global reset terminal (GRST#) on the TUSB9261 will be driven low.

The TUSB9261 supports a SPI interface connected to a SPI flash device. The flash device is used to hold the firmware for the TUSB9261.

For normal SPI operation a jumper on J13 must be populated. For reprogramming of the SPI flash device it may be necessary to temporarily remove J13. Refer to the TUSB9260 Flash Burner User Guide ([SLLU125](#)) for more information about programming the SPI flash.

## Crystal or Oscillator Support

The TUSB9261 DEMO can support either a crystal or oscillator reference clock. By default the board is configured to use a 25-MHz crystal. To use an oscillator R23 and R37 need to be populated with a 0- $\Omega$  resistor. C17 and C19 need to be de-populated. The crystal or oscillator should be rated for 1.8 V with PPM of  $\pm 100$  or better. The frequency of the clock is configurable via resistors R10-R13. [Table 1](#) shows how to populate resistors R10-R13 for desired clock frequency.

**Table 1. Table 1. Frequency Select Map**

| FREQUENCY (MHz) | R10 | R11 | R12 | R13 |
|-----------------|-----|-----|-----|-----|
| 20              |     | POP |     | POP |
| 25              | POP |     |     | POP |
| 30              |     | POP | POP |     |
| 40              | POP |     | POP |     |

## ***GPIOs/LEDs/PBUTTON***

---

---

---

### **1 GPIO LEDs**

Each GPIO is connected to an LED on the DEMO Board. The LEDs are located along the top side of the board (D1 – D8). The LEDs are for test purposes and can be used to indicate device operational states. This is firmware dependent.

### **2 PWM LEDs**

Each PWM is connected to an LED (D3 and D6) on the DEMO Board. PWM LEDs are for test purposes and can be used to indicate hard drive activity or USB activity. This is firmware dependent.

### **3 GPIO Push Button**

There is one GPIO configurable push button (SW1) on the DEMO Board. This push button is connected to GPIO3. This is firmware dependent.

## Default GPIO/PWM Configures States

Table 2 shows the factory default programmed settings for the GPIO and PWM terminals used on the PDK.

**Table 2. Table 2. GPIO and PWM Factory Default Settings**

| GPIO | LED NO. | DEFAULT FUNCTION | DESCRIPTION   |
|------|---------|------------------|---|
| 0    | D1      | SW_HB            | Software Heartbeat: Flashes to indicate firmware is executing   |
| 1    | D4      | PWR_STATE_0      | Power State bit 0 - See <a href="#">Table 3</a>   |
| 2    | D2      | HS_FS_SUSPEND#   | High Speed / Full Speed Suspend: Indicates when USB2 high speed or full speed is in the suspended state |
| 3    |         | PBUTTON#         | Push Button: Input terminal connected to active low push button   |
| 4    |         | SELF_PWR         | Bus or Self-powered indicator input - HIGH when self-powered  |
| 5    | D7      | PWR_STATE_1      | Power State bit 1 - See <a href="#">Table 3</a>   |
| 6    | D5      | HS_FS_CONNECT#   | High Speed / Full Speed Connect: Indicates when a high speed or full speed connection is established    |
| 7    | D8      | SS_CONNECT#      | SuperSpeed Connect: Indicates when a SuperSpeed connection has been established                         |
| 8    |         | UART Tx          | Debug port is not pinned out on the TUSB9261DEMO.   |
| 9    |         | UART Rx          | Debug port is not pinned out on the TUSB9261DEMO.   |
| 10   |         | SATA_EN          | Used to control power to SATA connector via option resistors R34 and R35.                               |
| 11   |         | FAULT#           | Indicates a power fault   |
| PWM  | LED NO. | DEFAULT FUNCTION | DESCRIPTION   |
| 0    | D3      | HDD_ACT#         | Disk Activity and Device ON (blink rate varies depending on USB connection speed)                       |
| 1    | D6      | MISC_LED0#       |   |

**Table 3. Link Power Status**

| GPIO1 | GPIO5 | LINK POWER STATUS   |
|-------|-------|---------------------|
| Off   | Off   | U0: Active          |
| On    | Off   | U1: Idle, fast exit |
| Off   | On    | U2: Idle, slow Exit |
| On    | On    | U3: Suspend         |

## Troubleshooting Tips for Windows

If the hard drive can be seen in Device Manager but does not show up in Windows Explorer (as seen below) you may need to partition and format the hard drive. This is typical of a new or corrupted hard drive.

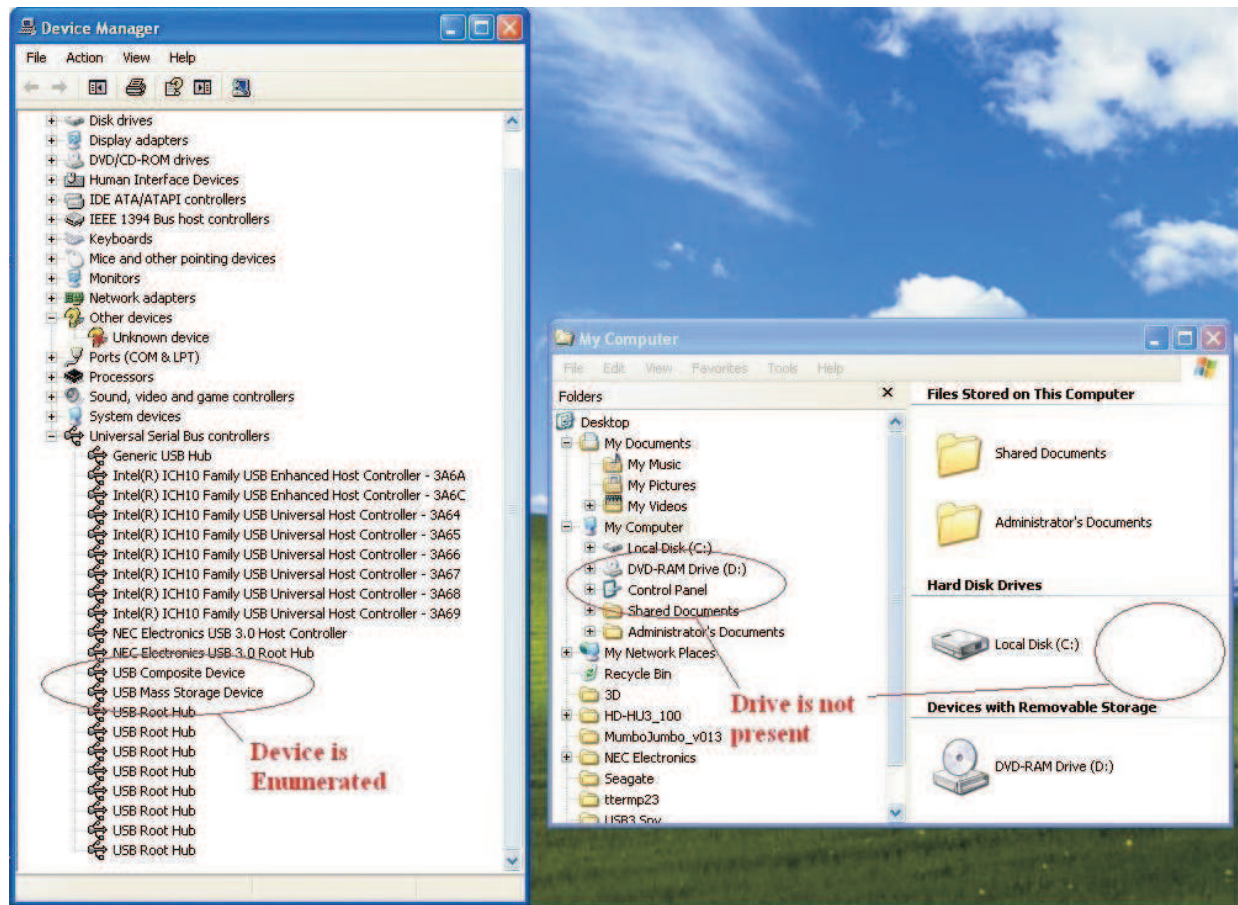


Figure 3. Windows Troubleshooting

## 1 Step 1

In the Control Panel, open Administrative Tools → Computer Management. Under Storage, click on Disk Management.

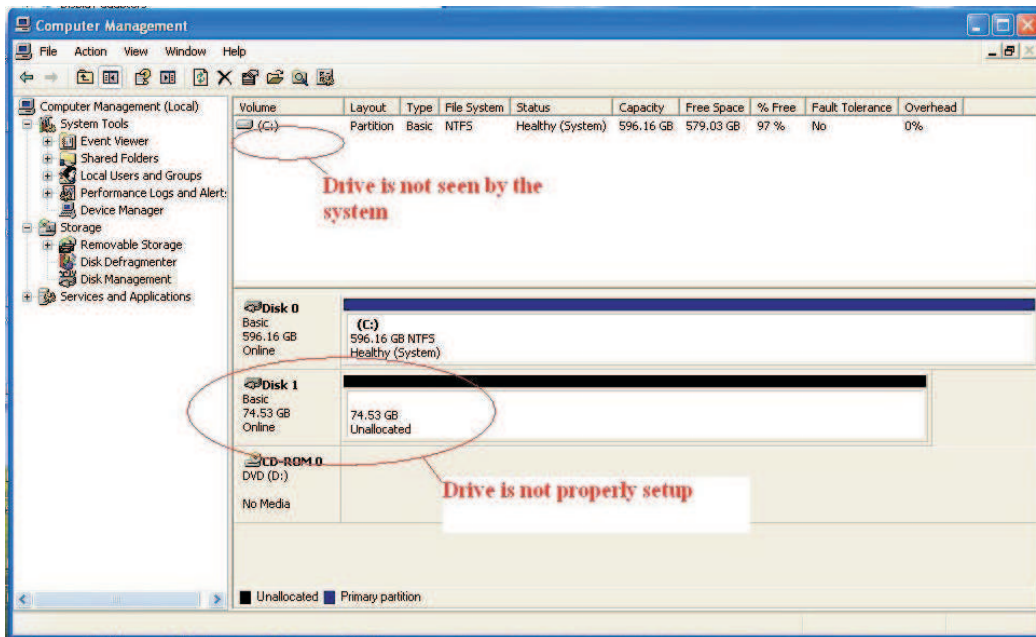


Figure 4. Disk Management

## 2 Step 2

If you can see the unallocated disk, right click and select New Partition. Follow the Wizard to create a Primary Partition. Make sure to select the “Perform Quick Format” check box.

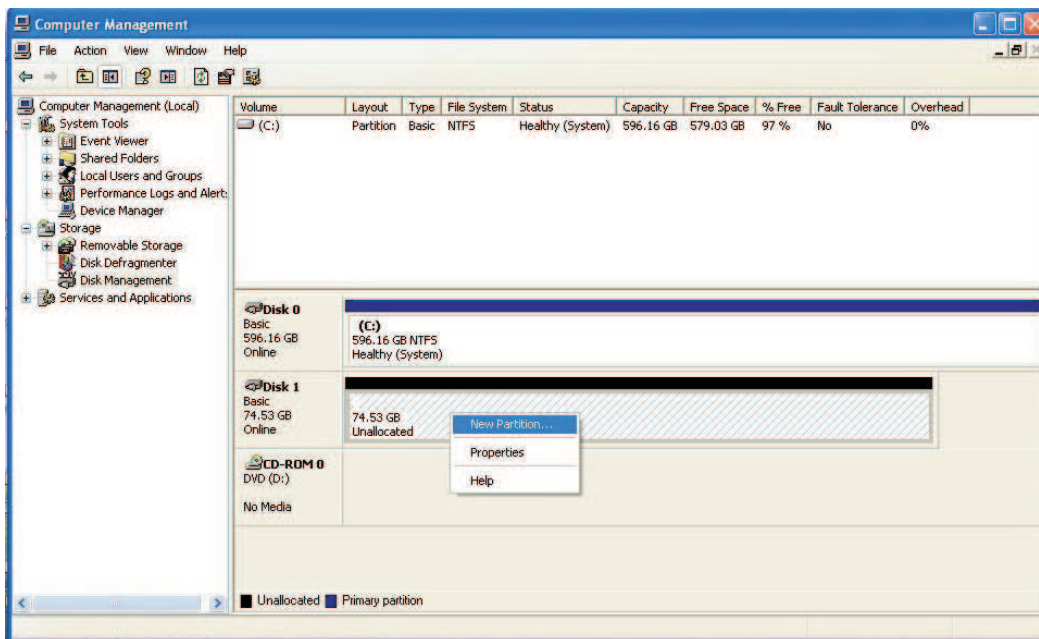


Figure 5. Primary Partition



Once the disk is properly partitioned and formatted, it will appear as Healthy.

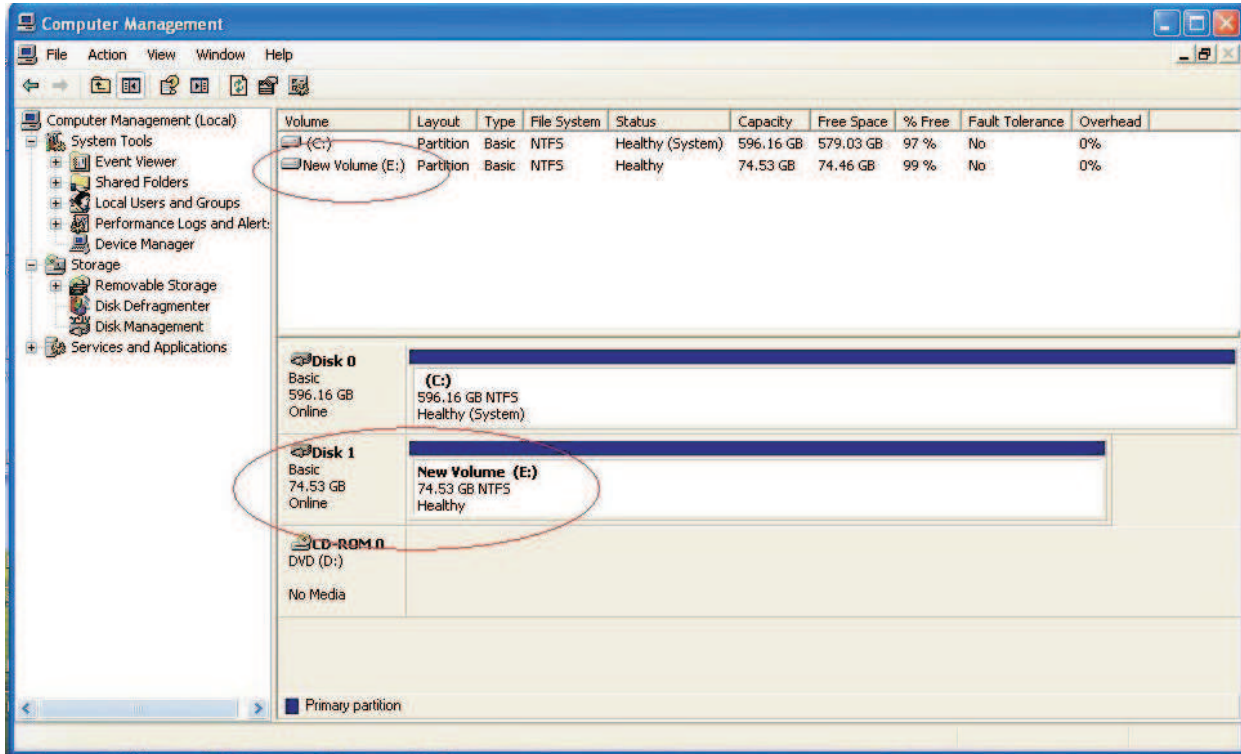


Figure 6. Healthy Disk Status

It will then appear as a drive in Windows Explorer.

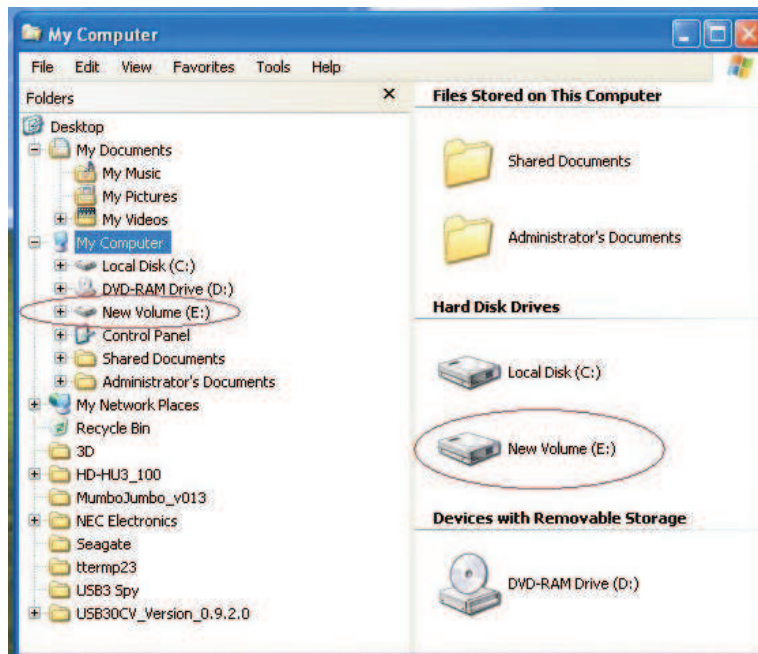


Figure 7. Drive in Windows Explorer

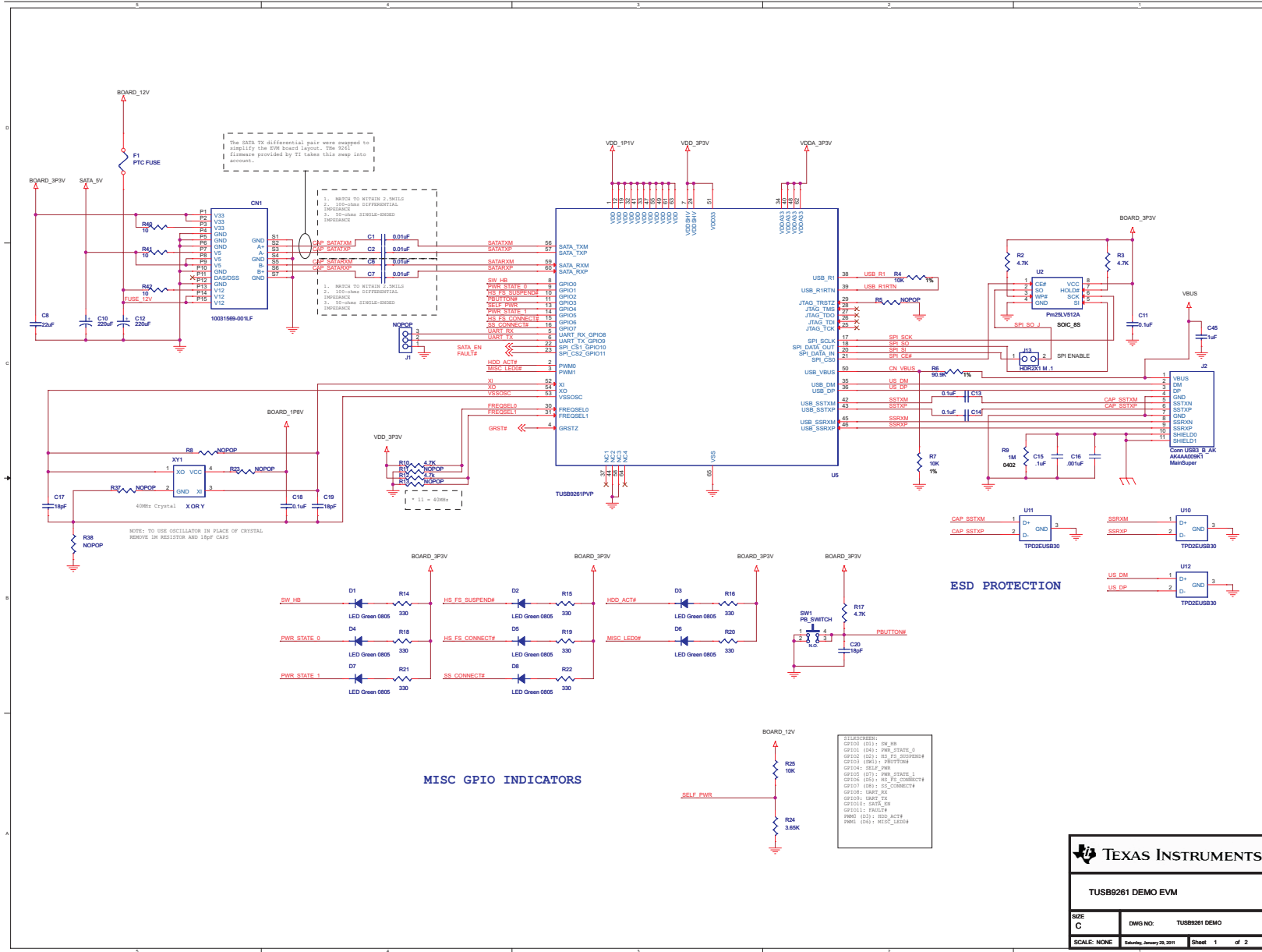
## ***TUSB9261 DEMO Board Schematic***

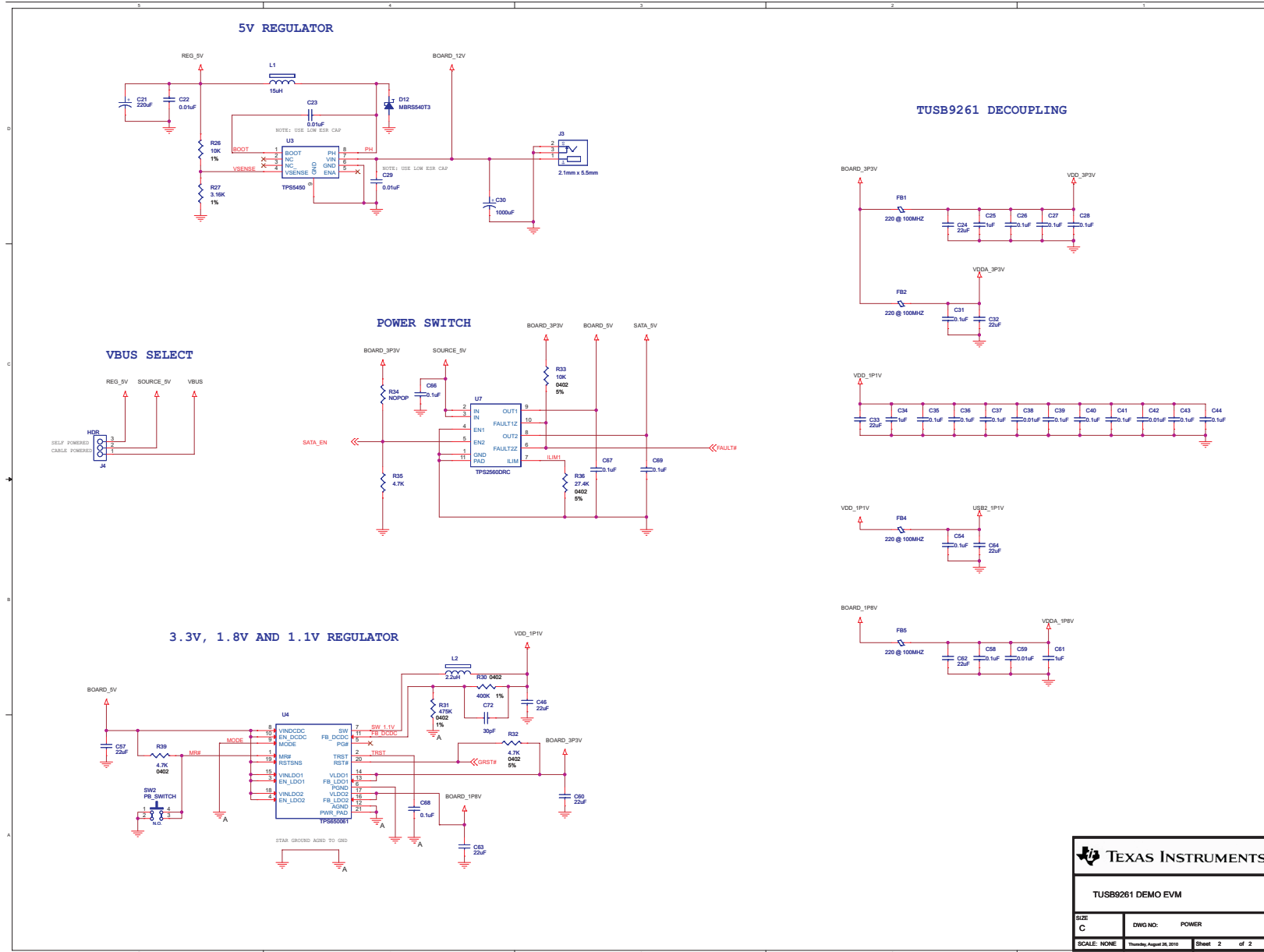
---

---

---

See following pages.





|                          |  |
|--------------------------|--|
| <b>TEXAS INSTRUMENTS</b> |  |
| TUSB9261 DEMO EVM        |  |
| SIZE<br>C                | DWG NO: POWER                          |
| SCALE: NONE              | Thursday, August 26, 2010 Sheet 2 of 2 |

## IMPORTANT NOTICE

Texas Instruments Incorporated and its subsidiaries (TI) reserve the right to make corrections, modifications, enhancements, improvements, and other changes to its products and services at any time and to discontinue any product or service without notice. Customers should obtain the latest relevant information before placing orders and should verify that such information is current and complete. All products are sold subject to TI's terms and conditions of sale supplied at the time of order acknowledgment.

TI warrants performance of its hardware products to the specifications applicable at the time of sale in accordance with TI's standard warranty. Testing and other quality control techniques are used to the extent TI deems necessary to support this warranty. Except where mandated by government requirements, testing of all parameters of each product is not necessarily performed.

TI assumes no liability for applications assistance or customer product design. Customers are responsible for their products and applications using TI components. To minimize the risks associated with customer products and applications, customers should provide adequate design and operating safeguards.

TI does not warrant or represent that any license, either express or implied, is granted under any TI patent right, copyright, mask work right, or other TI intellectual property right relating to any combination, machine, or process in which TI products or services are used. Information published by TI regarding third-party products or services does not constitute a license from TI to use such products or services or a warranty or endorsement thereof. Use of such information may require a license from a third party under the patents or other intellectual property of the third party, or a license from TI under the patents or other intellectual property of TI.

Reproduction of TI information in TI data books or data sheets is permissible only if reproduction is without alteration and is accompanied by all associated warranties, conditions, limitations, and notices. Reproduction of this information with alteration is an unfair and deceptive business practice. TI is not responsible or liable for such altered documentation. Information of third parties may be subject to additional restrictions.

Resale of TI products or services with statements different from or beyond the parameters stated by TI for that product or service voids all express and any implied warranties for the associated TI product or service and is an unfair and deceptive business practice. TI is not responsible or liable for any such statements.

TI products are not authorized for use in safety-critical applications (such as life support) where a failure of the TI product would reasonably be expected to cause severe personal injury or death, unless officers of the parties have executed an agreement specifically governing such use. Buyers represent that they have all necessary expertise in the safety and regulatory ramifications of their applications, and acknowledge and agree that they are solely responsible for all legal, regulatory and safety-related requirements concerning their products and any use of TI products in such safety-critical applications, notwithstanding any applications-related information or support that may be provided by TI. Further, Buyers must fully indemnify TI and its representatives against any damages arising out of the use of TI products in such safety-critical applications.

TI products are neither designed nor intended for use in military/aerospace applications or environments unless the TI products are specifically designated by TI as military-grade or "enhanced plastic." Only products designated by TI as military-grade meet military specifications. Buyers acknowledge and agree that any such use of TI products which TI has not designated as military-grade is solely at the Buyer's risk, and that they are solely responsible for compliance with all legal and regulatory requirements in connection with such use.

TI products are neither designed nor intended for use in automotive applications or environments unless the specific TI products are designated by TI as compliant with ISO/TS 16949 requirements. Buyers acknowledge and agree that, if they use any non-designated products in automotive applications, TI will not be responsible for any failure to meet such requirements.

Following are URLs where you can obtain information on other Texas Instruments products and application solutions:

### Products

|                             |  |
|-----------------------------|--|
| Audio                       | <a href="http://www.ti.com/audio">www.ti.com/audio</a>             |
| Amplifiers                  | <a href="http://amplifier.ti.com">amplifier.ti.com</a>             |
| Data Converters             | <a href="http://dataconverter.ti.com">dataconverter.ti.com</a>     |
| DLP® Products               | <a href="http://www.dlp.com">www.dlp.com</a>                       |
| DSP                         | <a href="http://dsp.ti.com">dsp.ti.com</a>                         |
| Clocks and Timers           | <a href="http://www.ti.com/clocks">www.ti.com/clocks</a>           |
| Interface                   | <a href="http://interface.ti.com">interface.ti.com</a>             |
| Logic                       | <a href="http://logic.ti.com">logic.ti.com</a>                     |
| Power Mgmt                  | <a href="http://power.ti.com">power.ti.com</a>                     |
| Microcontrollers            | <a href="http://microcontroller.ti.com">microcontroller.ti.com</a> |
| RFID                        | <a href="http://www.ti-rfid.com">www.ti-rfid.com</a>               |
| RF/IF and ZigBee® Solutions | <a href="http://www.ti.com/lprf">www.ti.com/lprf</a>               |

### Applications

|                               |  |
|-------------------------------|--|
| Communications and Telecom    | <a href="http://www.ti.com/communications">www.ti.com/communications</a>                 |
| Computers and Peripherals     | <a href="http://www.ti.com/computers">www.ti.com/computers</a>                           |
| Consumer Electronics          | <a href="http://www.ti.com/consumer-apps">www.ti.com/consumer-apps</a>                   |
| Energy and Lighting           | <a href="http://www.ti.com/energy">www.ti.com/energy</a>                                 |
| Industrial                    | <a href="http://www.ti.com/industrial">www.ti.com/industrial</a>                         |
| Medical                       | <a href="http://www.ti.com/medical">www.ti.com/medical</a>                               |
| Security                      | <a href="http://www.ti.com/security">www.ti.com/security</a>                             |
| Space, Avionics and Defense   | <a href="http://www.ti.com/space-avionics-defense">www.ti.com/space-avionics-defense</a> |
| Transportation and Automotive | <a href="http://www.ti.com/automotive">www.ti.com/automotive</a>                         |
| Video and Imaging             | <a href="http://www.ti.com/video">www.ti.com/video</a>                                   |
| Wireless                      | <a href="http://www.ti.com/wireless-apps">www.ti.com/wireless-apps</a>                   |

TI E2E Community Home Page

[e2e.ti.com](http://e2e.ti.com)

Mailing Address: Texas Instruments, Post Office Box 655303, Dallas, Texas 75265  
Copyright © 2011, Texas Instruments Incorporated