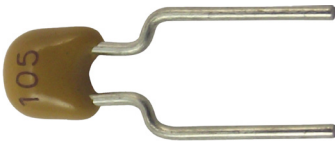
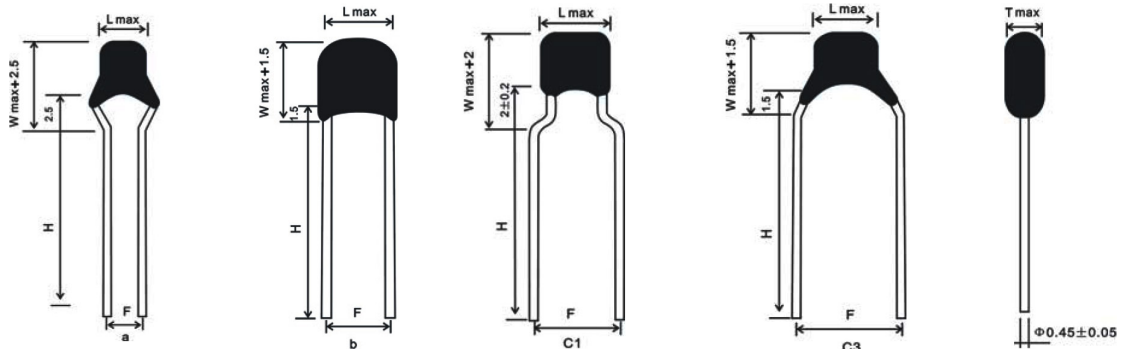


MLCC Radial Capacitors

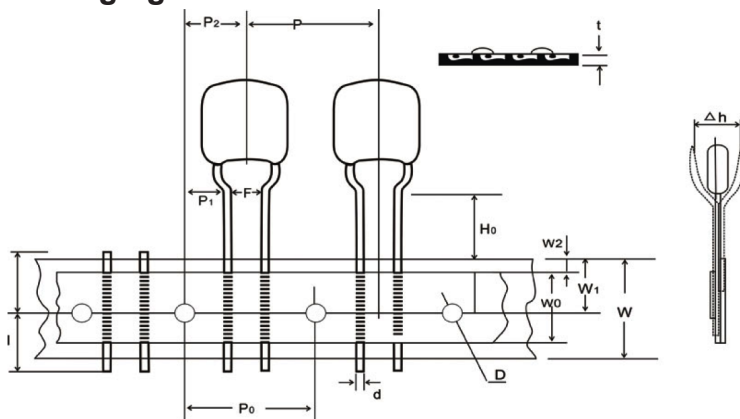


Operating Temperature	NPO	X7R	Y5V
	-55°C to +125°C	-55°C to +125°C	-25°C to +85°C



Size Code	Shape	Dimensions (mm)					Voltage	Capacitance (pF)		
		F (±0.5)	H (±1)	Lmax	Wmax	Tmax		NPO	X7R	Y5V
MC0805	a	2.54	5				25V 50V 100V	0R5 ~ 332 0R5 ~ 222 0R5 ~ 102	331~104 331~104 331~104	103~105 103~684
	b	2.54	10							
	C1	5.08	5/10	4.2	3.8	3.8				
	C2	5.08	5							
	C3	5.08	5/10							

Packaging



Description	Symbol	Dimensions (mm)	Remarks
Pitch Of Component	P	12.7 ±1	-
Feed hold Pitch	P0	12.7 ±0.3	Cumulative Pitch Error : ±1mm/20 Pitches
Feed Hold Centre To Lead	P1	3.85 ±0.7	For F : 5.08, 5.1 ±0.7, For F : 2.54

www.element14.com
www.farnell.com
www.newark.com

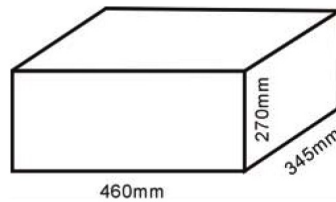
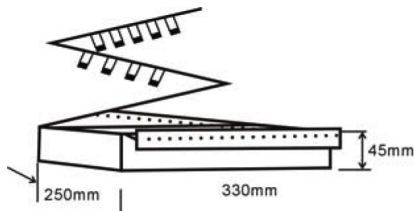


MLCC Radial Capacitors



Description	Symbol	Dimensions (mm)	Remarks
Feed Hold Centre To Component Centre	P2	8.35 ±1.3	-
Lead To Lead Spacing	F	5.08 +0.8/-0.2 or 2.5 +0.8/-0.2	To Lead Tip Within TOL
Component Alignment, F-R	ΔH	2 max.	The alignment from the centre of the lead is ±1mm
Tape Width	W	18 ±1	-
Adhesive Tape Width	W0	12 ±1	-
Hole Position	W1	9 ±0.5	-
Adhesive Tape Position	W2	3 max.	Adhesive tape must not protrude From bade paper
Lead-Wire Clinch Height	H0	15-20 ±0.5	6.5< = H0 - W1
Component Height	H1	32.25 max.	-
Feed Hole Diameter	D0	4 ±0.3	-
Total Tape Thickness	t	0.7 ±0.2	-

Ammo Packaging



Part Number Table

Description	Part Number
Capacitor, 47pF, 50V, C0G/NP0, RAD	MC0805N470J500A5.08MM
Capacitor 0.01µF, 50V, Y5V, 20%, RAD	MC0805Y103M500A5.08MM
Capacitor, 0.1µF, 50V, Y5V, RAD	MC0805Y104M500A2.54MM
Capacitor, 0.1µF, 50V, Y5V, +80, -20%, RAD	MC0805Y104Z500A5.08MM
Capacitor, 0.01µF, 50V, C0G, RAD	MC0805N103J500A5.08MM
Capacitor, 15pF, 100V, C0G, RAD D	MC0805N150J101A2.54MM
Capacitor 0.1µF, 50V, X7R, 10%, RAD	MC0805B104K500A2.54MM
Capacitor 0.33µF, 50V, X7R, 10%, RAD	MC0805B334K500A5.08MM
Capacitor 10pF 50V, C0G/NP0, 5%, RAD	MC0805N100J500A2.54MM
Capacitor 100pF 50V, C0G, 5%, RAD	MC0805N101J500A2.54MM

Important Notice : This data sheet and its contents (the "Information") belong to the members of the Premier Farnell group of companies (the "Group") or are licensed to it. No licence is granted for the use of it other than for information purposes in connection with the products to which it relates. No licence of any intellectual property rights is granted. The Information is subject to change without notice and replaces all data sheets previously supplied. The Information supplied is believed to be accurate but the Group assumes no responsibility for its accuracy or completeness, any error in or omission from it or for any use made of it. Users of this data sheet should check for themselves the Information and the suitability of the products for their purpose and not make any assumptions based on information included or omitted. Liability for loss or damage resulting from any reliance on the Information or use of it (including liability resulting from negligence or where the Group was aware of the possibility of such loss or damage arising) is excluded. This will not operate to limit or restrict the Group's liability for death or personal injury resulting from its negligence. Multicomp is the registered trademark of the Group. © Premier Farnell plc 2012.