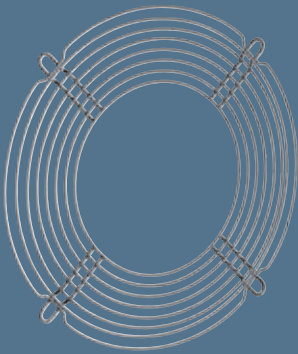


# ACmaxx guard grilles



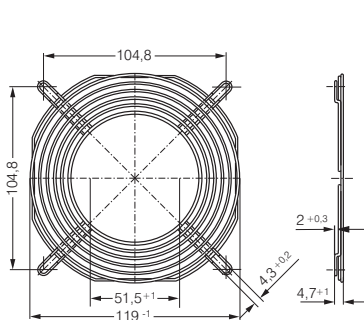
- Guard grille acc. to DIN EN ISO 13857 (previously EN 294), made of galvanised or nickel-plated and passivated steel wire for device fans.
- The guard grilles shown on this page are designed specially for ACmaxx series fans and are installed on the outlet side.

Fan series	Guard grilles
AC 8300	LZ32-4 Intake side s.P.174
AC 8300 H	LZ32-7 Outlet side
AC 3200 J	LZ23-1 Intake side s.P.174
AC 3200 J	LZ23-6 Outlet side
AC 4400 FN	LZ30-4 Intake side s.P.174
AC 4400 FN	LZ30-9 Outlet side
AC 4300	LZ30-4 Intake side s.P.174
AC 4300	LZ30-9 Outlet side
ACi 4400	LZ30 Intake side s.P.175
ACi 4400	LZ30 Outlet side s.P.175

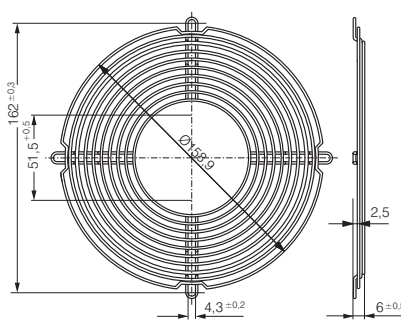
Fan series	Guard grilles
AC 6200 N	LZ37 Intake side s.P.175
AC 6200 N	LZ37-2 Outlet side
AC 6100 N	LZ37 Intake side s.P.175
AC 6100 N	* Outlet side

\*Outlet-side grilles on request

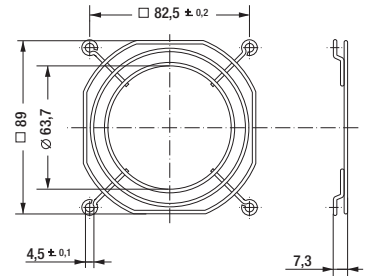
LZ30-9 Fan size 119 X 119



LZ37-2 Fan size 172 Ø X 51



LZ23-6 Fan size 92 x 92



LZ32-7 Fan size 80 x 80

