

PLEASE CHECK WWW.MOLEX.COM FOR LATEST PART INFORMATION

Part Number: [08-70-1040](#)
Status: **Active**
Overview: [SPOX™ BMI](#)
Description: 2.50mm Pitch SPOX™ Crimp Terminal, 22-28 AWG, Bag

Documents:

[Drawing \(PDF\)](#) [RoHS Certificate of Compliance \(PDF\)](#)
[Product Specification PS-5264-001 \(PDF\)](#)

General

Product Family	Crimp Terminals
Series	5263
Application	Signal
Crimp Quality Equipment	Yes
MolexKits	Yes
Overview	SPOX™ BMI
Packaging Alternative	08-70-1039 (Reel)
Product Name	SPOX™
UPC	800753534919

Physical

Gender	Female
Material - Metal	Phosphor Bronze
Material - Plating Mating	Tin
Material - Plating Termination	Tin
Net Weight	43.200/mg
Packaging Type	Bag
Plating min - Mating	0.889µm
Plating min - Termination	0.914µm
Termination Interface: Style	Crimp or Compression
Wire Insulation Diameter	1.90mm max.
Wire Size AWG	22, 24, 26, 28
Wire Size mm²	N/A

Material Info

Old Part Number 5263PBTL

Reference - Drawing Numbers

Product Specification	PS-5264-001, RPS-5263-001, RPS-5264-002, RPS-5264-004, RPS-5264-005
Sales Drawing	SD-5263-003

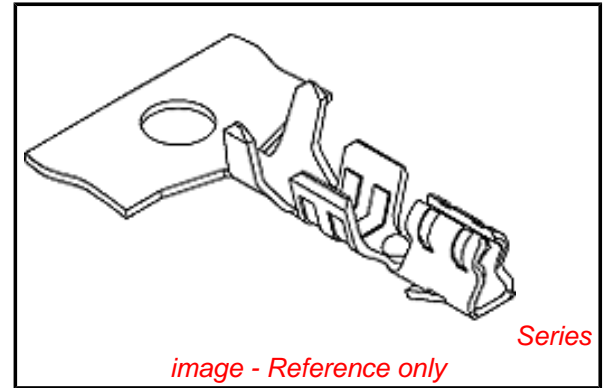


image - Reference only

EU RoHS

ELV and RoHS Compliant
REACH SVHC Contains SVHC: No
Low-Halogen Status Low-Halogen

China RoHS



Need more information on product environmental compliance?

Email productcompliance@molex.com
 For a multiple part number RoHS Certificate of Compliance, [click here](#)

Please visit the [Contact Us](#) section for any non-product compliance questions.

Search Parts in this Series

[5263Series](#)

Use With

[5264](#)

Application Tooling | FAQ

Tooling specifications and manuals are found by selecting the products below. Crimp Height Specifications are then contained in the Application Tooling Specification document.

Global

Description	Product #
-------------	-----------

Hand Crimp Tool for Crimp Terminals	0638115200
Manual Extraction Tool	0638131400

Japan

Description	Product #
-------------	-----------

Hand Crimp Tool	0011260167
JHTR5974	

This document was generated on 06/24/2013

PLEASE CHECK WWW.MOLEX.COM FOR LATEST PART INFORMATION