

# MINIATURE SWITCHES

## 6x6mm Tact Switches

- Advanced switch technology
- Positive tactile action
- Tamper proof application
- Flow solder wash-away cleaning
- Through-hole PCB, surface mount & horizontal terminals
- Square & round button styles
- Other button heights available
- Can be supplied taped for auto-insertion, add suffix /T

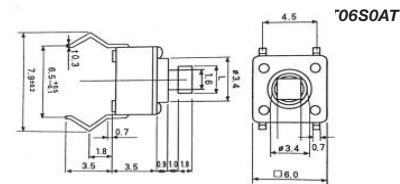
### SPECIFICATION

Rating	50mA/12VDC	
Contact resistance	100mΩ max	
Insulation strength	100MΩ min/500VDC	
Electrical life	CST06S00T	30,000 operations min
	CST06S00S	30,000 operations min
	CST06S00H	100,000 operations min
Temperature range	-10°C to +60°C	
Operating force	160 ± 70g	
Material	Case	Nylon
	Button	Nylon
	Contacts	Phosphor Bronze Silver Plated
Terminals	Brass Silver Plated	

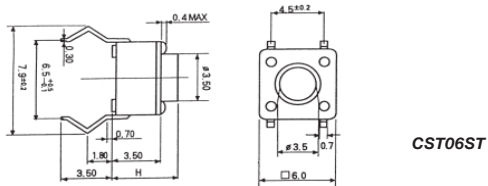
## Through-hole PCB Terminals

TYPE NO.	BUTTON HEIGHT	BUTTON SIZE
CST06S0AT	7.4mm	2.4 x 2.4mm
CST06S43T	4.3mm	ø3.4mm
CST06S05T	5mm	ø3.4mm
CST06S73T	7.3mm	ø3.4mm
CST06S08T	8mm	ø3.4mm
CST06S95T	9.5mm	ø3.4mm
CST06S13T	13mm	ø3.4mm

CST06S0AT



CST06ST

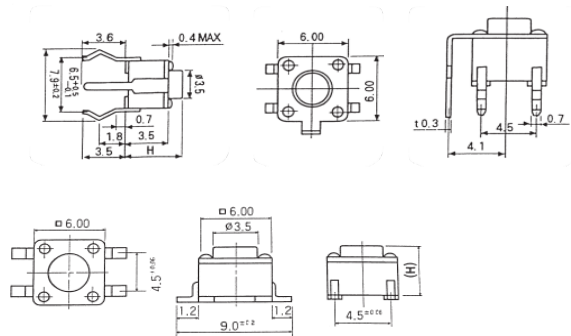


## Surface Mount Terminals

TYPE NO.	BUTTON HEIGHT
CST06S43S	4.3mm
CST06S05S	5mm
CST06S08S	8mm

Suffix /T = Tape & Reel

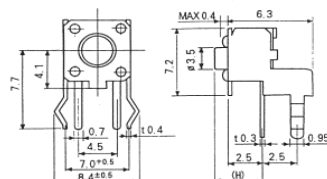
CST06SS



## Horizontal PCB Terminals

TYPE NO.	BUTTON HEIGHT
CST06S43H	4.3mm
CST06S05H	5mm
CST06S08H	8mm

CST06SH



CST06S Series Replaces CB001 Series  
 Example CST06S0AT replaces CB001A  
 Example CST06S43S replaces CB001-IFS  
 Example CST35643T replaces CB004FS



+44 (0)1638 716101  
 info@camdenboss.com  
 www.camdenboss.com

We operate a constant improvement policy,  
 our products are subject to change without notice.

Ver 1.0

**CAMDENBOSS**  
 ELECTRONICS & ENCLOSURES