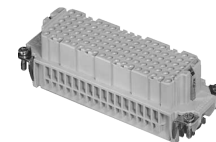


heavy|mate® - C146 DD Contact insert 108 + PE

Part No. C146 10B108 000 9

Series Heavy duty connectors heavy|mate® - C 146

Subseries Heavy duty connector heavy|mate® - C146 DD



View represents all available contact positions.

COMMON CHARACTERISTICS		
No. of contacts		108 + PE
Type of contact		Turned crimp contact
Weight male insert		86 g
Weight female insert		88 g
ELECTRICAL CHARACTERISTICS		
Rated voltage	DIN EN 60664-1 / IEC 60664-1	250 V (600 V UL / CSA)
Rated impulse voltage	DIN EN 60664-1 / IEC 60664-1	4000V
Rated current at 40°C		8 A
Voltage proof	DIN EN 60512-2, Test 4a / IEC 60512-2, Test 4a	2.000 V
Installation category	DIN EN 60664-1 / IEC 60664-1	III
Insulation group	DIN EN 60664-1 / IEC 60664-1	III b
Insulation resistance	DIN EN 60512-2, Test 3a / IEC 60512-2, Test 3a	≥ 10 ¹²
Contact resistance	DIN EN 60512-2, Test 2a / IEC 60512-2 Test 2a	< 5 m
Clearance	VDE 0627	> 2,5 mm
Creepage	VDE 0627	> 4 mm
Current carrying capacity	DIN EN 60512-3, Test 5b / IEC 60512-2 Test 5b	see derating curves
Pollution degree	DIN EN 60664-1 / IEC 60664-1	2
CLIMATICAL CHARACTERISTICS		
Climatic category	DIN EN 60068-1 / IEC 60068-1	40 / 100 / 21
Upper temperature		+ 100 °C / 1000h
Lower temperatur		- 40 °C / 16h
MECHANICAL CHARACTERISTICS		
IP degree of protection	DIN EN 60529 / IEC 60529	IP20 mated
Mechanical lifetime	IEC 60512-5; Test 9 a	≥ 500 mating cycles
MATERIALS		
Contacts		CuZn
Insert		PBT
Colour		grey
Contact plating		silver plated
FURTHER CHARACTERISTICS		
Termination		crimp
Wire gauge		0,14 - 2,5 mm ²
Flammability	UL 94	V-0



250 V, 10 A



250 V, 8,5 A
E 63093



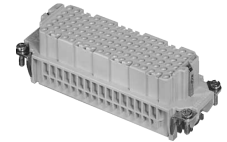
600 V, 20 A
LR 700721

heavy|mate® - C146 DD Contact insert 108 + PE

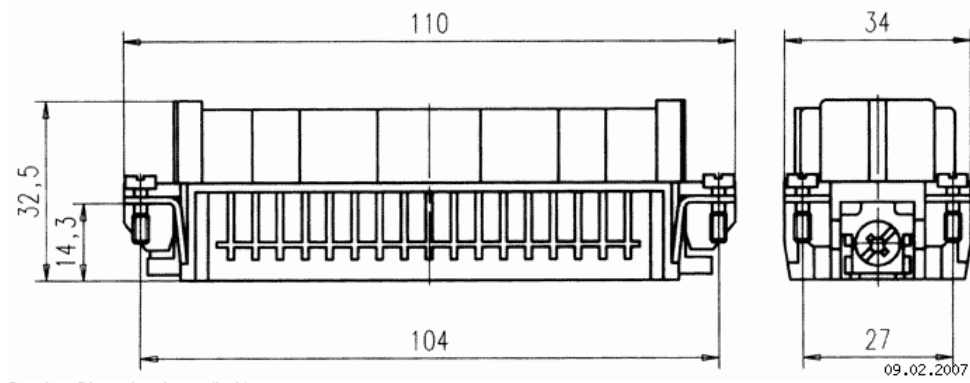
Part No. C146 10B108 000 9

Series Heavy duty connectors heavy|mate® - C 146

Subseries Heavy duty connector heavy|mate® - C146 DD



View represents all available contact positions.



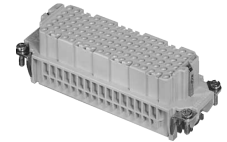
Drawing Dimensions in mm (Inch)

heavy|mate® - C146 DD Contact insert 108 + PE

Part No. C146 10B108 000 9

Series Heavy duty connectors heavy|mate® - C 146

Subseries Heavy duty connector heavy|mate® - C146 DD



View represents all available contact positions.

Stifteinsatz
Male insert

X - 4 (24 pol.)
7 (42 pol.)
12 (72 pol.)
18 (108 pol.)

Buchseinsatz
Female insert

Pol	A	B
24	35	44
42	48	57
72	69	77,5
108	95	104

Contact arrangement