

turned crimp contact, female for wire gauge 2,5mm²

Part No. VN02 025 0038 1C

Series

Subseries



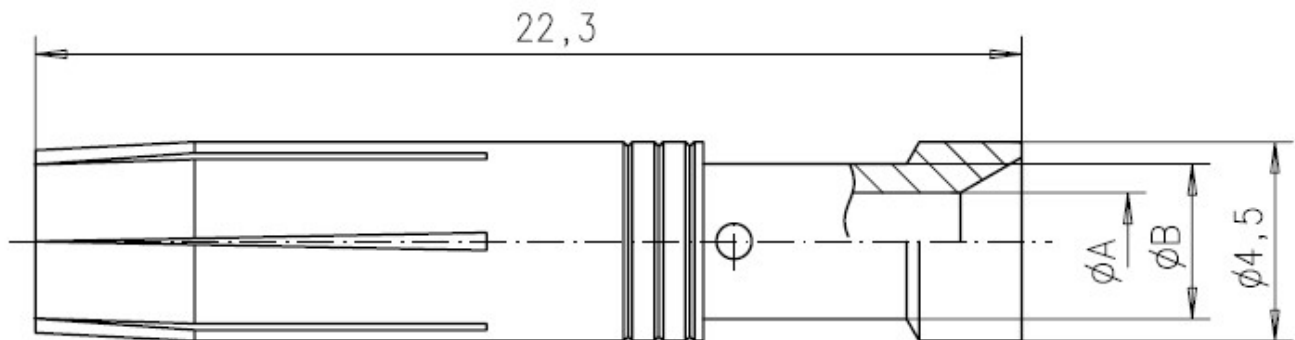
COMMON CHARACTERISTICS		
Contact diameter		2,5 mm
Wire gauge from		2,5mm ²
Wire gauge (AWG) from		14
Packaging / supplied as		Single contact
No. of pieces		100
Sex of Contact		Socket
Type of contact		Turned crimp contact
CLIMATICAL CHARACTERISTICS		
Upper temperature		+ 125 °C
Low er temperatur		- 40 °C
MECHANICAL CHARACTERISTICS		
Mechanical lifetime		500 mating cycles

turned crimp contact, female for wire gauge 2,5mm²

Part No. VN02 025 0038 1C

Series

Subseries



24.06.2013

Drawing Dimensions in mm (hch)

Warranties, Liability The information on this data sheet is provided "e:as is"e; and without warranty of merchantability or fitness for any particular purpose. While the information provided is believed to be accurate, it may include errors or inaccuracies. In no event shall Amphenol-Tuchel Electronics GmbH be liable for any special, indirect or consequential damages relating to this material, unless caused by gross negligence or law infringement. We reserve the right to change the design due to improvement in quality, development or production requirements. Copyrights © Copyright Amphenol-Tuchel Electronics GmbH, Heilbronn, Germany. All rights reserved. Amphenol-Tuchel Electronic GmbH retains copyright in the entire text and graphic content of this data sheet. Modification, distribution, reposting or making available on another server any of our web content without the written permission of Amphenol-Tuchel is not allowed. Amphenol-Tuchel Electronics GmbH • August-Haeusser-Str. 10 • 74080 Heilbronn • Germany • Phone +49 7131 929-0 • Fax +49 7131 929-486 • info@amphenol.de • www.amphenol.info