



AdaptaHorn® Grille Type Vibrating Horn

Weatherproof, NEMA Type 4X

876 & 877 Series

FEATURES

- > PLC compatible models
- > Convenient plug-in assembly
- > Corrosion resistant finish
- > Completely assembled
- > Volume adjustable
- > NEMA 4X enclosure

AGENCY APPROVALS

- > UL Listed
- > FM Approved

SPECIFICATIONS

- > Operating range: -20% to +10% of nominal voltage

876 AC Series

- > Adjustable output: 78 to 103 dB
- > 400 hour rating at 50% duty cycle

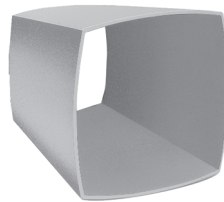
877 DC Series

- > Adjustable output: 78 to 101 dB
- > 200 hour rating

The Edwards 876 AC & 877 DC Series are low-current, high decibel, vibrating horns for heavy-duty use and is UL listed to NEMA 4X enclosure requirements. The die-cast weatherproof box has a durable, corrosion resistant, electrostatic heat flowed powder epoxy gray finish. May be used for indoor applications.

Mount on conduit or to any flat surface. A hole on the top has been drilled and tapped for 3/4" (19mm) - 14 NPT conduit. Knockouts are located on the bottom and rear of the unit.

Used where a distinctive, urgent signal is required for outdoor or weatherproof requirements such as: timing scheduling, paging, general alarm, personnel warning, and emergency evacuations.



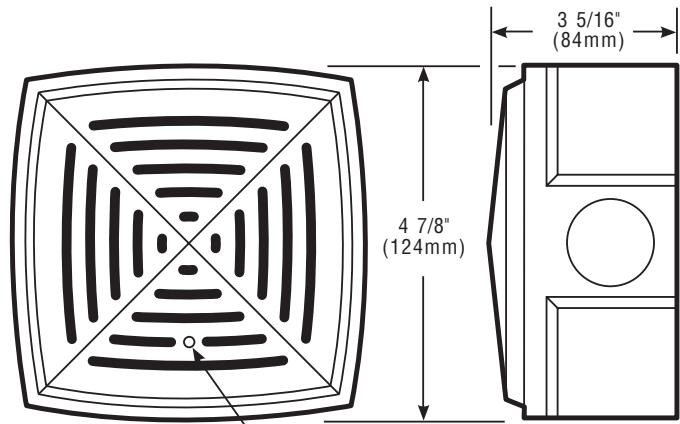
**872-PO Plastic Projector
AdaptaHorn Accessory**

Plastic projector snaps onto any AdaptaHorn. Available as separate item.

D-04



TECHNICAL INFORMATION



Volume adjustment set screw
1/16" (2mm) allen wrench supplied

Cat. No.	Volts	Amps	V A	DC coil Res. (Ohms)	dB at 10 Ft.
876-E5	12V AC	1.25	15	1.5	103
876-G5	24V AC	.63	15.1	5.2	
876-N5[†]	120V AC	.13	15.6	150	
876-R5	240V AC	.07	16.8	580	
877-E1	12V DC	.27	3.2	6	101
877-G1	24V DC	.16	3.8	24	
877-J1	32V DC	.13	4.2	40	
877-K1	48V DC	.07	3.5	96	
877-P1	125V DC	.025	3.1	600	

[†] Diode polarized version available in red. Order 886D-N5

PLC COMPATIBILITY - SIGNAL INPUT LOAD CHARACTERISTICS*

Cat. No.	Operating voltage Volts	Max. off state leakage current mA	Continuous on current mA	Surge (inrush/duration) Amps/milliseconds
876-N5	120V AC	25	120	1.02/.000026
877-G1	24V DC	25	150	1.7/.000042

*This device is PLC compatible and may be operated by PLCs with output characteristics that match the input load requirements of this signal.

Electromechanical devices can produce transient spikes and should only be used on PLC output cards that have inherent transient spike suppression. Consult the PLC manufacturer prior to connecting 24V DC electromechanical devices to PLCs.