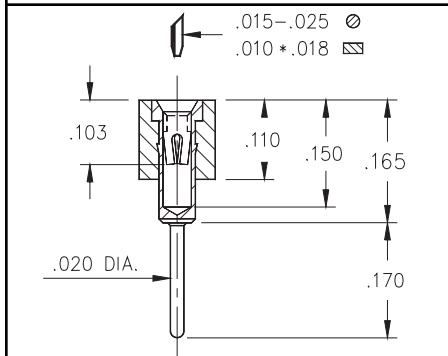


**Fig. 1**

- SIP sockets accept .015 - .025" diameter pins and standard IC leads.
- Various solder tails available: standard length, long for multi-layer boards, very low and ultra low profile. See Mill-Max #1001, 0134, 0501 or 1534 pins (pages 130, 131, 134) for details.
- Hi-Rel, 4-finger BeCu #12 & #30 clips rated at 3 amps. See pages 207 & 208 for details.



**Ordering Information**



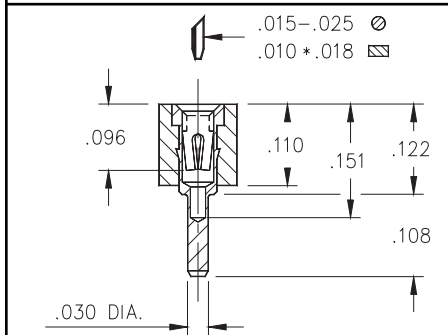
**Fig. 2**

**Fig. 1**

**Series 310...001 Standard Solder Tail**

310-XX-1\_\_-41-001000

Specify # of pins → 01-64



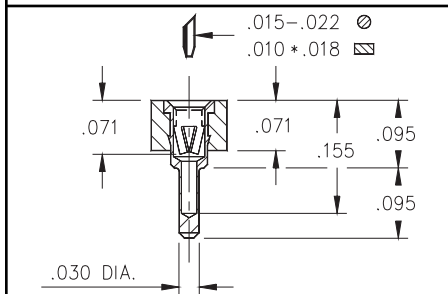
**Fig. 3**

**Fig. 2**

**Series 311...001 Long Solder Tail**

311-XX-1\_\_-41-001000

Specify # of pins → 01-64



**Fig. 4**

**Fig. 3**

**Series 315...001 Very Low Profile**

315-XX-1\_\_-41-001000

Specify # of pins → 01-64

**Fig. 4**

**Series 315...003 Ultra Low Profile**

315-XX-1\_\_-41-003000

Specify # of pins → 01-64

**XX=Plating Code See Below**

*For RoHS compliance, select  $\diamond$  plating code. For the all gold option (XX=13) also change part number from 31X-XX-1XX-41-00X000 to 31X-13-1XX-41-00X100*



SPECIFY PLATING CODE XX=	13 $\diamond$	93	99	43 $\diamond$	44 $\diamond$
Sleeve (Pin)	10 $\mu$ " Au	200 $\mu$ " Sn/Pb	200 $\mu$ " Sn/Pb	200 $\mu$ " Sn	200 $\mu$ " Sn
Contact (Clip)	30 $\mu$ " Au	30 $\mu$ " Au	200 $\mu$ " Sn/Pb	30 $\mu$ " Au	200 $\mu$ " Sn