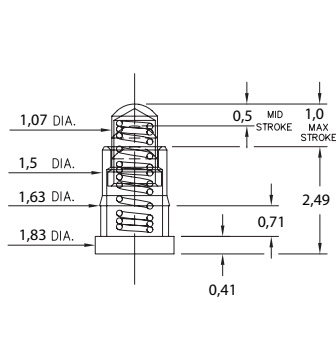
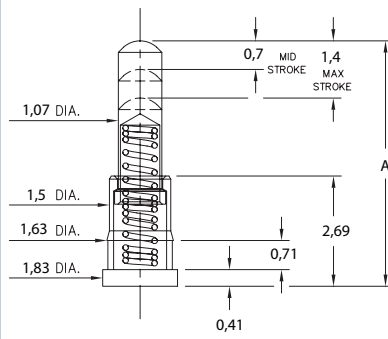


0900-0



0900-0-00-00-00-00-11-0
Short stroke, Surface mount
Lowest profile

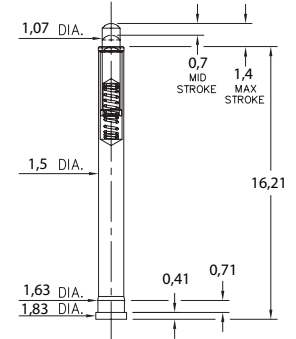
0900-1⇒4



0900-X-00-00-00-00-11-0
Standard stroke, Surface mount
Low profile

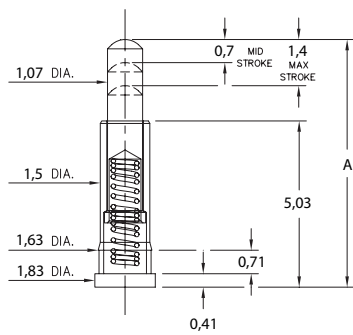
Basic Part Number	Length A
0900-1	4,5
0900-2	5,0
0900-3	5,51
0900-4	5,99

0905



0905-0-00-00-00-00-11-0
Standard stroke, Surface mount
Highest Profile

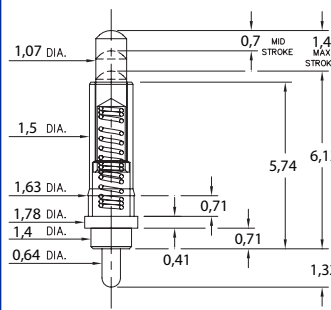
0907-X



0907-X-15-20-75-14-11-0
Standard stroke, Surface mount
High profile

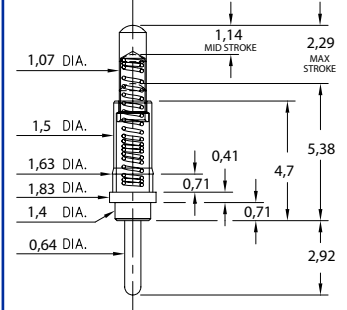
Basic Part Number	Length A
0907-0	6,48
0907-1	6,99
0907-2	7,49
0907-3	8,0
0907-4	8,51
0907-5	8,89
0907-6	9,4
0907-7	9,91
0907-8	10,41
0907-9	10,92

0901



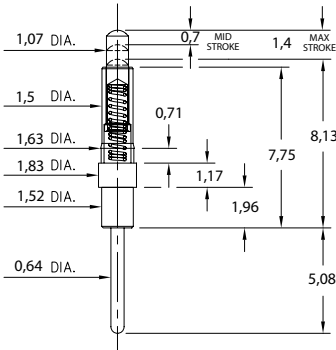
0901-0-00-00-00-00-11-0
Standard stroke
Solder mount in 0,69 min. mounting hole

0914



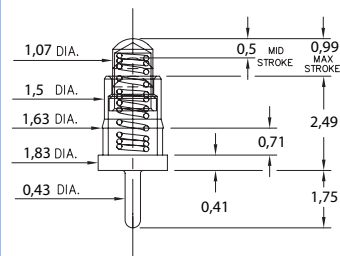
0914-0-15-20-77-14-11-0
Long stroke.
Solder mount in 0,69 min. mounting hole

0922



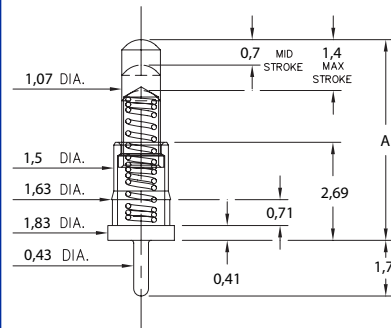
0922-0-15-20-75-14-11-0
Standard stroke
Solder mount in 0,69 min. mounting hole

0906-0



0906-0-15-20-76-14-11-0
Short stroke
Solder mount in 0,46 min. mounting hole

0906-1⇒4



0906-X-15-20-75-14-11-0
Standard stroke
Solder mount in 0,46 min. mounting hole

Basic Part Number	Length A
0906-1	4,5
0906-2	5,0
0906-3	5,51
0906-4	5,99

SPECIFICATIONS

SLEEVE & PLUNGER MATERIAL: Copper Alloy
SPRING MATERIAL: Beryllium Copper
CURRENT RATING: 2A continuous, 3A peak
CONTACT RESISTANCE: 20mΩ max.
DURABILITY: 1,000,000 cycles min.
PART MANUFACTURED IN INCHES, METRIC FOR REF ONLY
TOLERANCES ON:
 LENGTHS: ± 0,13
 DIAMETERS: ± 0,05
 ANGLES: ± 2°

ORDER CODE: XXXX - X - 15 - 20 - 7X - 14 - 11 - 0

BASIC PART # →
SLEEVE & PLUNGER FINISH:
 20 0,51µm GOLD OVER NICKEL

SPRING FINISH:
 140,25µm GOLD OVER NICKEL

SPRING
 75 Standard Stroke (1,4): } 25 grams@min stroke
 76 Short Stroke (0,99): } 60 grams@mid stroke
 77 Long Stroke (2,29): } 95 grams@max stroke

