

eco|mate Female receptacle, No. of contacts 6 + PE, 250 V

Part No. C016 30G006 100 12

Series Circular Connectors eco|mate

Subseries Circular Connector eco|mate



View represents all available contact positions.

| COMMON CHARACTERISTICS | | |
|--------------------------------|--|--------------------------|
| No. of contacts | | 6 + PE |
| Cable diameter | | 6-12.5 mm |
| ELECTRICAL CHARACTERISTICS | | |
| Rated voltage | DIN EN 60664-1 / IEC 60664-1 | 250 V |
| Rated impulse voltage | DIN EN 60664-1 / IEC 60664-1 | 4000V |
| Installation category | DIN EN 60664-1 / IEC 60664-1 | III |
| Insulation group | DIN EN 60664-1 / IEC 60664-1 | II |
| Insulation resistance | DIN EN 60512-2, Test 3a / IEC 60512-2, Test 3a | ≥ 10 ⁸ |
| Contact resistance | DIN EN 60512-2, Test 2a / IEC 60512-2 Test 2a | ≤ 5 m |
| Current carrying capacity | DIN EN 60512-3, Test 5b / IEC 60512-2 Test 5b | 10 A / + 55 °C |
| Pollution degree | DIN EN 60664-1 / IEC 60664-1 | 3 |
| CLIMATICAL CHARACTERISTICS | | |
| Climatic category | DIN EN 60068-1 / IEC 60068-1 | 40 / 125 / 56 |
| Operating temperature | | -40°C ... +125°C |
| MECHANICAL CHARACTERISTICS | | |
| IP degree of protection | DIN EN 60529 / IEC 60529 | IP 67 / IP 65 |
| Insertion and withdrawal force | DIN EN 60512-13-2, Test 13b / IEC 60512-13-2, Test 13b | ≤ 30 N |
| Mechanical lifetime | | ≥ 500 mating cycles |
| MATERIALS | | |
| Insert | | Polyamid (PA 6 / PA 6.6) |
| Colour | | black |
| Contact plating | | silver plated |
| Housing | | Polyamid (PA 6 / PA 6.6) |
| Gasket | | Neoprene |
| FURTHER CHARACTERISTICS | | |
| Termination | | solder |
| Wire gauge | | 0,75 mm ² |
| Flammability | UL 94 | V-0 |
| Locking | | screw |



1781, 1780



E63093



48932



00.0394

eco|mate Female receptacle, No. of contacts 6 + PE, 250 V

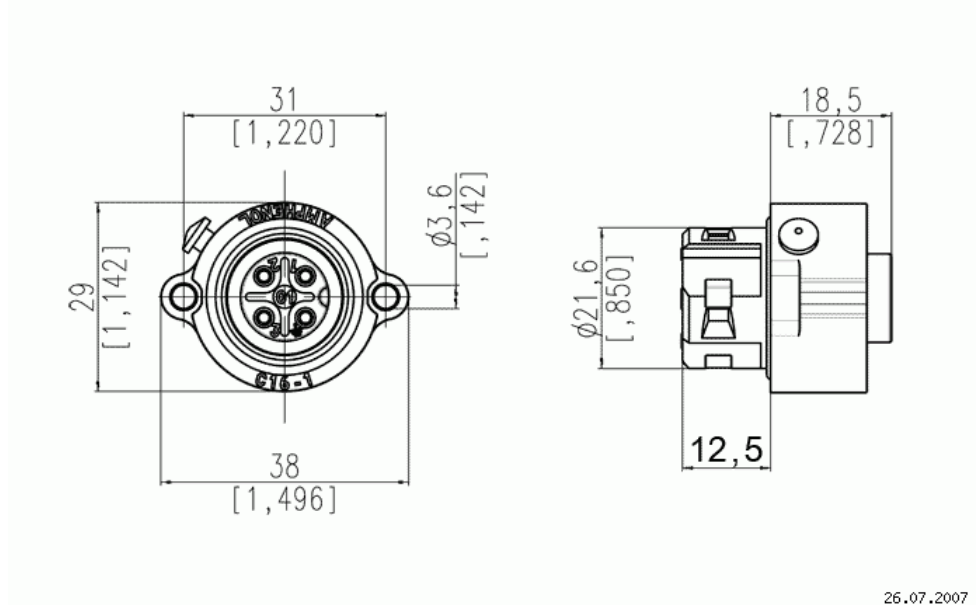
Part No. C016 30G006 100 12

Series Circular Connectors eco|mate

Subseries Circular Connector eco|mate



View represents all available contact positions.



Drawing Dimensions in mm (Inch)

26.07.2007

eco|mate Female receptacle, No. of contacts 6 + PE, 250 V

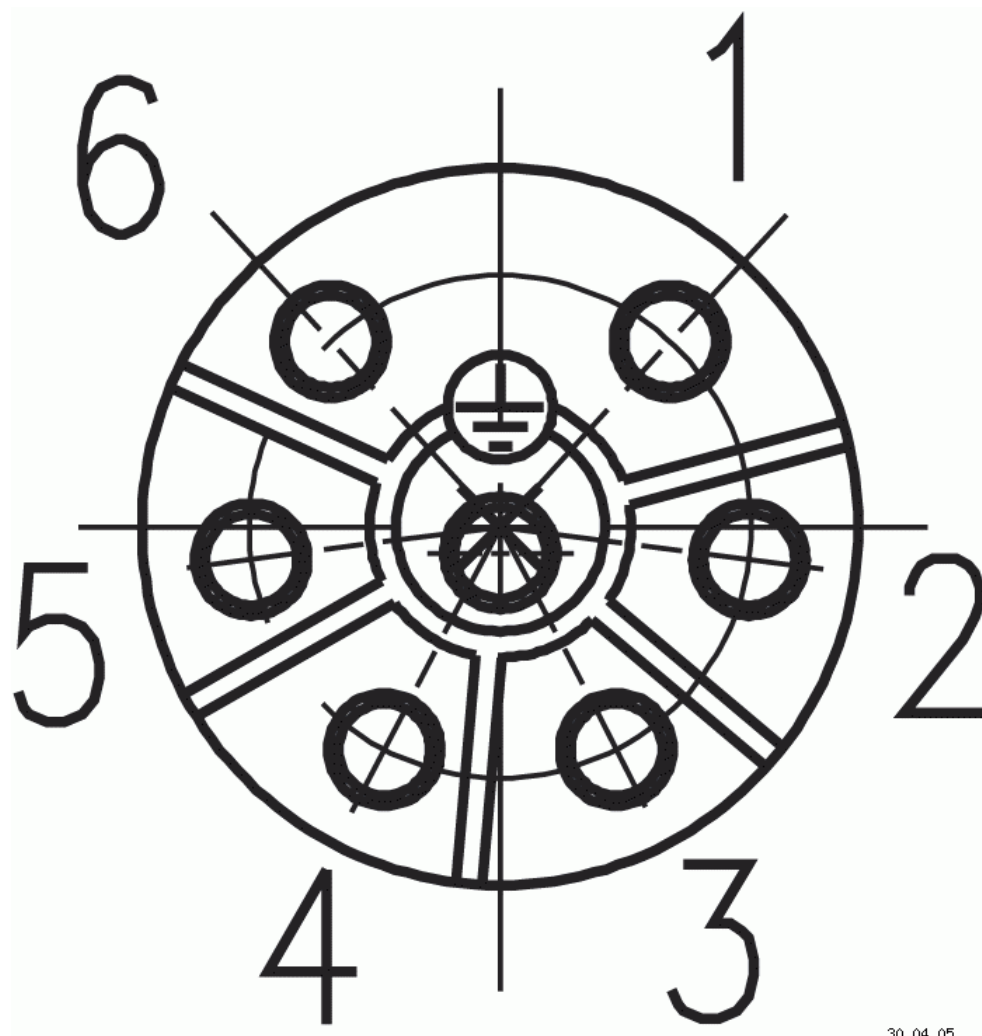
Part No. C016 30G006 100 12

Series Circular Connectors eco|mate

Subseries Circular Connector eco|mate



View represents all available contact positions.



Contact arrangement

30.04.05

eco|mate Female receptacle, No. of contacts 6 + PE, 250 V

Part No. C016 30G006 100 12

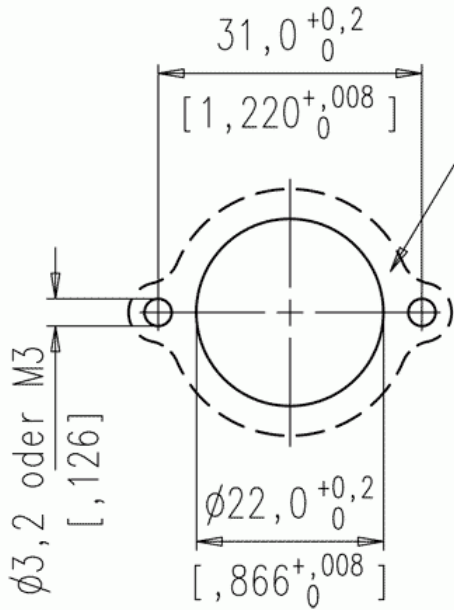
Series Circular Connectors eco|mate

Subseries Circular Connector eco|mate



View represents all available contact positions.

Mounting Cut-Out / Montageausschnitt



**For sealing reasons
this surface needs to be
level and free of burrs**

**Dichtfläche in diesem
Bereich eben und
gratfrei**