

heavy|mate® - C146 A Contact insert screw termination, male insert



Part No. C146 10A016 002 4

Series Heavy duty connectors heavy|mate® - C 146

View represents all available contact positions.

Subseries Heavy duty connector heavy|mate® - C146 A

| COMMON CHARACTERISTICS | | |
|----------------------------|--|----------------------------|
| No. of contacts | | 16 + PE |
| Weight male insert | | 68 g |
| Weight female insert | | 73 g |
| ELECTRICAL CHARACTERISTICS | | |
| Rated voltage | DIN EN 60664-1 / IEC 60664-1 | 250V |
| Rated impulse voltage | DIN EN 60664-1 / IEC 60664-1 | 4000V |
| Rated current at 40°C | | 14 A |
| Voltage proof | DIN EN 60512-2, Test 4a / IEC 60512-2, Test 4a | 2.800 V |
| Installation category | DIN EN 60664-1 / IEC 60664-1 | III |
| Insulation group | DIN EN 60664-1 / IEC 60664-1 | III b |
| Insulation resistance | DIN EN 60512-2, Test 3a / IEC 60512-2, Test 3a | $\geq 10^{12}$ |
| Contact resistance | DIN EN 60512-2, Test 2a / IEC 60512-2 Test 2a | ≤ 5 m |
| Current carrying capacity | DIN EN 60512-3, Test 5b / IEC 60512-2 Test 5b | see derating curves |
| Pollution degree | DIN EN 60664-1 / IEC 60664-1 | 3 |
| CLIMATICAL CHARACTERISTICS | | |
| Climatic category | DIN EN 60068-1 / IEC 60068-1 | 40 / 100 / 21 |
| Upper temperature | | + 100 °C / 1000 h |
| Lower temperatur | | - 40 °C / 16 h |
| MECHANICAL CHARACTERISTICS | | |
| IP degree of protection | DIN EN 60529 / IEC 60529 | IP20 mated |
| Mechanical lifetime | IEC 60512-5; Test 9 a | ≥ 500 mating cycles |
| MATERIALS | | |
| Contacts | | CuZn |
| Insert | | PBT |
| Contact plating | | silver plated |
| FURTHER CHARACTERISTICS | | |
| Termination | | screw |
| Wire gauge | | 0,25 - 2,5 mm ² |



250 V, 10 A



250 V, 14 A



600 V, 10 A
16 A
20 A

heavy|mate® - C146 A Contact insert screw termination, male insert

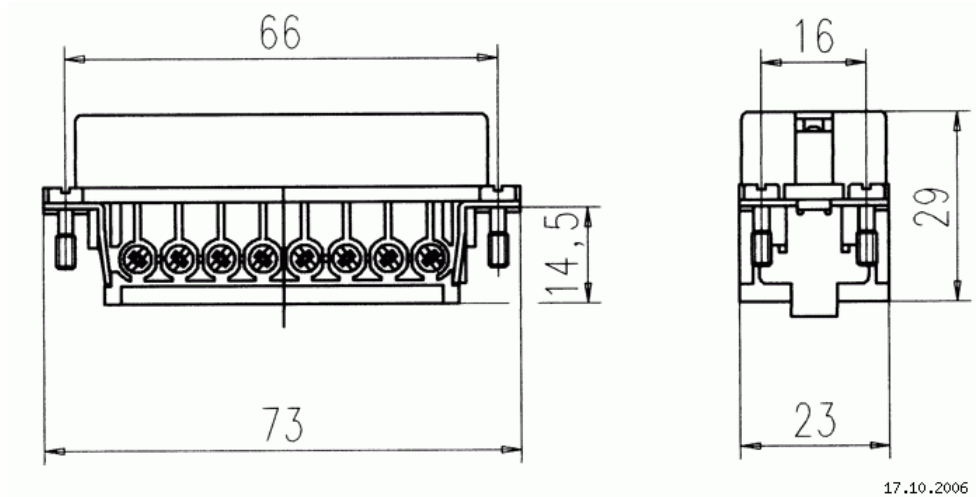
Part No. C146 10A016 002 4

Series Heavy duty connectors heavy|mate® - C 146

Subseries Heavy duty connector heavy|mate® - C146 A



View represents all available contact positions.



Drawing Dimensions in mm (Inch)

17.10.2006

heavy|mate® - C146 A Contact insert screw termination, male insert

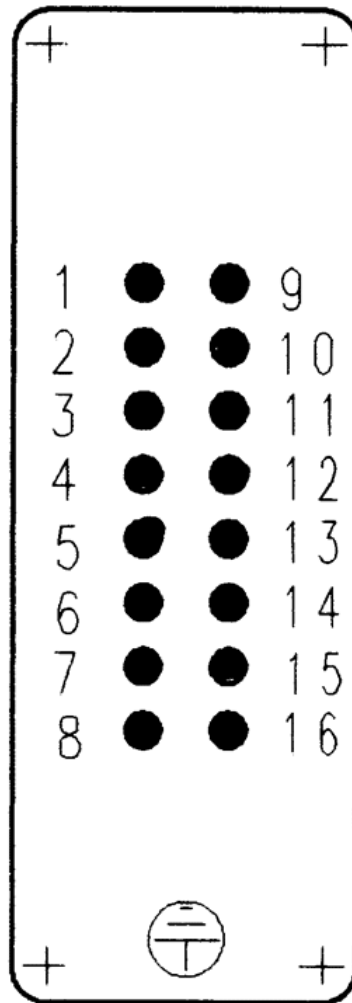
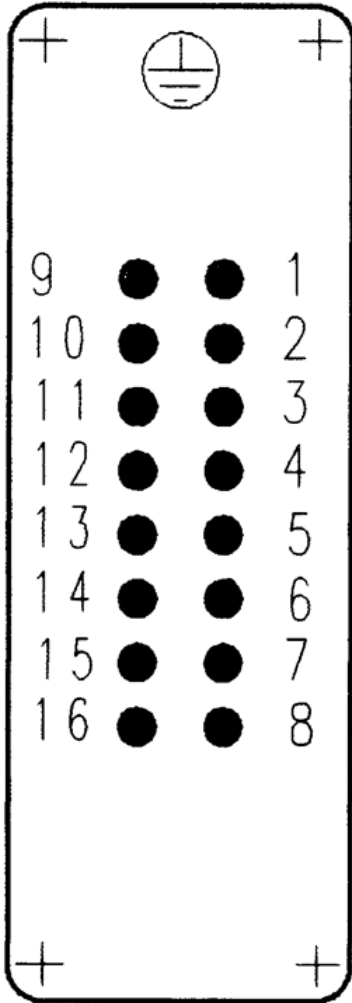
Part No. C146 10A016 002 4

Series Heavy duty connectors heavy|mate® - C 146

Subseries Heavy duty connector heavy|mate® - C146 A



View represents all available contact positions.



Contact arrangement