

heavy|mate® - C146 Housings Hood

Part No. C146 10G003 500 4

Series Heavy duty connectors heavy|mate® - C 146

Subseries Heavy duty connector heavy|mate® - C146 Housings



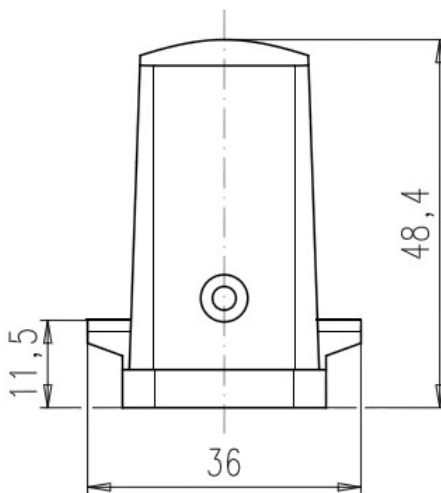
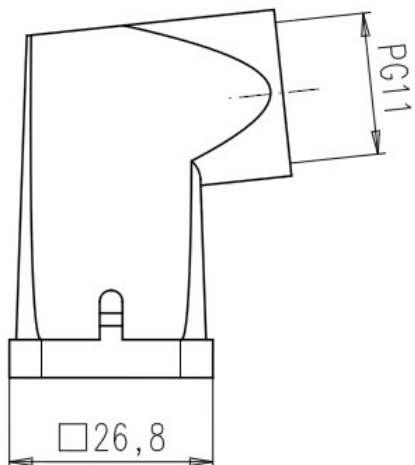
COMMON CHARACTERISTICS		
Cable entry		Side
IP degree of protection		IP 65
Thread		PG 11
Housing type		Hood
Insert type		Hood
Protective cover		PA
ELECTRICAL CHARACTERISTICS		
Contact resistance	DIN EN 60512-2-1, Test 2a / IEC 60512-2-1, Test 2a	0 m
CLIMATICAL CHARACTERISTICS		
Temperature range		-40 °C / + 100 °C
Upper temperature		+ 100 °C / 1000 h
Lower temperatur		-40 °C / 16 h
MECHANICAL CHARACTERISTICS		
Mechanical lifetime (standard)		IEC 60512-5; Test 9 a
MATERIALS		
Gasket		NBR
Locking		1 locking lever
Dielectric material		special surface

heavy|mate® - C146 Housings Hood

Part No. C146 10G003 500 4

Series Heavy duty connectors heavy|mate® - C 146

Subseries Heavy duty connector heavy|mate® - C146 Housings



Drawing Dimensions in mm (Inch)

11.01.2013