

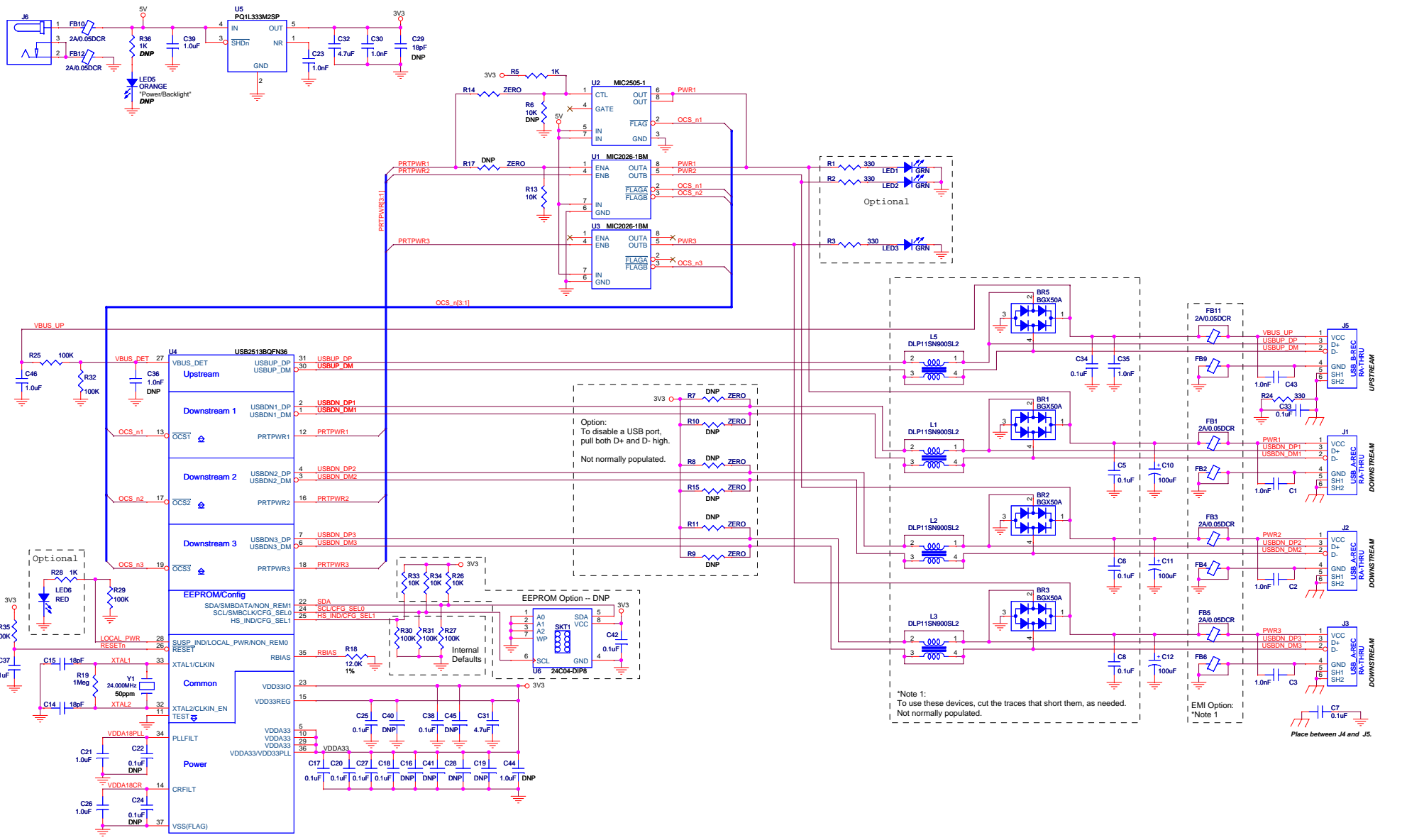
EVB-USB2513BC

Customer Evaluation Design for USB2513B,
QFN36 package

Self-powered, 3-port USB 2.0 HUB, low-cost,
Basic feature set PLUS Support for Battery Charging

Revision History

Revision	Date	Revision Summary	Author
01A	20090305	Initial schematic - from EVB-USB2514QFN36_B	C. Johnson
02A	20090309	Reduced # of cap footprints per VDD18 pin to 2, shorted around optional EMI and ESD devices, changed port disable resistors to 0ohm, grouped and indicated EMI and ESD optional devices, added BC test options for all ports.	C. Johnson
A	20090310	Renumbered & released.	C. Johnson
A01	20091012	Re-drew with updated symbols.	C. Johnson

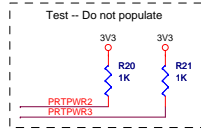


Option:
 To disable a USB port, pull both D+ and D- high.
 Not normally populated.

*Note 1:
 To use these devices, cut the traces that short them, as needed.
 Not normally populated.

EMI Option:
 *Note 1

Place between J4 and J5.



SMSC SUCCESS BY DESIGN

SMSC - Austin
 10800-B Stonehike Blvd.
 Austin, TX 78759
 512.502.0070

Title: Evaluation Board for USB2513 with Battery Charging Support
 Part Number: EVB-USB2513BC
 Size: C Project Name: BobbyBC Rev: 1.01
 Date: Thursday, February 18, 2010 1 Sheet 2 of 2