

Miniature Toggle Switch



**RoHS
Compliant**



Specifications:

Electrical Life : 40,000 make-and-break cycles at full load
 Contact Resistance : 10mΩ maximum initial at 2 to 4V DC,
 100mA for both silver and gold plated contacts
 Dielectric Strength : 1,000Vrms at sea level
 Operating Temperature : -30°C to +85°C

Materials:

Case : Diallyl Phthalate (DAP)
 Actuator : Brass, Chrome Plated
 Bushing : Brass, Nickel Plated
 Housing : Stainless Steel
 Terminal/Contact : Silver or Gold Plated

Rating:

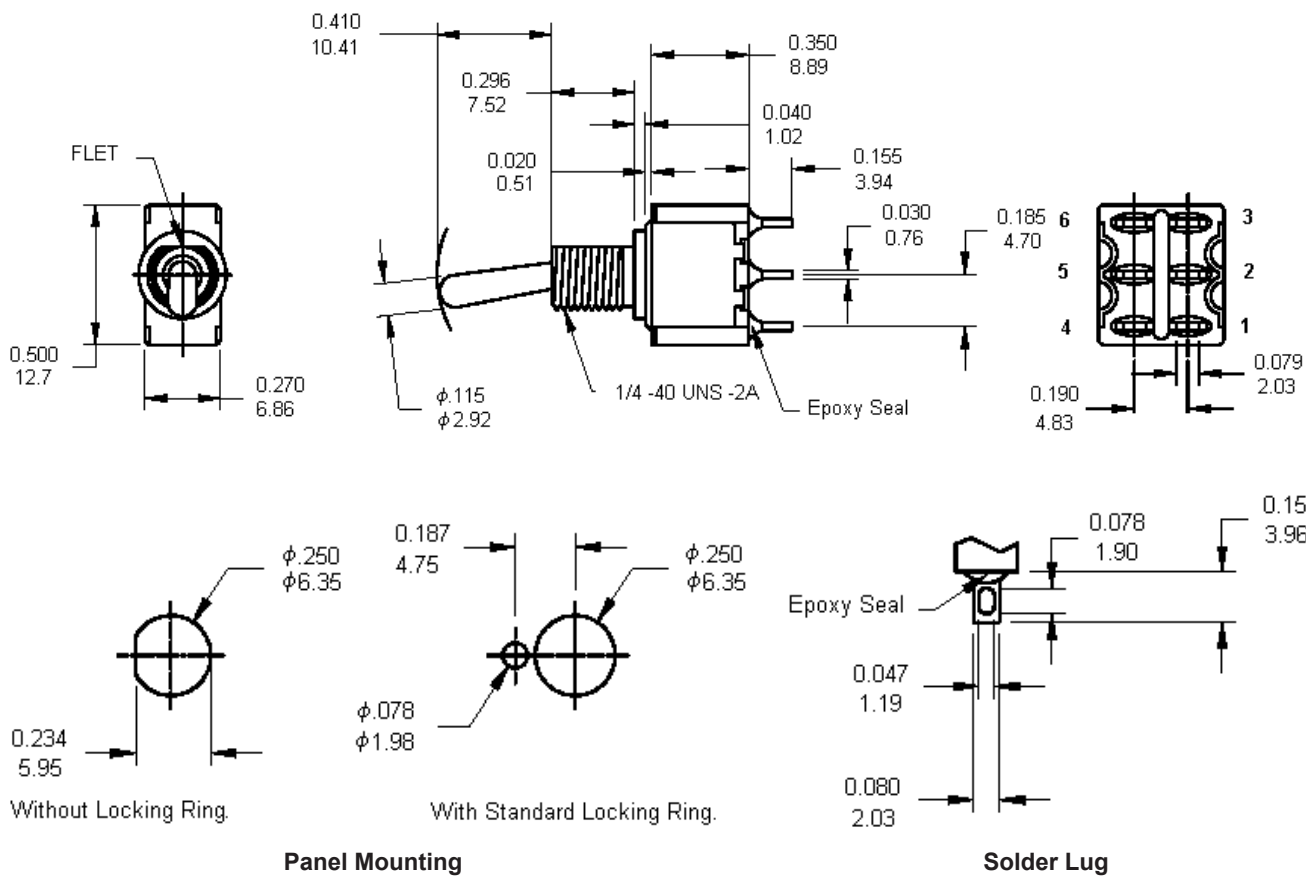
R : 0.4 Volt-Amps (VA) maximum at 20V maximum (AC or DC)
 Q : 2 Amps at 250V AC
 5 Amps at 120V AC or 28V DC

Switch Function

	Position 1	Position 2	Position 3
Model Number			
1MD1	ON	NONE	ON
Terminal Common	2-3, 5-6		2-1, 5-4
Schematic		OPEN	



Miniature Toggle Switch



Dimensions : Millimetres

Part Number Table

Description	Part Number
Switch, Toggle, 5A, 250V	1MD3T1B5M1QE

Important Notice : This data sheet and its contents (the "Information") belong to the members of the Premier Farnell group of companies (the "Group") or are licensed to it. No licence is granted for the use of it other than for information purposes in connection with the products to which it relates. No licence of any intellectual property rights is granted. The Information is subject to change without notice and replaces all data sheets previously supplied. The Information supplied is believed to be accurate but the Group assumes no responsibility for its accuracy or completeness, any error in or omission from it or for any use made of it. Users of this data sheet should check for themselves the Information and the suitability of the products for their purpose and not make any assumptions based on information included or omitted. Liability for loss or damage resulting from any reliance on the Information or use of it (including liability resulting from negligence or where the Group was aware of the possibility of such loss or damage arising) is excluded. This will not operate to limit or restrict the Group's liability for death or personal injury resulting from its negligence. Multicomp is the registered trademark of the Group. © Premier Farnell plc 2012.

www.element14.com
www.farnell.com
www.newark.com

