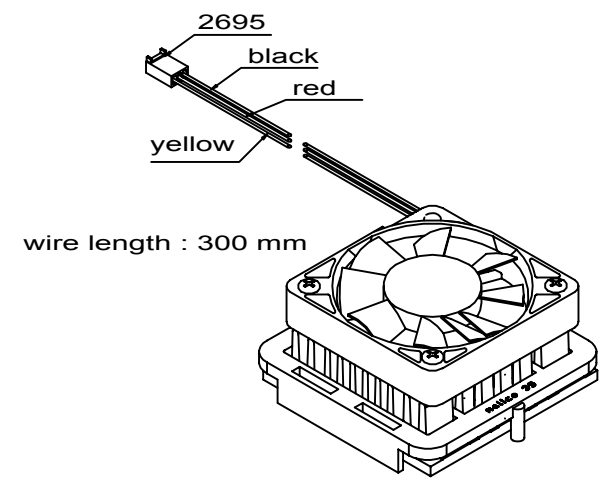
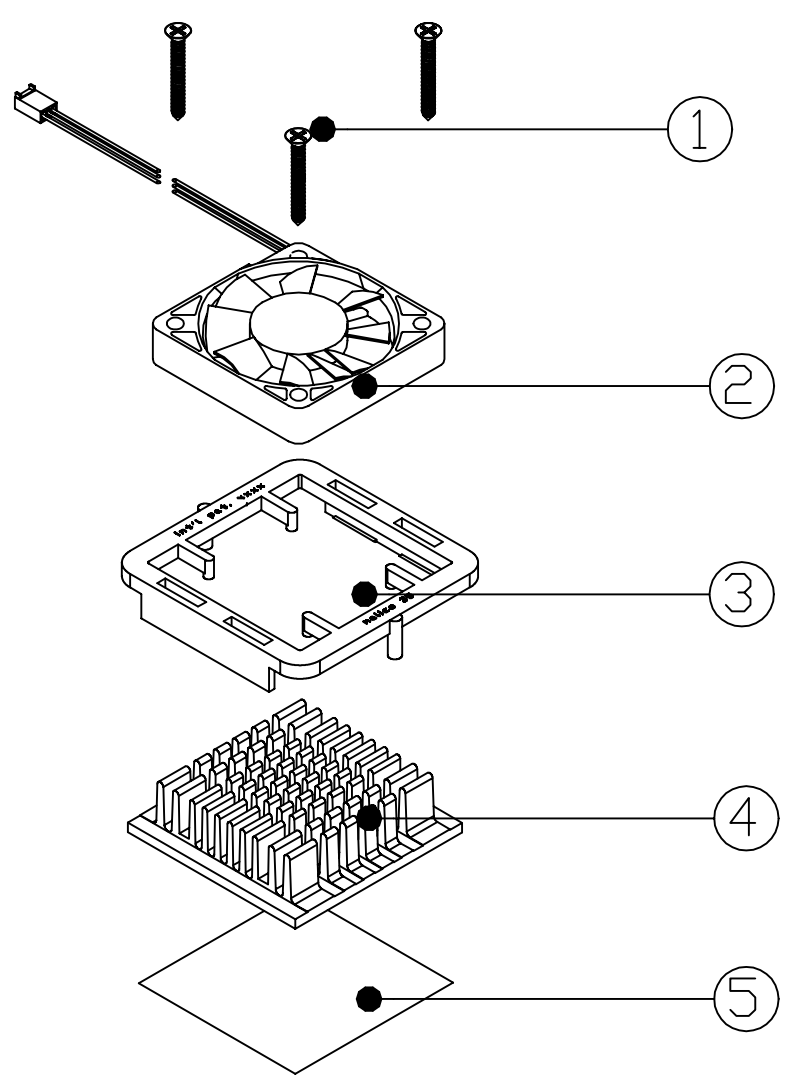


Rev.	Description	Date	Checked
A	new release	07.26.2007	Wen
B	changed screw DIM.	01.21.2010	Wen



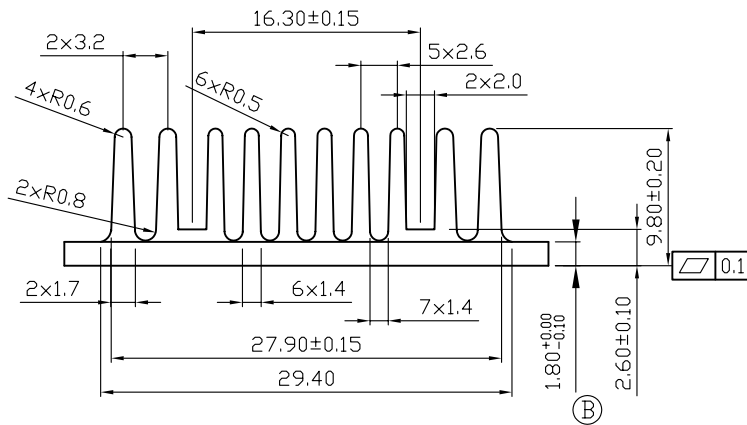
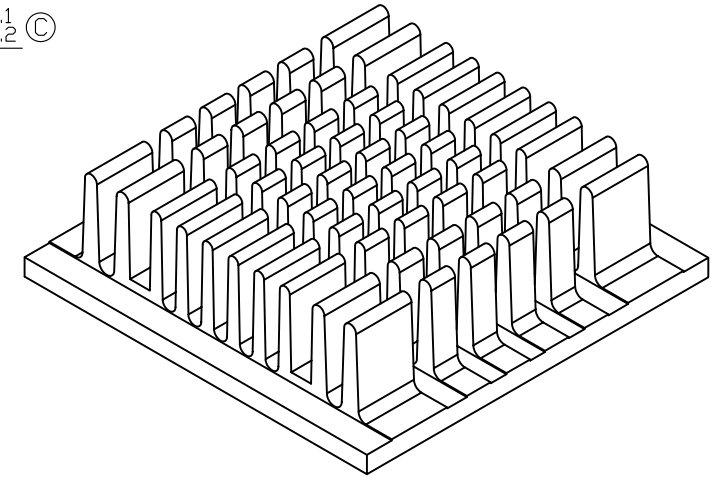
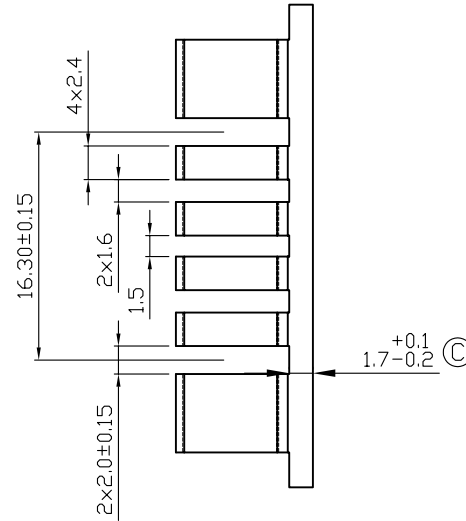
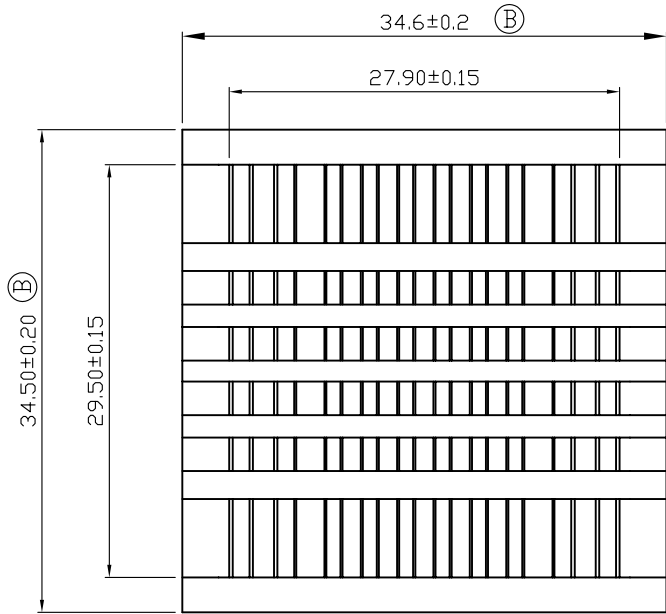
Notes:

Item	Description	Dimension (mm)	Material	Finish / Color	Qty
1	F001-00181	P2.0 x 14L	steel	black	3
2	DFANSU30300604-00	30 x 30 x 6.9	plastic	black	1
3	DCLIP037370601-00	37.2 x 37.2 x 6.45	plastic	black	1
4	BBGA0135351011-07	34.6 x 34.5 x 9.8	AL 6063	black anodize	1
5	F002-00085	33 x 33 x 0.13	T710		1


Finish: see notes	<h1>Malico Inc.</h1>			
Material: see notes				
Date: 01.21.2010	Approved: Sammy	Checked: Audi	Drawn: Wen	Rev.: B
Title: assembly	Model no. : CEBF0135351602-00 (EBF35001-16BK+T710)			

Malico Confidential

REV	ALTERATION	DATE	CHECKED
A	NEWRELEASE	08.15.2000	
B	Changed Dimension and Tolerance	10.23.2001	VIVIAN
C	Changed Dimension and Tolerance	12.15.2003	KEN

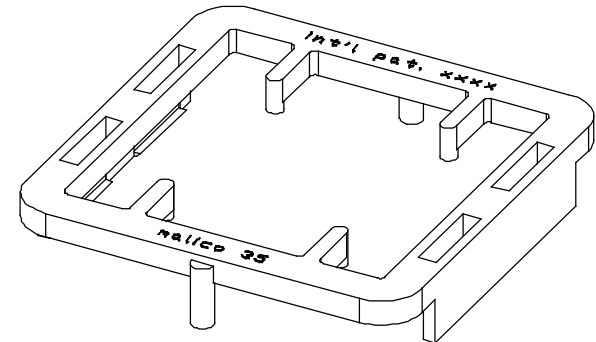
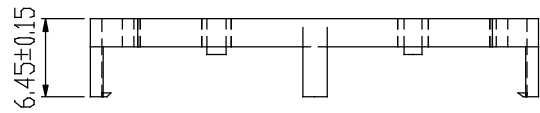
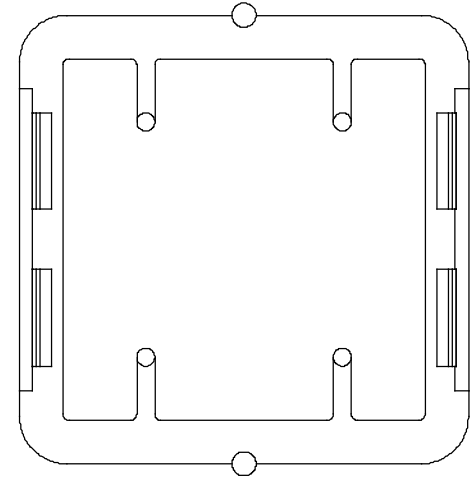
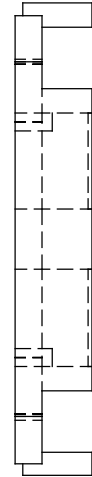
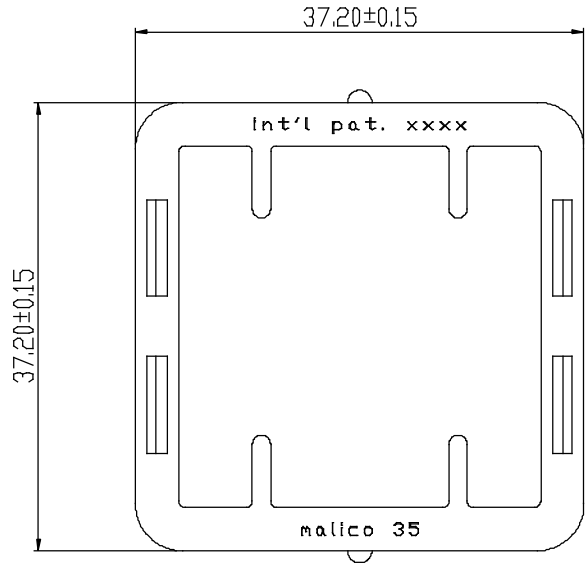


UNIT:	MM
TOLERANCE TABLE	
X.	±0.30
X.X	±0.20
X.XX	±0.10

FINISH:	BLACK ANODIZE			MALICO INC.	
MATERIAL:	6063-T5	APPROVED:	CHECKED:	DRAWN:	REV:
DATE:	10.23.2001	Jimmy	Audi	Vivian	C
TITLE:	HEAT SINK	MODEL NO:	BBGA0135351011-07 (EBH35001-10)		


* IS CRITICAL DIM WHICH MUST BE INSPECTION BY EACH SHIPMENT.

REV	ALTERATION	DATE	Checked
A	NEWRELEASE	01.13.2000	
B	CHANGED DIMENSION FROM 35.2±0.3 TO 35.0±0.2	09.13.2001	
C	1.CHANGED DIMENSION FROM 2.0 TO 2.3 2.CHANGED DIMENSION FROM 0.45 TO 0.6 3.CHANGED DIMENSION FROM 0.65 TO 0.85	09.21.2001	
D	CHANGED DIMENSION FROM 22.0 TO 25.0	10.05.2001	
E	CHANGED TOLERANCE	01.20.2002	
F	CHANGED TOLERANCE	10.03.2002	NO NO
G	ADDING PATENT DESCRIPTION	03.16.2005	Nicole
H	1.CHANGED TOLERANCE FROM 0.65±0.1 TO 0.65±0.08 2.CHANGED TOLERANCE FROM 35±0.15 TO 35±0.15/-0.05	11.16.2005	Nicole



UNIT:	MM
TOLERANCE TABLE	
X.	±0.30
X.X	±0.20
X.XX	±0.10
ANGLE	±1°

* IS CRITICAL DIM WHICH MUST BE INSPECTION BY EACH SHIPMENT.

FINISH:	BLACK	 MALICO INC.			
MATERIAL:	PLASTIC				
DATE:	11.16.2005	APPROVED:	CHECKED:	DRAWN:	REV:
TITLE:	CLIP	Jimmy	Audi	NO NO	H
		MODEL NO:	DCLIP037370601-00 (BCP37-06(35))		

DIMENSIONS

Malico P/N.:DFANSU30300604-00
MC30060V1-0000-G99 5V
2695 W:300mm

