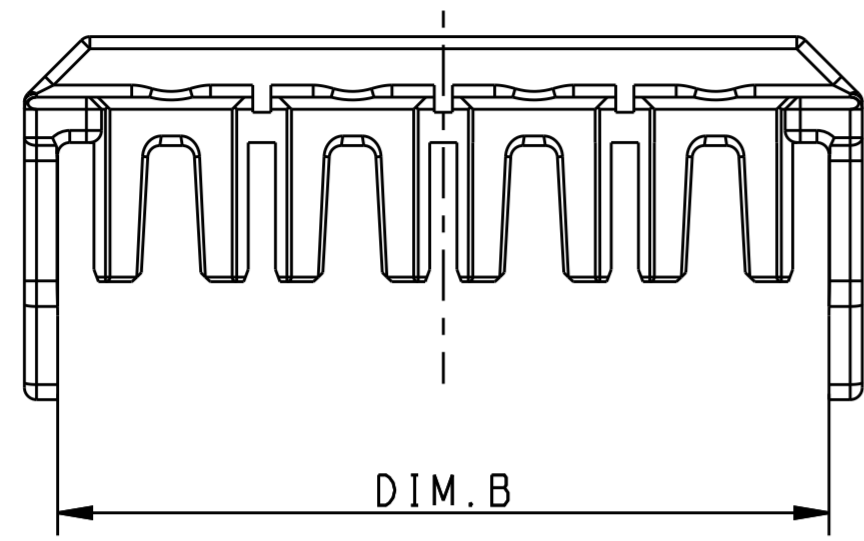
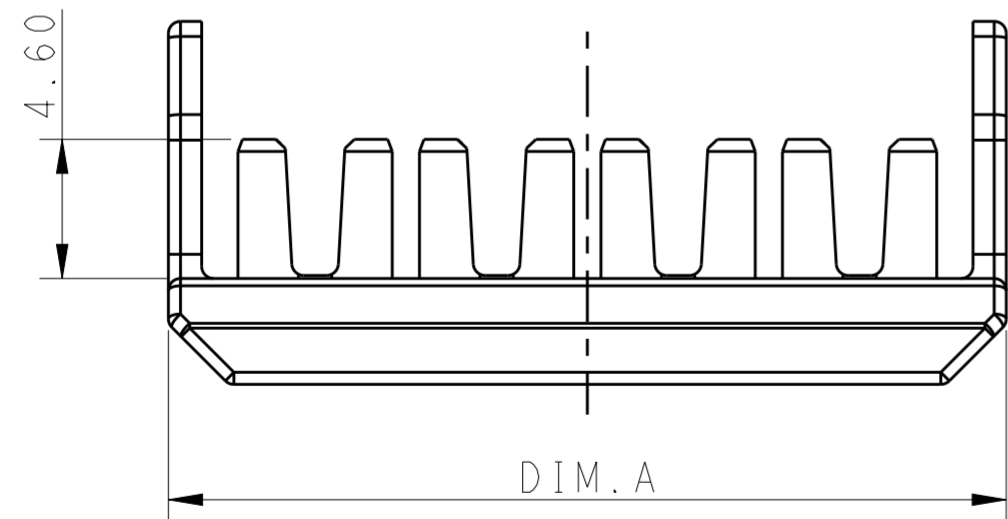
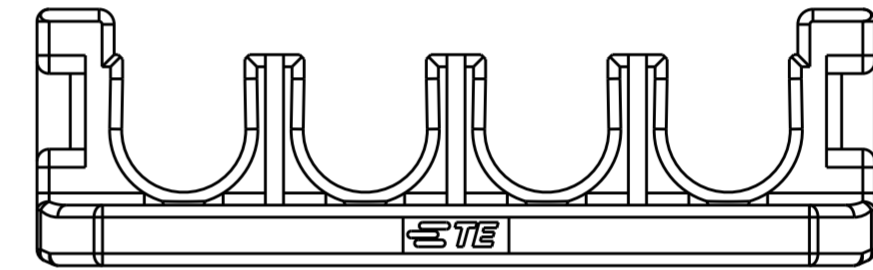
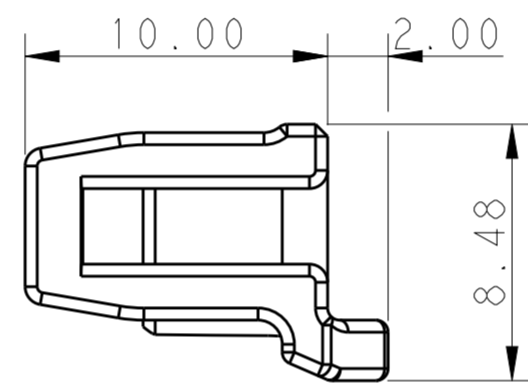
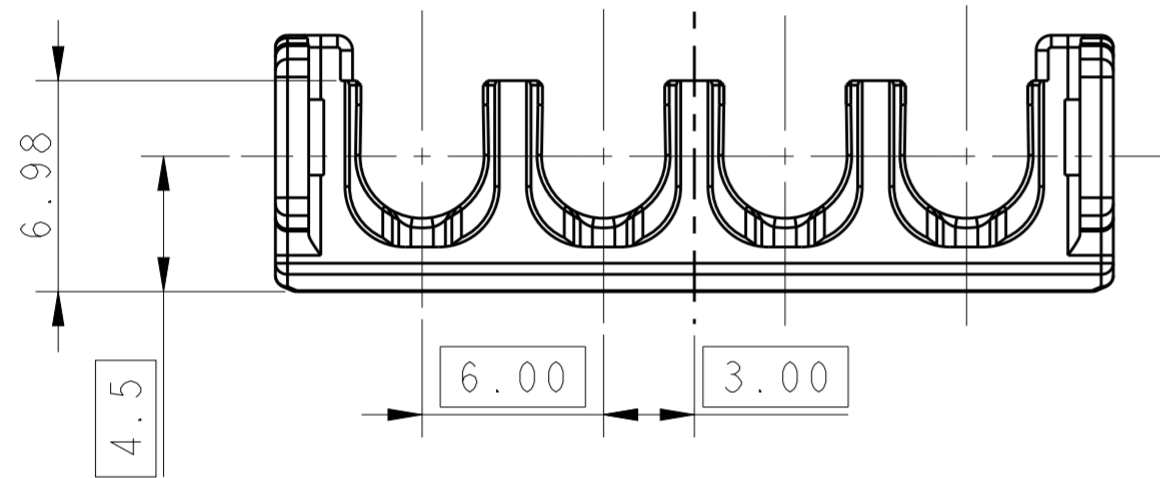


THIS DRAWING IS UNPUBLISHED. RELEASED FOR PUBLICATION 20
 © COPYRIGHT 20 BY - ALL RIGHTS RESERVED.

LOC		DIST		REVISIONS			
P	LTR	DESCRIPTION	DATE	DWN	APVD		
	A	RELEASE DRAWING	04FEB2013	T.W	YH.M		
	A1	ECR-13-005295	11APR2013	T.W	YH.M		



POS.	DIM.A	DIM.B
1*5	33.70	31.5
1*4	27.70	25.5
1*3	21.70	19.5
1*2	15.70	13.5



NOTE

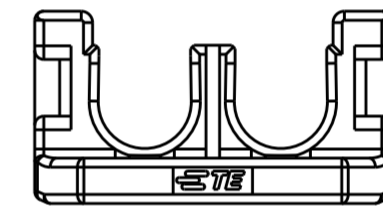
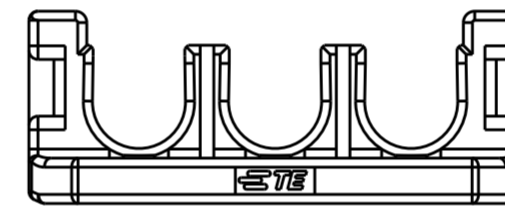
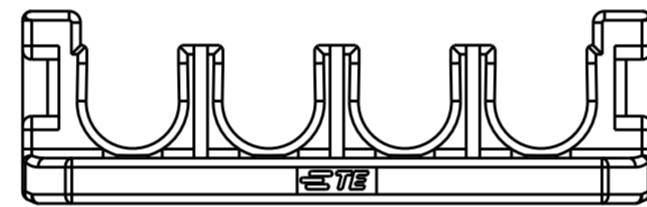
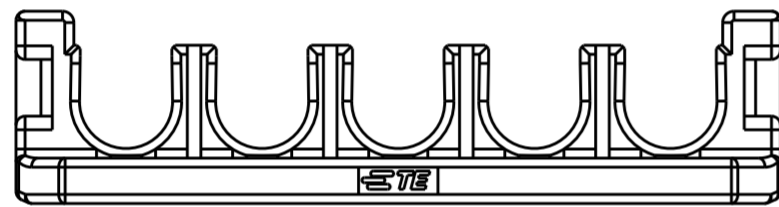
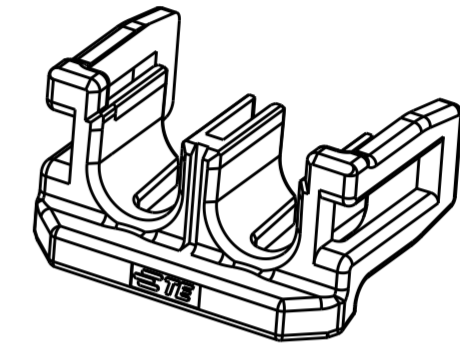
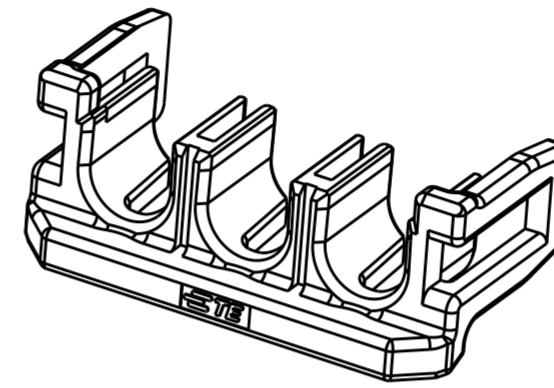
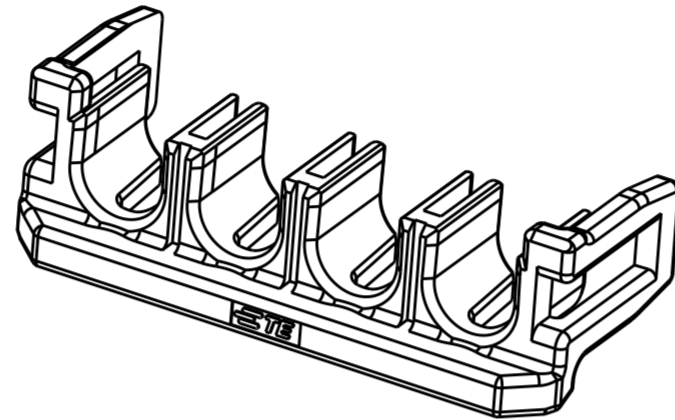
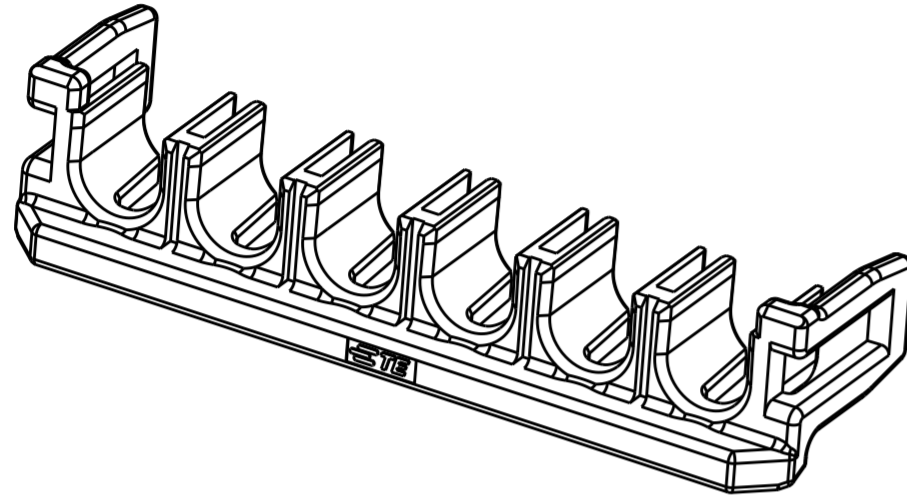
- MATERIAL:
 LEVEL 1: NYLON, HIGH TEMPERATURE 150°C
 COLOR: BLACK
 LEVEL 2: PBT, HWT
 COLOR: NATURAL
- MATING CONN, P/N
 CAP HSG: *-1971*7*-*/*-22322**-*/*-22323**-*
 PLUG HSG: *-1971*7*-*/*-22322**-*/*-22323**-*
- PRODUCT SPEC: 108-106118
- APPLICATION SPEC: 114-106118

1. This product has not completed validation testing.

THIS DRAWING IS A CONTROLLED DOCUMENT.		DWN TOMMY WU 09JUL2012	TE Connectivity															
DIMENSIONS: mm		CHK HAPYE WU 09JUL2012																
TOLERANCES UNLESS OTHERWISE SPECIFIED:		APVD YUJHONG MAO 09JUL2012	NAME DOUBLE LOCK PLATE, SINGLE ROW POWER TRIPLE LOCK															
<table border="1"> <tr><td>0 PLC</td><td>±</td></tr> <tr><td>1 PLC</td><td>±0.35</td></tr> <tr><td>2 PLC</td><td>±0.25</td></tr> <tr><td>3 PLC</td><td>±</td></tr> <tr><td>4 PLC</td><td>±</td></tr> <tr><td>ANGLES</td><td>±</td></tr> <tr><td>FINISH</td><td>±</td></tr> </table>		0 PLC	±	1 PLC	±0.35	2 PLC	±0.25	3 PLC	±	4 PLC	±	ANGLES	±	FINISH	±	PRODUCT SPEC 108-106118	SIZE A200779	
0 PLC	±																	
1 PLC	±0.35																	
2 PLC	±0.25																	
3 PLC	±																	
4 PLC	±																	
ANGLES	±																	
FINISH	±																	
MATERIAL		APPLICATION SPEC 114-106118	DRAWING NO C-1971777															
		WEIGHT -	RESTRICTED TO -															
		Customer Drawing	SCALE -	SHEET 1 OF 2 REV A1														

THIS DRAWING IS UNPUBLISHED. RELEASED FOR PUBLICATION 20
 © COPYRIGHT 20 BY - ALL RIGHTS RESERVED.

LOC		DIST		REVISIONS			
P	LTR	DESCRIPTION	DATE	DWN	APVD		
-	-	SEE SHEET 1	-	-	-		



1*5 POSITIONS

1*4 POSITIONS

1*3 POSITIONS

1*2 POSITIONS

1*5	LEVEL 1	1971777-5
1*4	LEVEL 1	1971777-4
1*3	LEVEL 1	1971777-3
	LEVEL 2	2-1971777-3
1*2	LEVEL 1	1971777-2
	LEVEL 2	2-1971777-2
POS.	MATERIAL	P/N

THIS DRAWING IS A CONTROLLED DOCUMENT.		DWN TOMMY WU 09JUL2012	STE TE Connectivity	
DIMENSIONS: mm		CHK HAPYE WU 09JUL2012		
TOLERANCES UNLESS OTHERWISE SPECIFIED:		APVD YUHONG MAO 09JUL2012	NAME DOUBLE LOCK PLATE, SINGLE ROW POWER TRIPLE LOCK	
0 PLC ± -		PRODUCT SPEC 108-106118	RESTRICTED TO -	
1 PLC ± 0.35		APPLICATION SPEC 114-106118	SIZE A2	CAGE CODE 00779
2 PLC ± 0.25		WEIGHT -	DRAWING NO G-1971777	SHEET 2 OF 2
3 PLC ± -		MATERIAL -	SCALE -	REV A1
4 PLC ± -		Customer Drawing	SHEET 2 OF 2	
ANGLES ± -				
FINISH -				