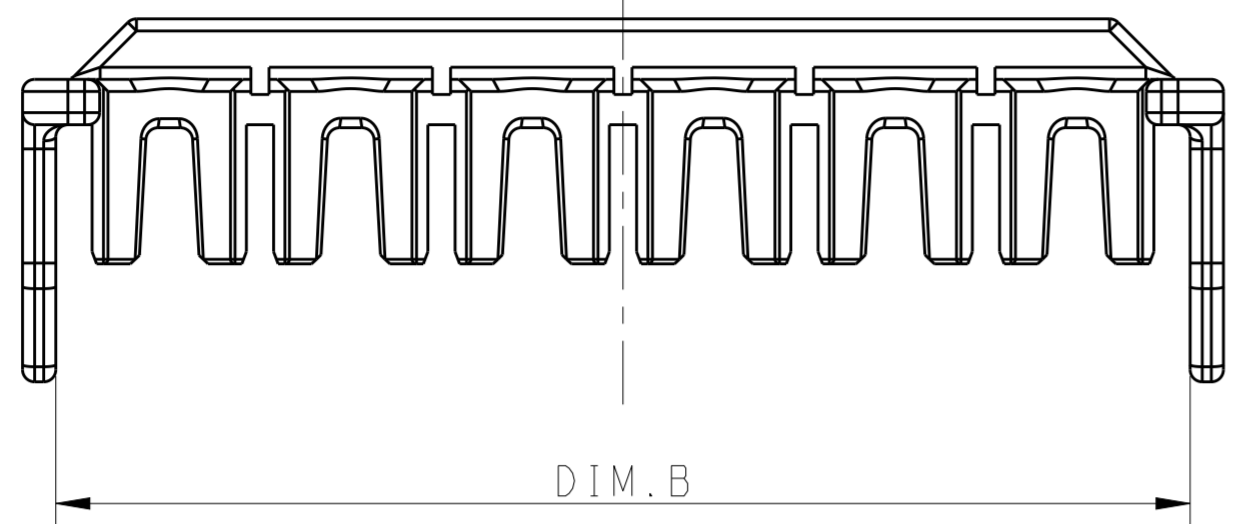
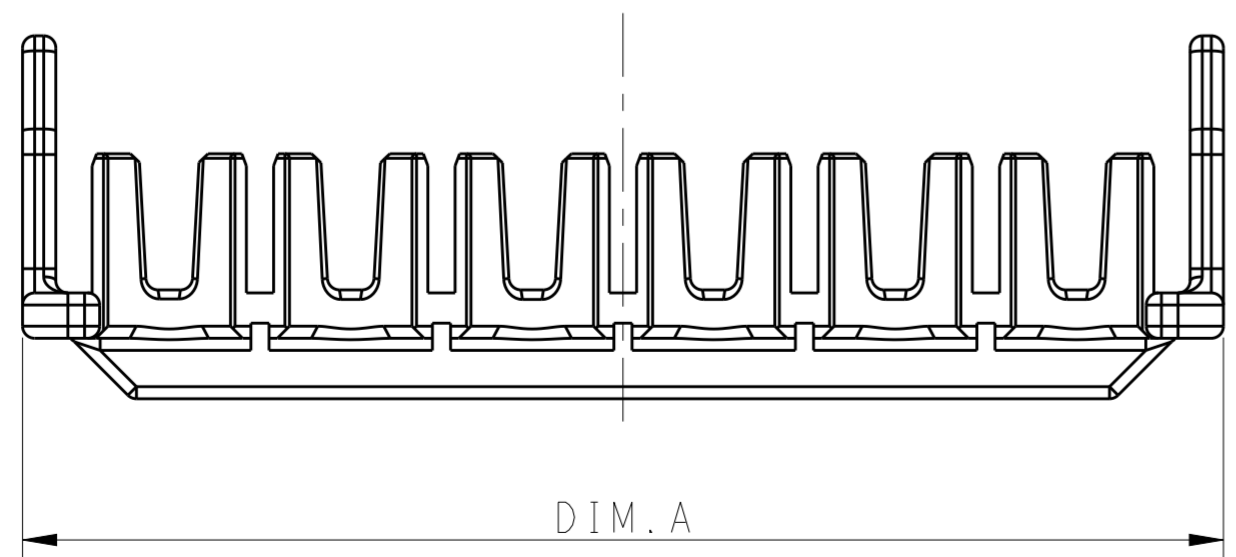
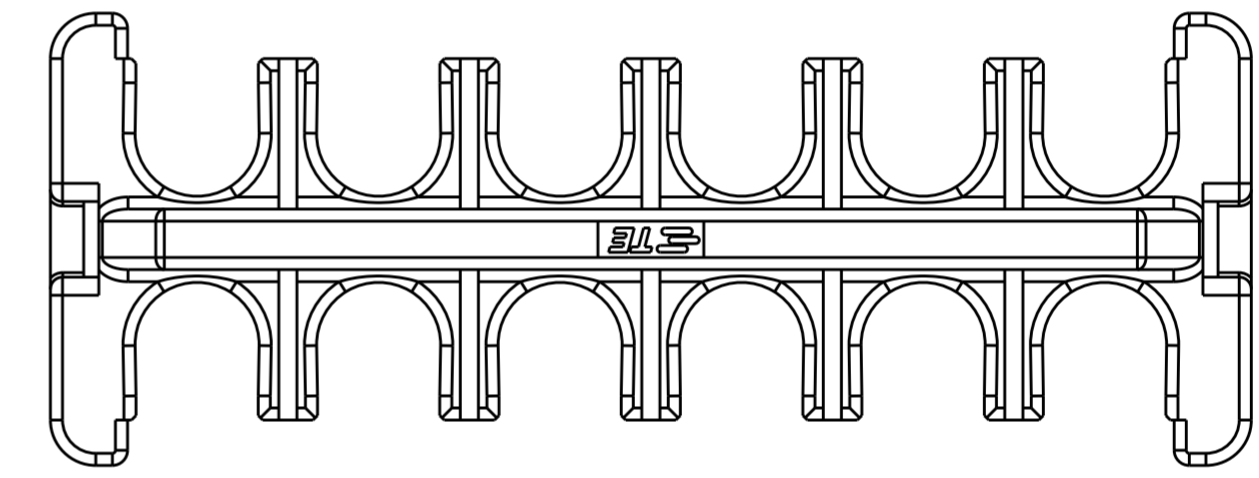
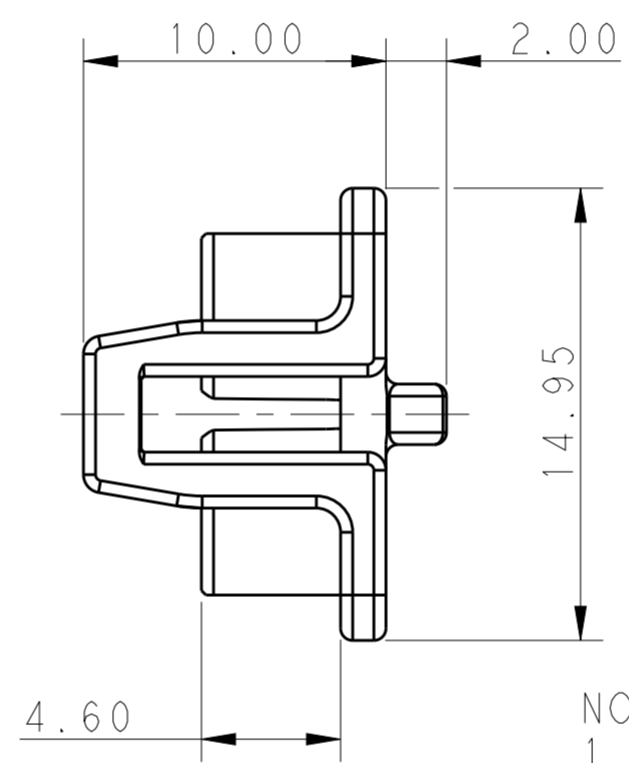
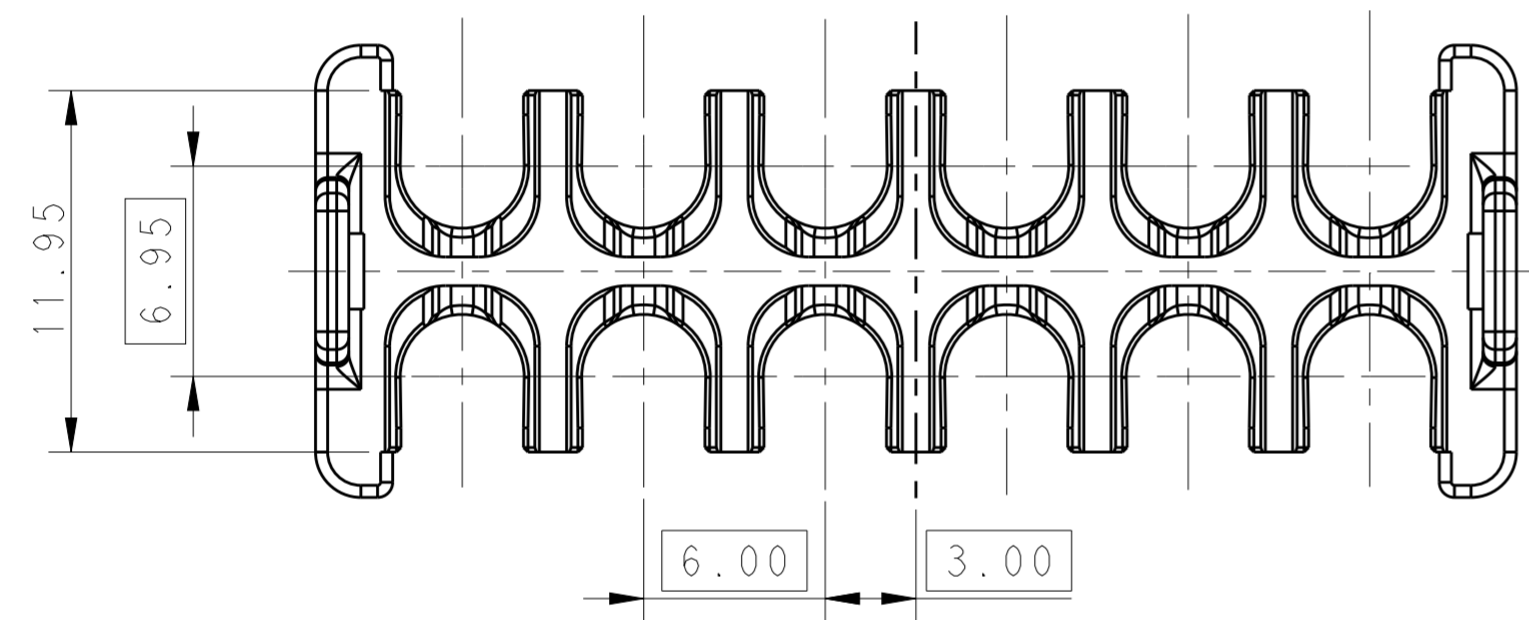


THIS DRAWING IS UNPUBLISHED. RELEASED FOR PUBLICATION 20
 © COPYRIGHT 20 BY - ALL RIGHTS RESERVED.

LOC		DIST		REVISIONS			
P	LTR	DESCRIPTION	DATE	DWN	APVD		
	A	RELEASE DRAWING	04FEB2013	T.W	YH.M		
	A1	ECR-13-005295	11APR2013	T.W	YH.M		



POS.	DIM.A	DIM.B
2*6	39.70	37.5
2*5	33.70	31.5
2*4	27.70	25.5
2*3	21.70	19.5



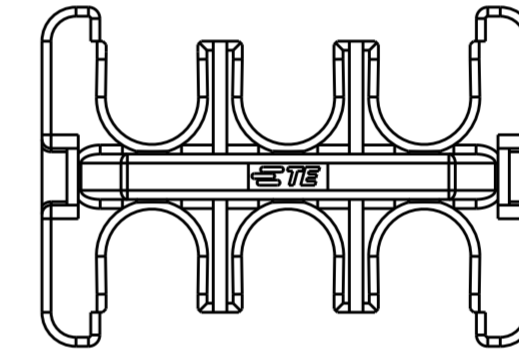
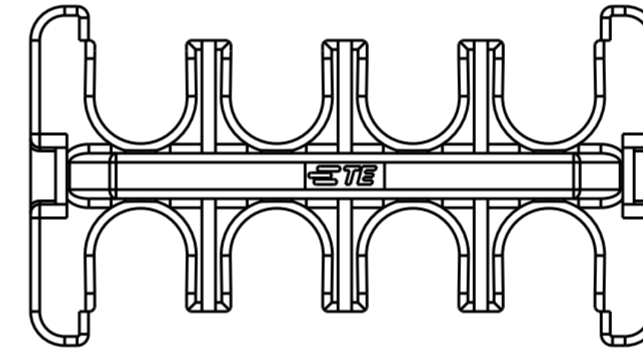
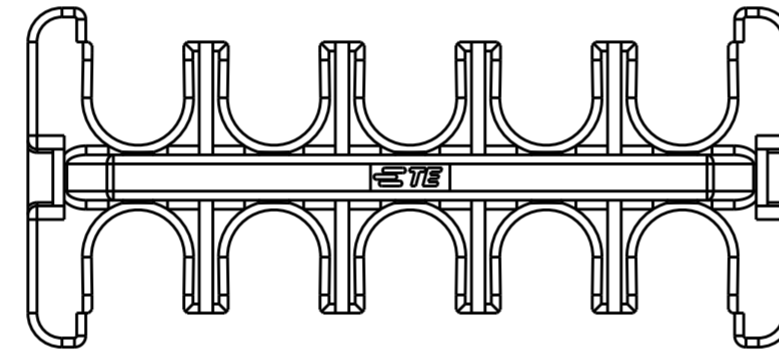
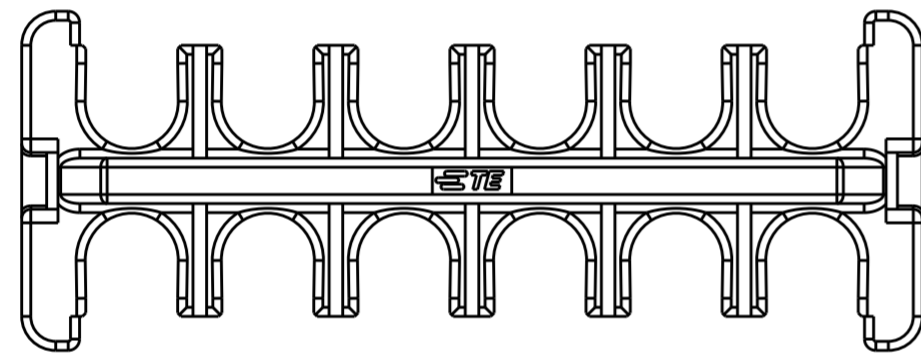
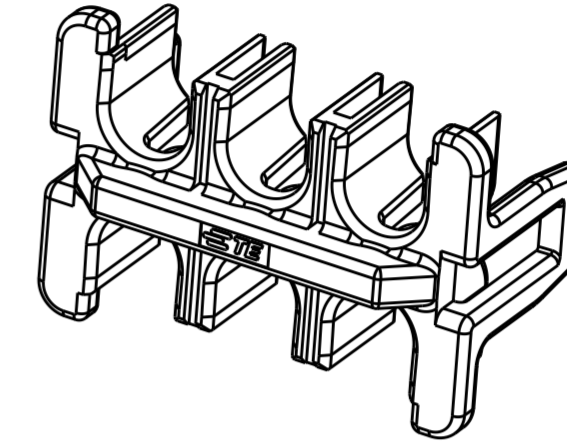
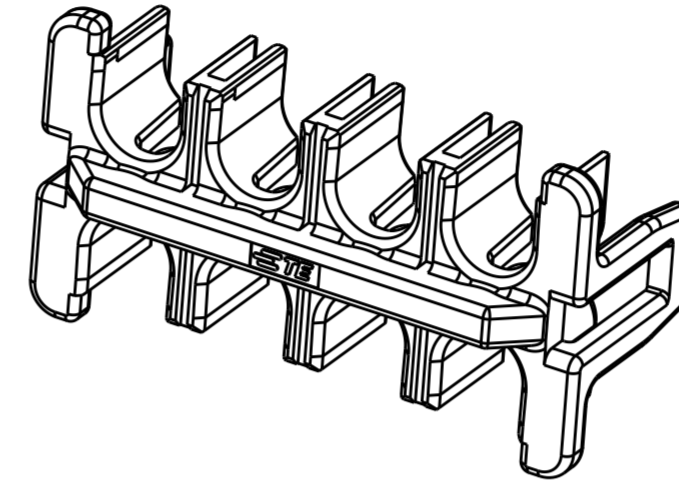
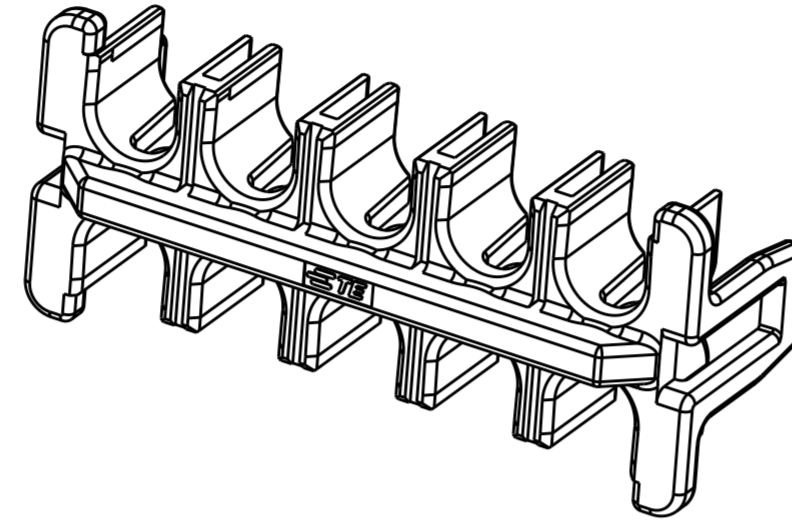
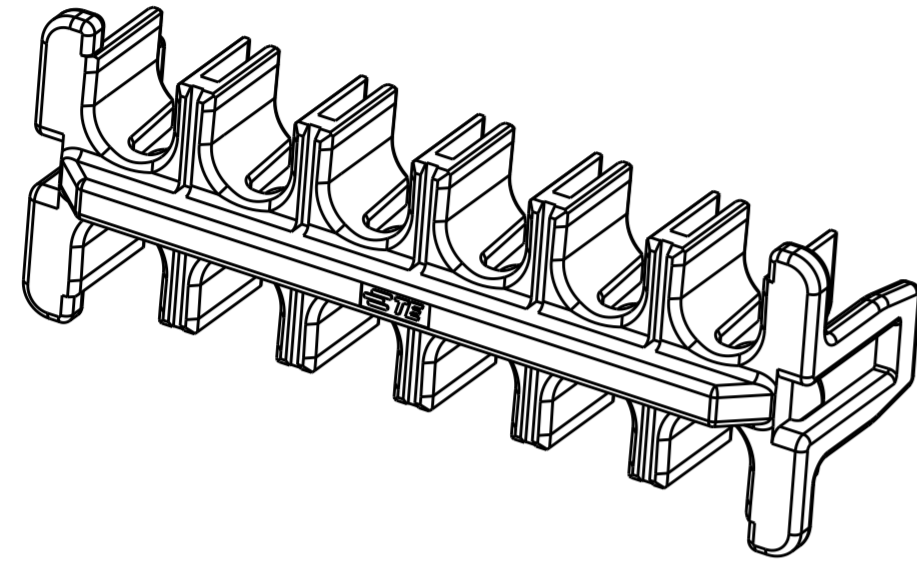
- NOTE
- MATERIAL:
 LEVEL 1: NYLON, HIGH TEMPERATURE 150°C
 COLOR: BLACK
 LEVEL 2: PBT, HWT
 COLOR: NATURAL
 - MATING CONN, P/N
 CAP HSG: *-1971*7*-*/*-22322***-*/*-22323***-
 PLUG HSG: *-1971*7*-*/*-22322***-*/*-22323***-
 - PRODUCT SPEC: 108-106118
 - APPLICATION SPEC: 114-106118

1. This product has not completed validation testing.

THIS DRAWING IS A CONTROLLED DOCUMENT.		DWN TOMMY WU 09JUL2012	STE TE Connectivity	
		CHK HAPYE WU 09JUL2012		
		APVD YUHONG MAO 09JUL2012	NAME DOUBLE LOCK PLATE, DOUBLE ROW POWER TRIPLE LOCK	
DIMENSIONS: mm		PRODUCT SPEC 108-106118	SIZE CAGE CODE DRAWING NO RESTRICTED TO	
TOLERANCES UNLESS OTHERWISE SPECIFIED:		APPLICATION SPEC 114-106118	A2 00779 C-1971778	
0 PLC ± -		WEIGHT -	SCALE - SHEET 1 OF 2 REV A1	
1 PLC ±0.35		Customer Drawing		
2 PLC ±0.25				
3 PLC ± -				
4 PLC ± -				
ANGLES ± -				
FINISH				

THIS DRAWING IS UNPUBLISHED. RELEASED FOR PUBLICATION 20
 © COPYRIGHT 20 BY - ALL RIGHTS RESERVED.

LOC		DIST		REVISIONS			
P	LTR	DESCRIPTION	DATE	DWN	APVD		
-	-	SEE SHEET 1	-	-	-		



2*6 POSITIONS

2*5 POSITIONS

2*4 POSITIONS

2*3 POSITIONS

2*6	LEVEL 1	1971778-6
2*5	LEVEL 1	1971778-5
2*4	LEVEL 1	1971778-4
2*3	LEVEL 1	1971778-3
	LEVEL 2	2-1971778-3
POS.	MATERIAL	P/N

THIS DRAWING IS A CONTROLLED DOCUMENT.		DWN TOMMY WU 09JUL2012	TE Connectivity	
DIMENSIONS: mm		CHK HAPYE WU 09JUL2012		
TOLERANCES UNLESS OTHERWISE SPECIFIED:		APVD YUHONG MAO 09JUL2012	NAME DOUBLE LOCK PLATE, DOUBLE ROW POWER TRIPLE LOCK	
0 PLC ± 1 PLC ±0.35 2 PLC ±0.25 3 PLC ± 4 PLC ± ANGLES ± FINISH		PRODUCT SPEC 108-106118	RESTRICTED TO	
MATERIAL		APPLICATION SPEC 114-106118	SIZE A2	CAGE CODE 00779
		WEIGHT	DRAWING NO. C-1971778	SCALE
		Customer Drawing	SHEET 2 OF 2	REV A1