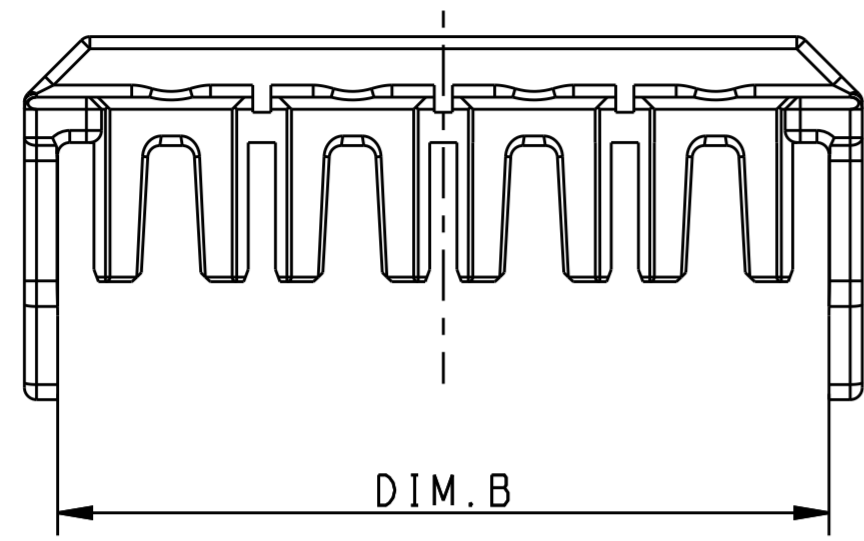
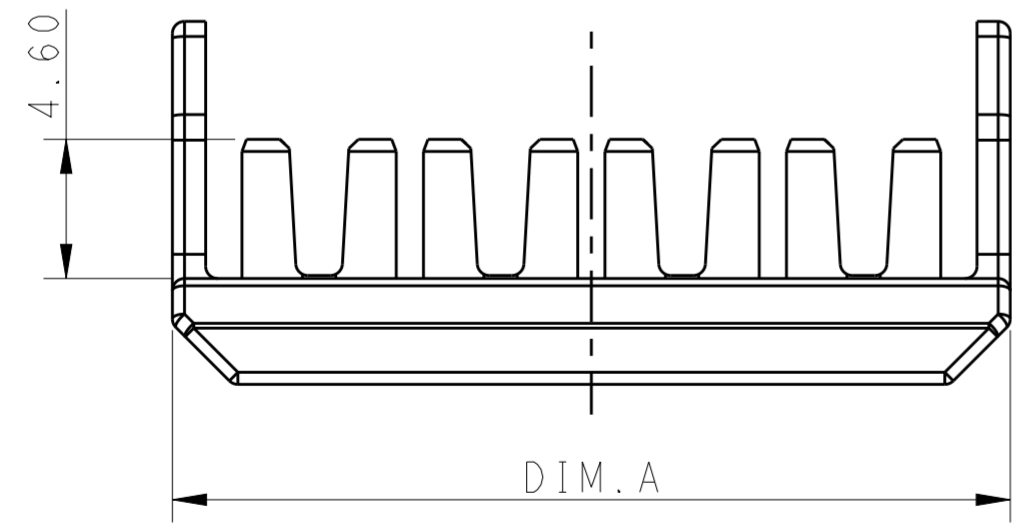
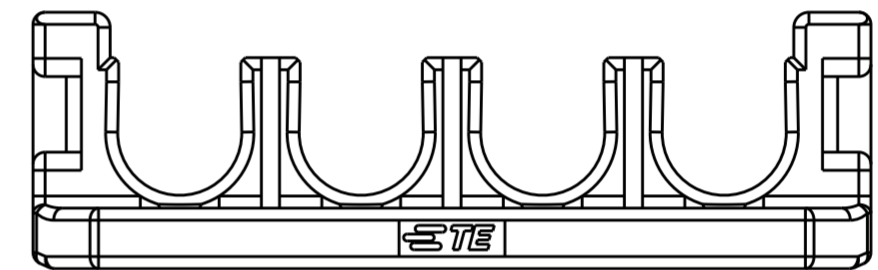
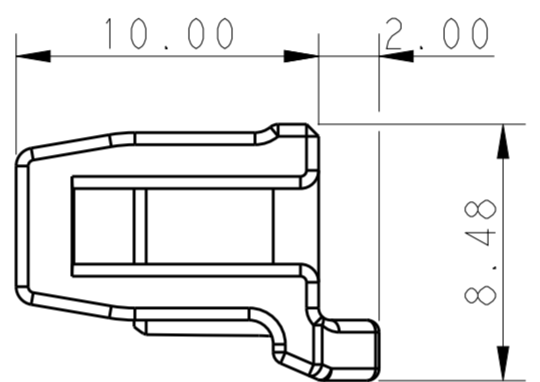
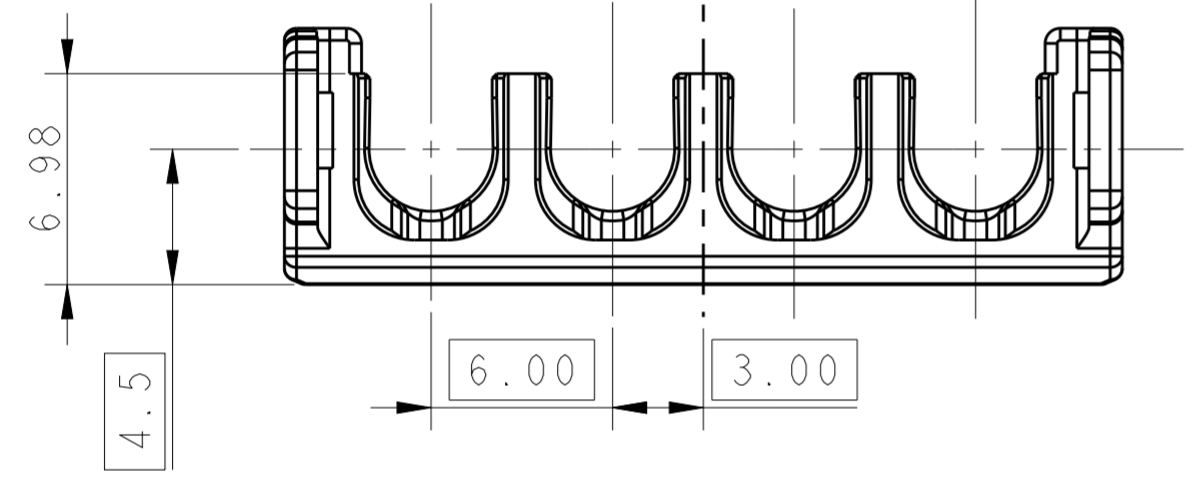


THIS DRAWING IS UNPUBLISHED. RELEASED FOR PUBLICATION 20  
 © COPYRIGHT 20 BY - ALL RIGHTS RESERVED.

LOC		DIST		REVISIONS			
P	LTR	DESCRIPTION	DATE	DWN	APVD		
	A	RELEASE DRAWING	04FEB2013	T.W	YH.M		
	A1	ECR-13-005295	11APR2013	T.W	YH.M		



POS.	DIM.A	DIM.B
1*5	33.70	31.5
1*4	27.70	25.5
1*3	21.70	19.5
1*2	15.70	13.5



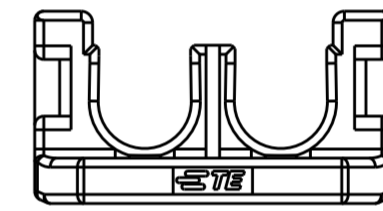
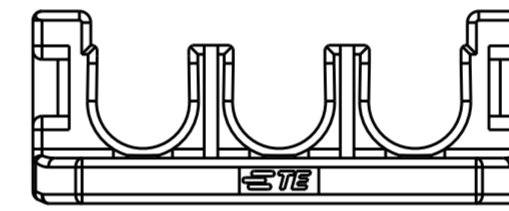
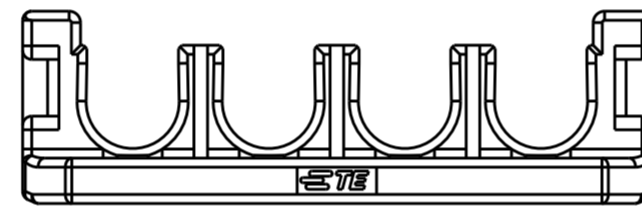
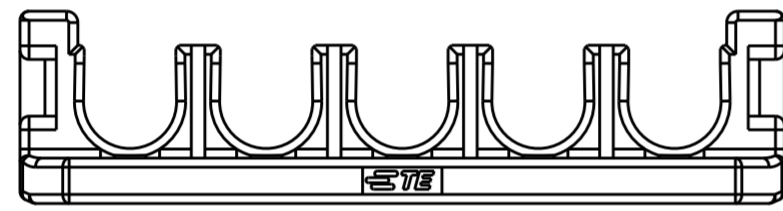
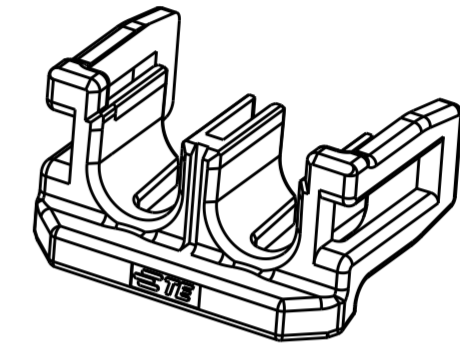
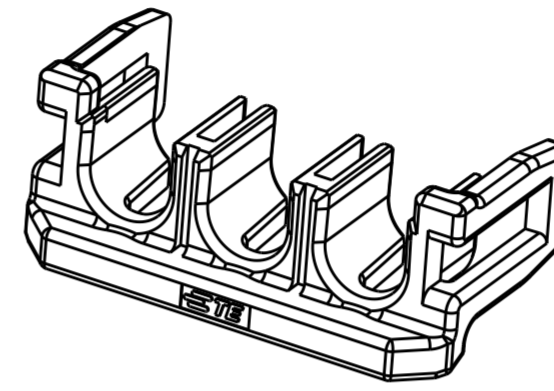
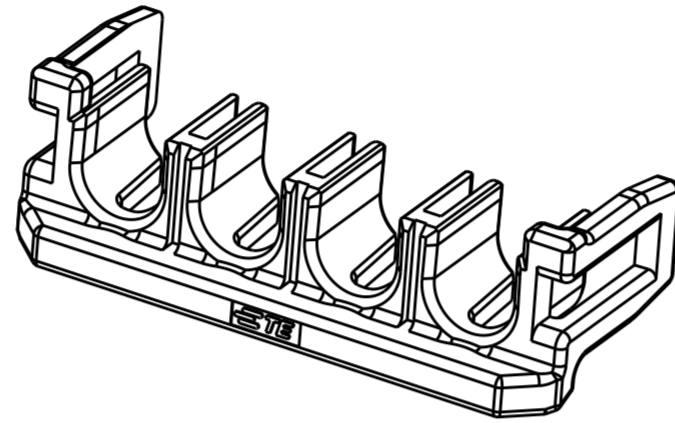
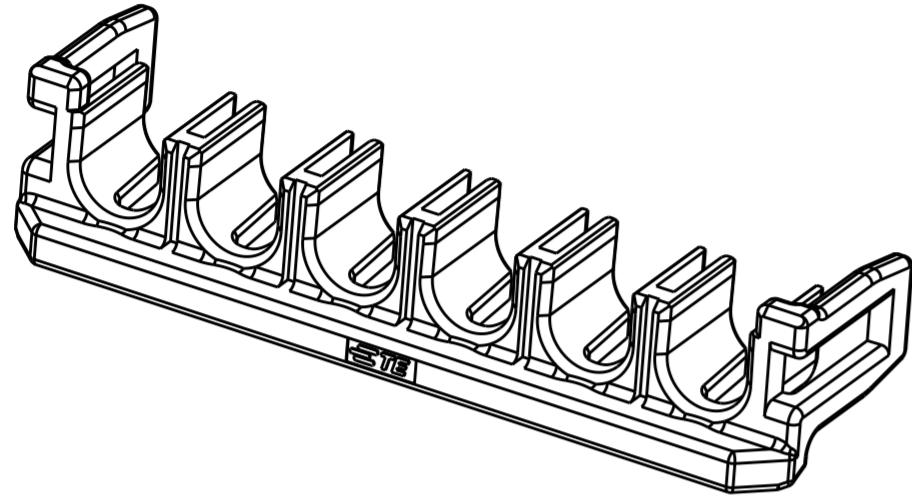
- NOTE
- MATERIAL:  
 LEVEL 1: NYLON, HIGH TEMPERATURE 150°C  
 COLOR: BLACK  
 LEVEL 2: PBT, HWT  
 COLOR: NATURAL
  - MATING CONN, P/N  
 CAP HSG: \*-1971\*7\*-\*/\*-22322\*\*-\*/\*-22323\*\*-\*  
 PLUG HSG: \*-1971\*7\*-\*/\*-22322\*\*-\*/\*-22323\*\*-\*
  - PRODUCT SPEC: 108-106118
  - APPLICATION SPEC: 114-106118

1. This product has not completed validation testing.

THIS DRAWING IS A CONTROLLED DOCUMENT.		DWN TOMMY WU 09JUL2012	<b>STE</b> TE Connectivity	
		CHK HAPYE WU 09JUL2012		
		APVD YUHONG MAO 09JUL2012	NAME DOUBLE LOCK PLATE, SINGLE ROW POWER TRIPLE LOCK	
DIMENSIONS: mm		PRODUCT SPEC 108-106118	SIZE A2	CAGE CODE 00779
TOLERANCES UNLESS OTHERWISE SPECIFIED:		APPLICATION SPEC 114-106118	DRAWING NO C-1971777	RESTRICTED TO -
MATERIAL -		WEIGHT -	SCALE -	SHEET 1 OF 2
		Customer Drawing		REV A1

THIS DRAWING IS UNPUBLISHED. RELEASED FOR PUBLICATION 20  
 © COPYRIGHT 20 BY - ALL RIGHTS RESERVED.

LOC		DIST		REVISIONS			
P	LTR	DESCRIPTION	DATE	DWN	APVD		
-	-	SEE SHEET 1	-	-	-		



1\*5 POSITIONS

1\*4 POSITIONS

1\*3 POSITIONS

1\*2 POSITIONS

1*5	LEVEL 1	1971777-5
1*4	LEVEL 1	1971777-4
1*3	LEVEL 1	1971777-3
	LEVEL 2	2-1971777-3
1*2	LEVEL 1	1971777-2
	LEVEL 2	2-1971777-2
POS.	MATERIAL	P/N

THIS DRAWING IS A CONTROLLED DOCUMENT.		DWN TOMMY WU 09JUL2012	TE Connectivity	
DIMENSIONS: mm		CHK HAPYE WU 09JUL2012		
TOLERANCES UNLESS OTHERWISE SPECIFIED:		APVD YUHONG MAO 09JUL2012	NAME DOUBLE LOCK PLATE, SINGLE ROW POWER TRIPLE LOCK	
0 PLC ± - 1 PLC ± 0.35 2 PLC ± 0.25 3 PLC ± - 4 PLC ± - ANGLES ± - FINISH		PRODUCT SPEC 108-106118	RESTRICTED TO -	
MATERIAL -		APPLICATION SPEC 114-106118	SIZE A2	CAGE CODE 00779
		WEIGHT -	DRAWING NO. 1971777	SCALE -
		Customer Drawing	SHEET 2 OF 2	REV A1