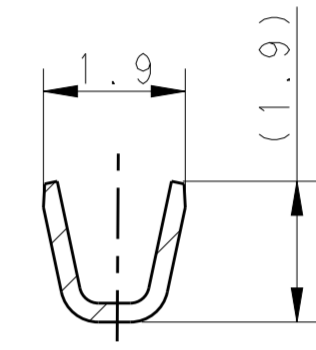
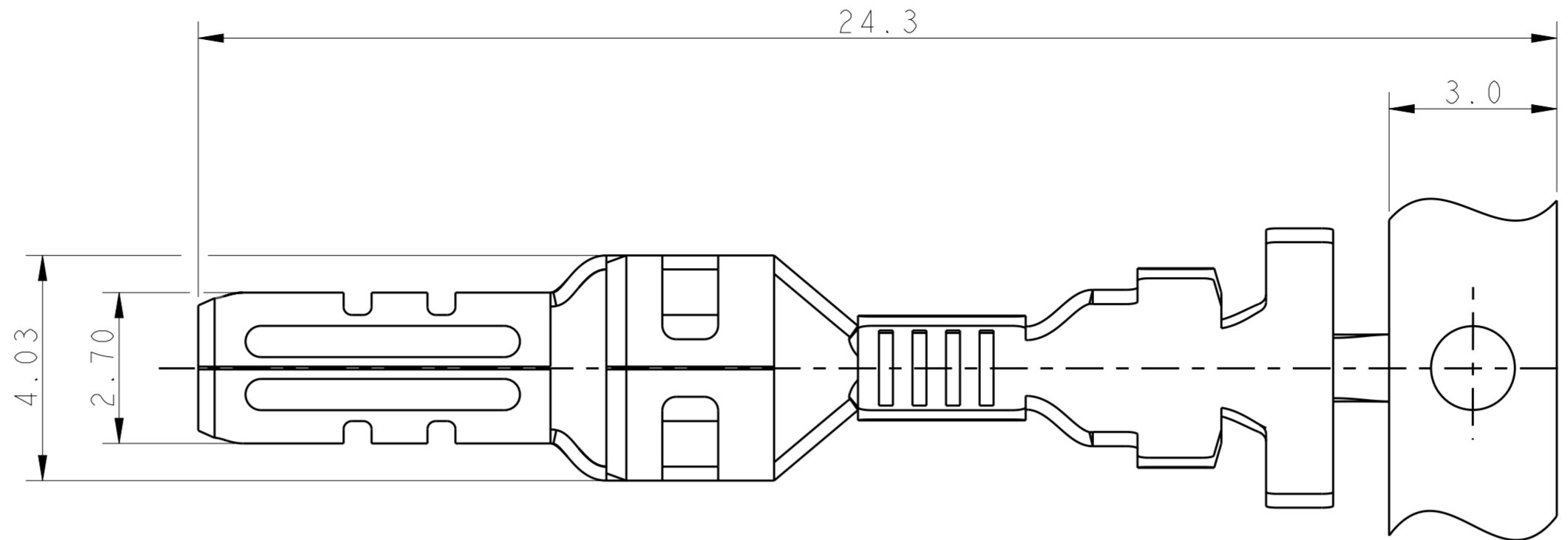
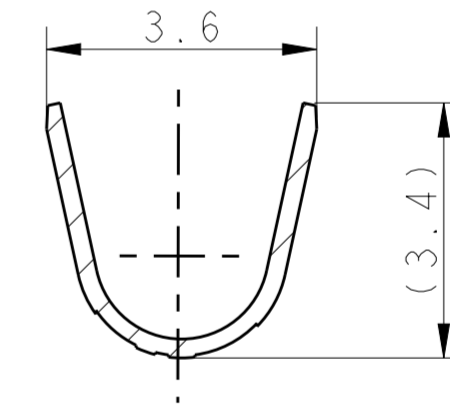
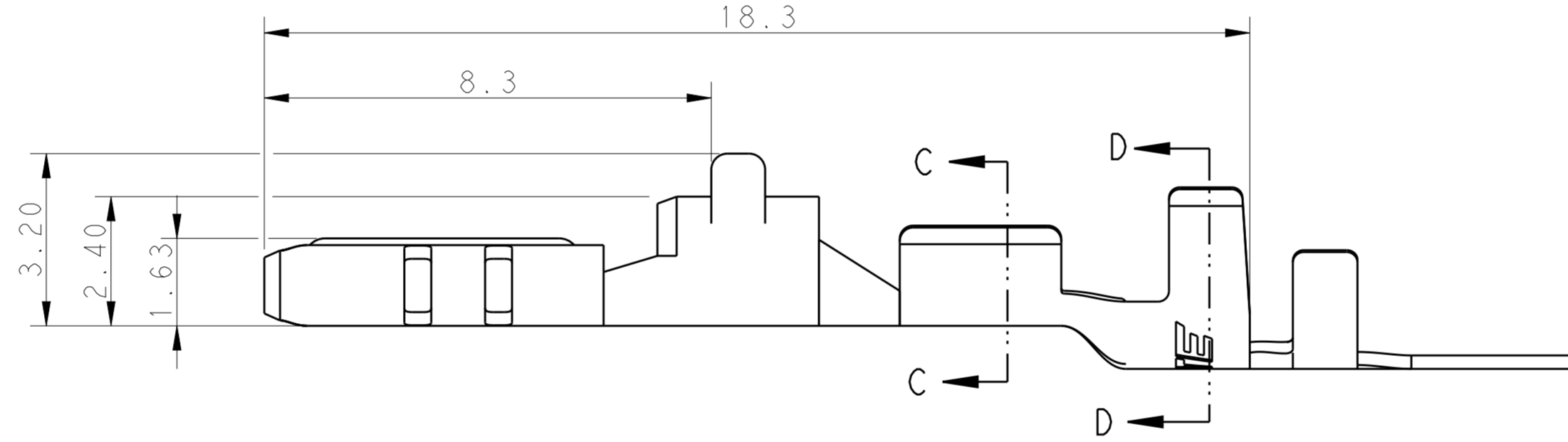


THIS DRAWING IS UNPUBLISHED. RELEASED FOR PUBLICATION 20  
 © COPYRIGHT 20 BY - ALL RIGHTS RESERVED.

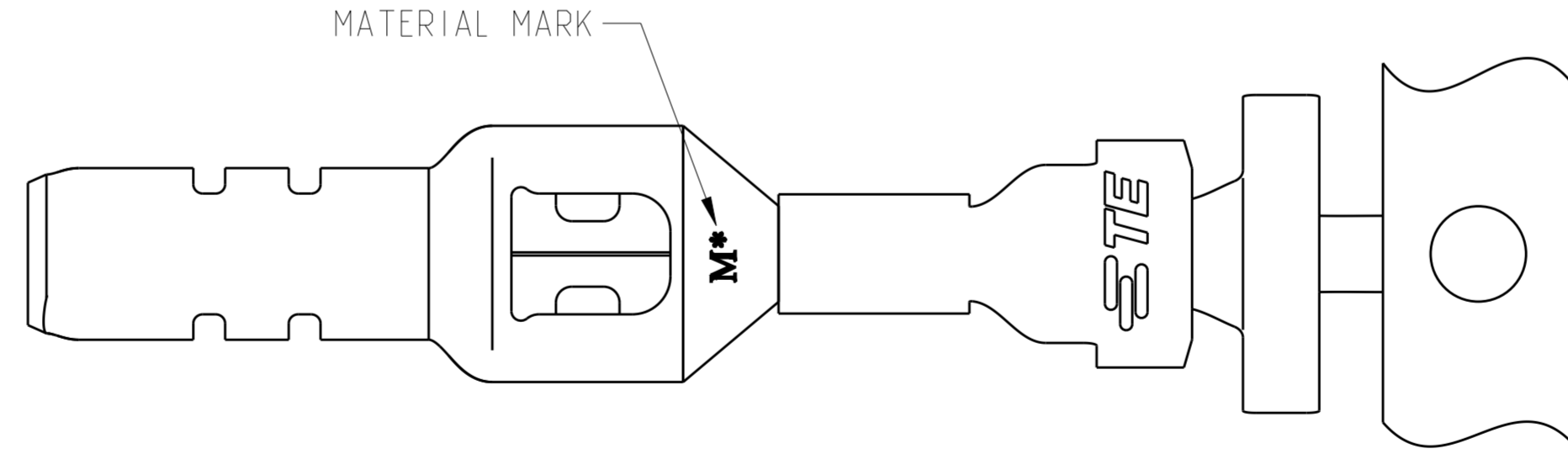
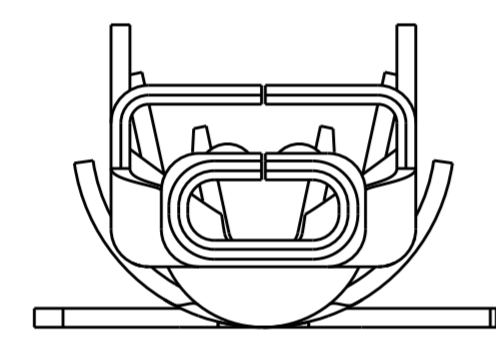
LOC	DIST	REVISIONS			
P	LTR	DESCRIPTION	DATE	DWN	APVD
ES	00	A	RELEASE DRAWING	04FEB2013	T.W YH.M



SECTION C-C



SECTION D-D



- NOTE:
1. MATERIAL: COPPER ALLOY, PRE TIN PLATING
  2. PRODUCT SPEC: 108-106118
  3. APPLICATION SPEC: 114-106118
  4. APPLICABLE MATED CAP HOUSING P/N:  
 \*-1971771-\*/\*-1971774-\*/\*-1971874-\*/  
 \*-1971772-\*/\*-1971775-\*/\*-1971875-\*
  5. APPLICABLE WIRE: 22AWG
  6. APPLICABLE INSULATION DIAMETER: 2.25~2.45mm

HIGH(150°C)	M0	1971786-2
STANDARD(105°C)	M8	1971786-1
TEMP. RATING	MATERIAL MARK	PART NO

1. This product has not completed validation testing.

THIS DRAWING IS A CONTROLLED DOCUMENT.		DWN TOMMY WU 11JUL2011	<b>STE</b> TE Connectivity	
DIMENSIONS: mm		CHK HAPYE WU 11JUL2011		
TOLERANCES UNLESS OTHERWISE SPECIFIED:		APVD YUHONG MAO 11JUL2011	NAME TAB CONTACT POWER TRIPLE LOCK	
0 PLC ±	1 PLC ±0.5	PRODUCT SPEC 108-106118	SIZE A2	CAGE CODE 00779
2 PLC ±0.30	3 PLC ±	APPLICATION SPEC 114-106118	DRAWING NO C-1971786	RESTRICTED TO -
4 PLC ±	ANGLES ±	WEIGHT -	SCALE -	SHEET 1 OF 1
MATERIAL -	FINISH -	Customer Drawing	REV A	