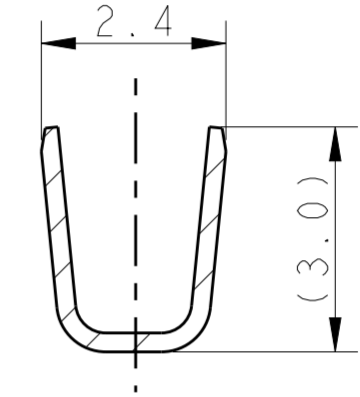
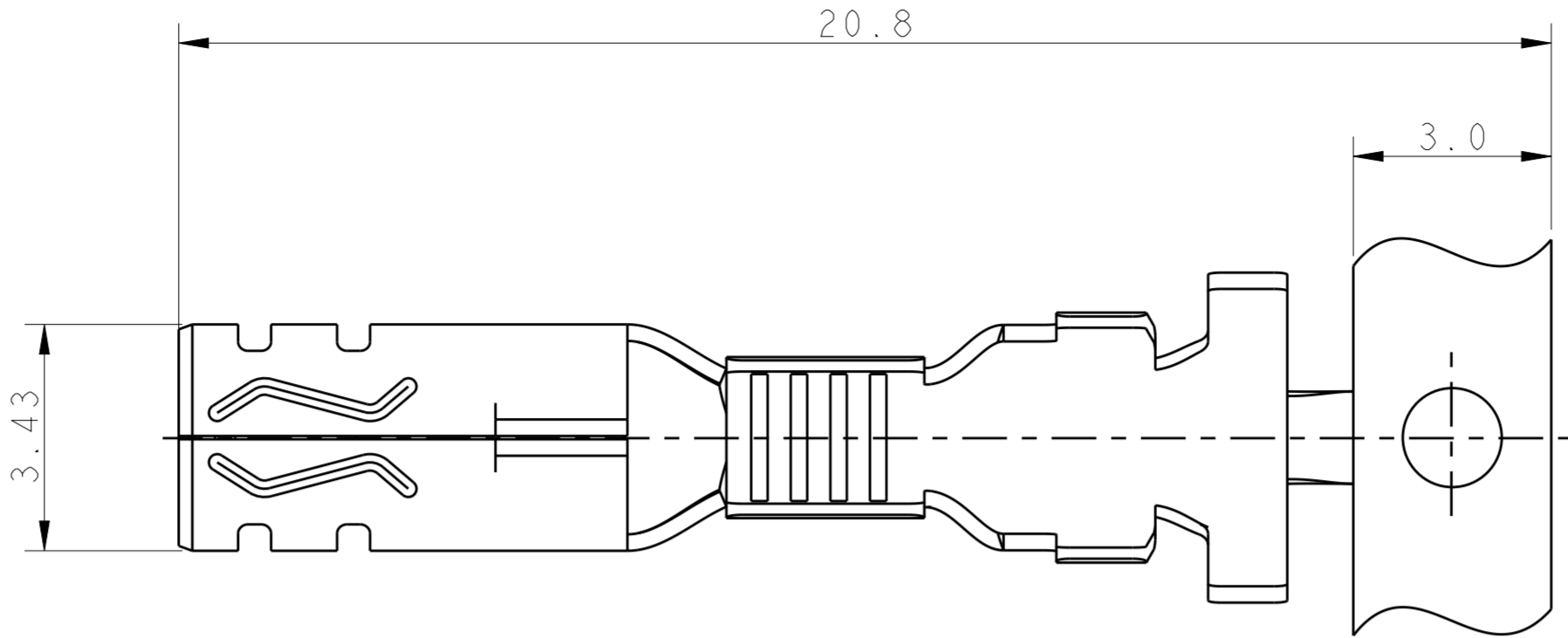
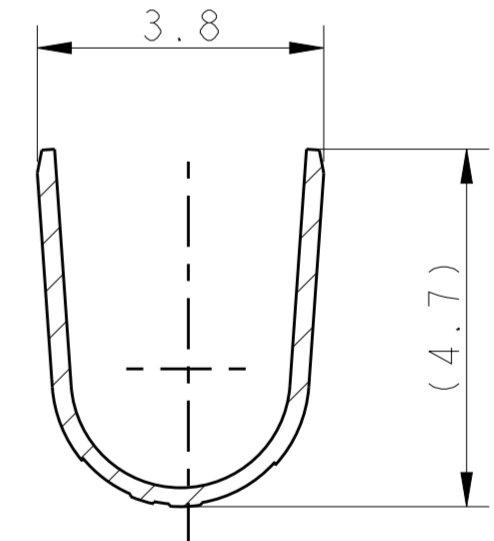
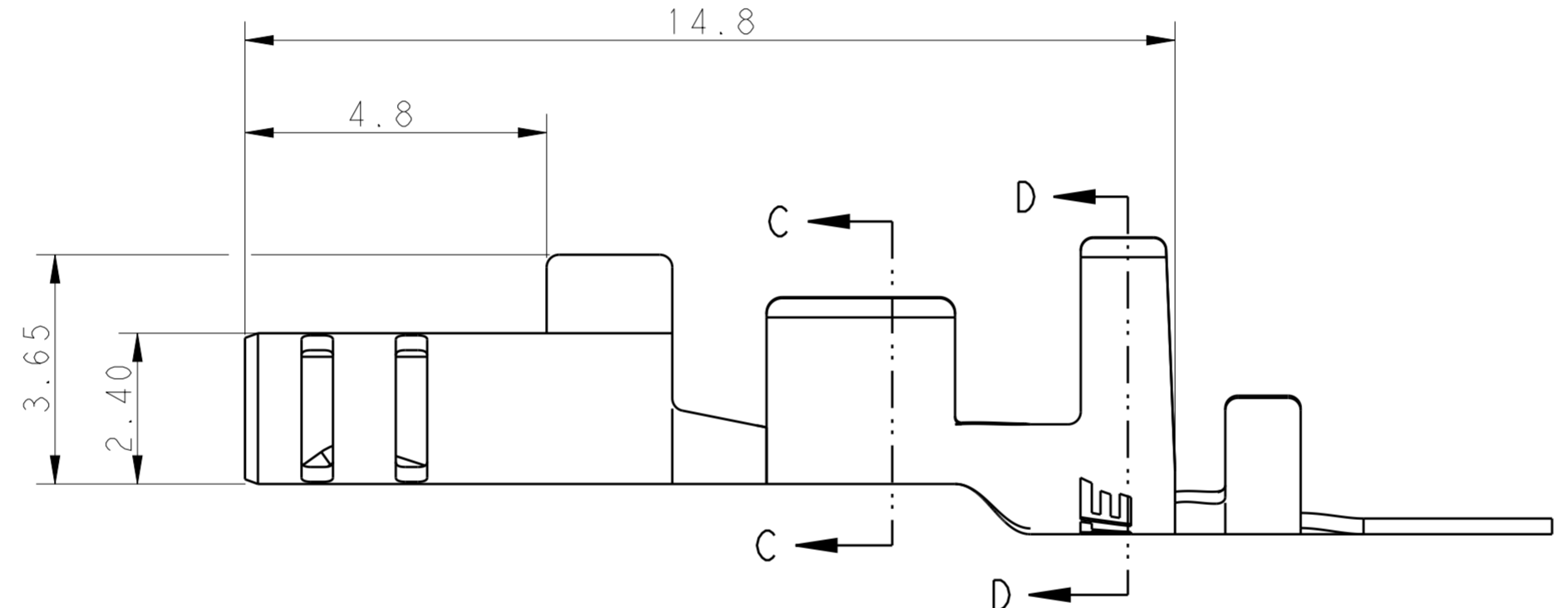


THIS DRAWING IS UNPUBLISHED. RELEASED FOR PUBLICATION 20
 © COPYRIGHT 20 BY - ALL RIGHTS RESERVED.

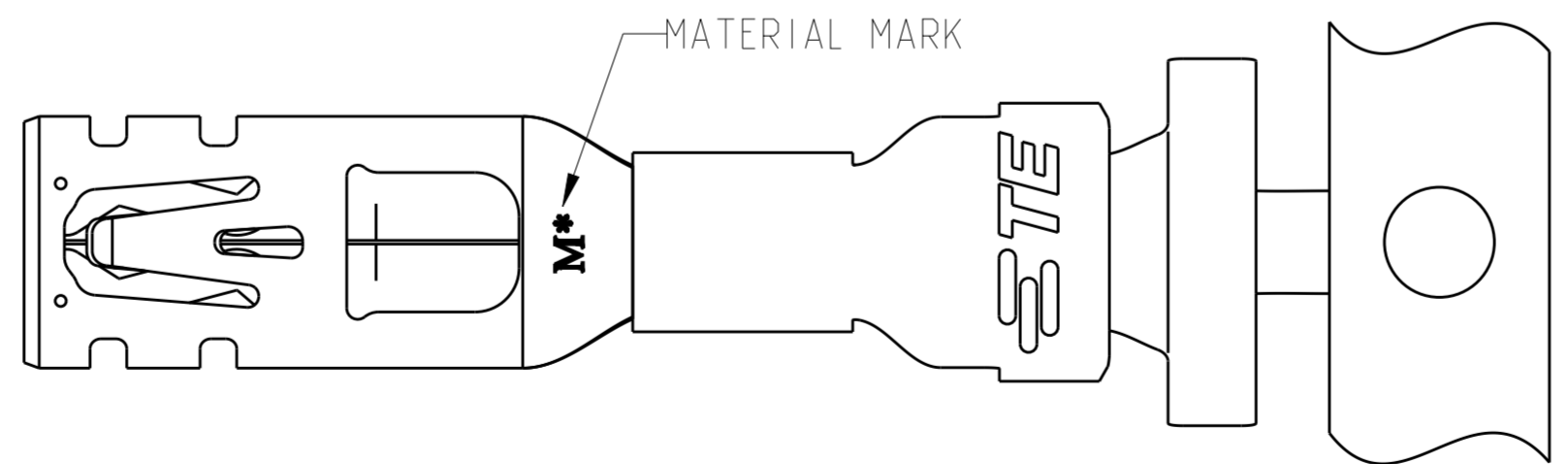
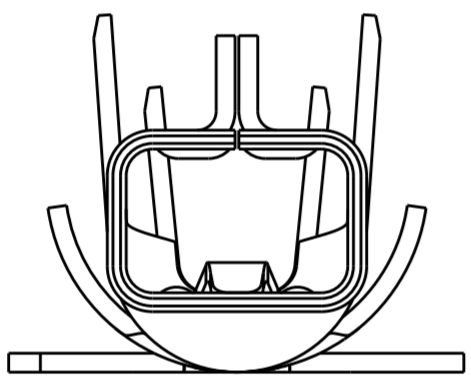
LOC		DIST		REVISIONS			
P	LTR	DESCRIPTION	DATE	DWN	APVD		
ES	00	A	04FEB2013	T.W	YH.M		
-	-	-	-	-	-		



SECTION C-C



SECTION D-D



- NOTE:
1. MATERIAL: COPPER ALLOY, PRE TIN PLATING
 2. PRODUCT SPEC: 108-106118
 3. APPLICATION SPEC: 114-106118
 4. APPLICABLE MATED PLUG HOUSING P/N:
-1971773-/*-1971776-*/*-1971876-*
 5. APPLICABLE WIRE RANGE: 16~20AWG
 6. APPLICABLE INSULATION DIAMETER: 2.40~3.30mm

1. This product has not completed validation testing.

HIGH(150°C)	M0	1971783-2
STANDARD(105°C)	M1	1971783-1
TEMP. RATING	MATERIAL MARK	PART NO

THIS DRAWING IS A CONTROLLED DOCUMENT.

DIMENSIONS: mm	TOLERANCES UNLESS OTHERWISE SPECIFIED: 0 PLC ±0.5 1 PLC ±0.30 2 PLC ±0.30 3 PLC ±0.30 4 PLC ±0.30 ANGLES ± FINISH	DWN TOMMY WU 11JUL2012 CHK HAPYE WU 11JUL2012 APVD YUJHONG MAO 11JUL2012	TE Connectivity	
MATERIAL		PRODUCT SPEC 108-106118	NAME RECEPTACLE CONTACT POWER TRIPLE LOCK	
		APPLICATION SPEC 114-106118	SIZE A2	RESTRICTED TO
		WEIGHT	CAGE CODE 100779	
		Customer Drawing	DRAWING NO 1971783	
			SCALE	SHEET 1 OF 1 REV A