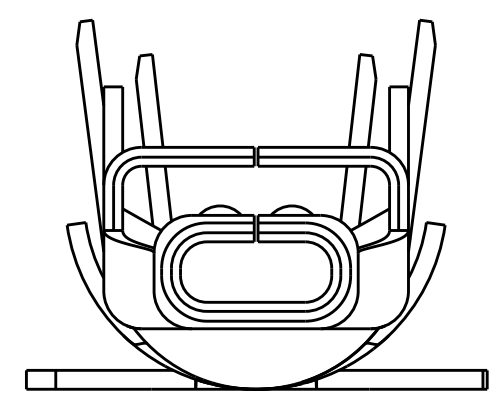
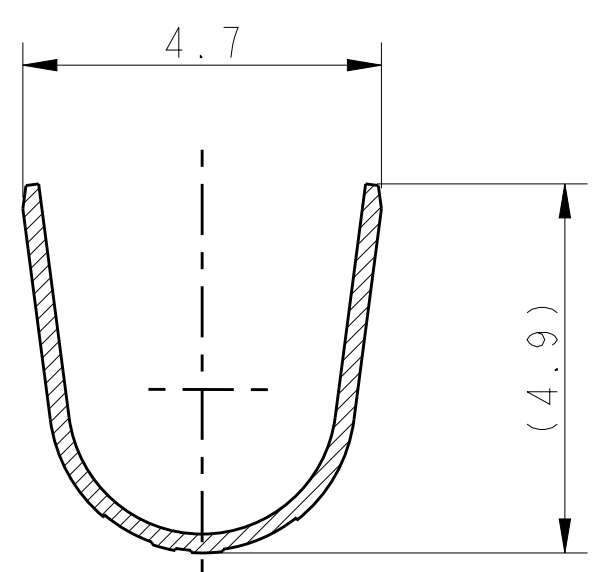
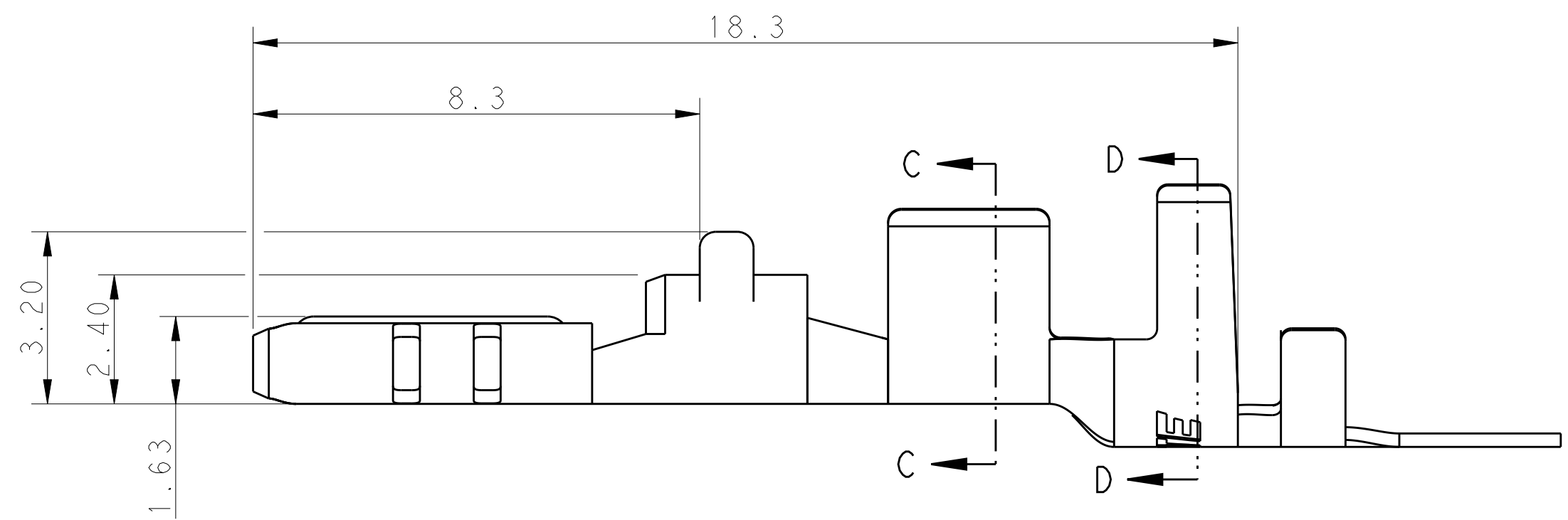
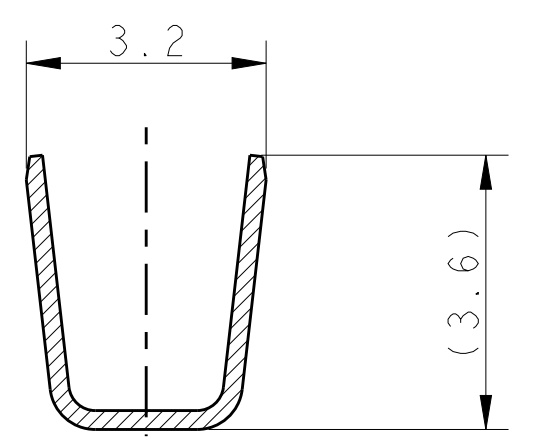
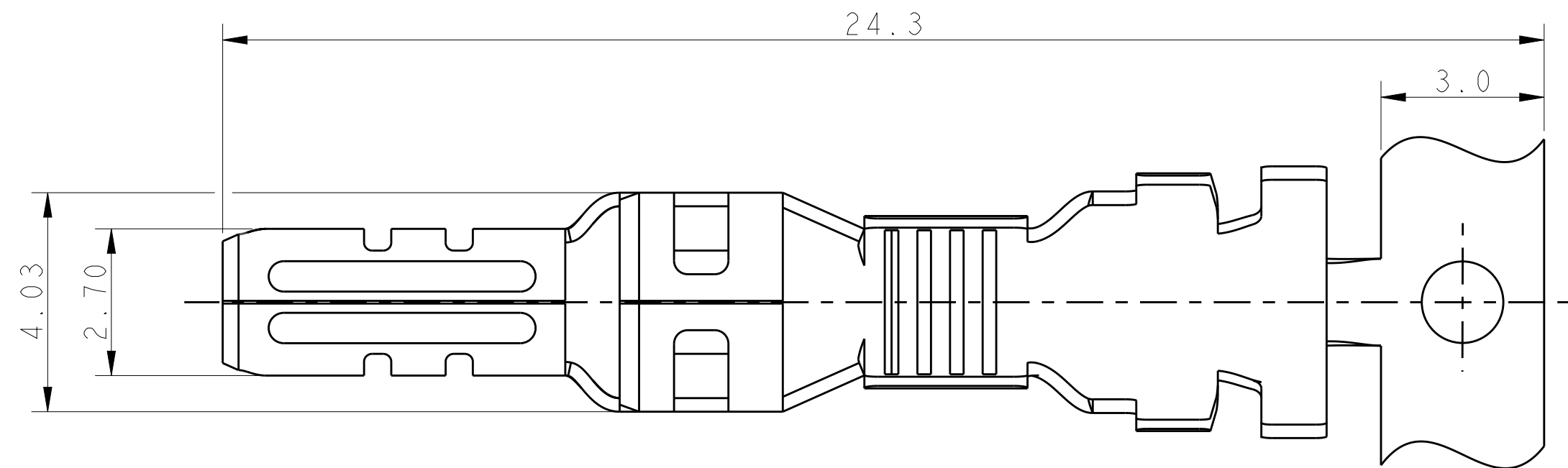


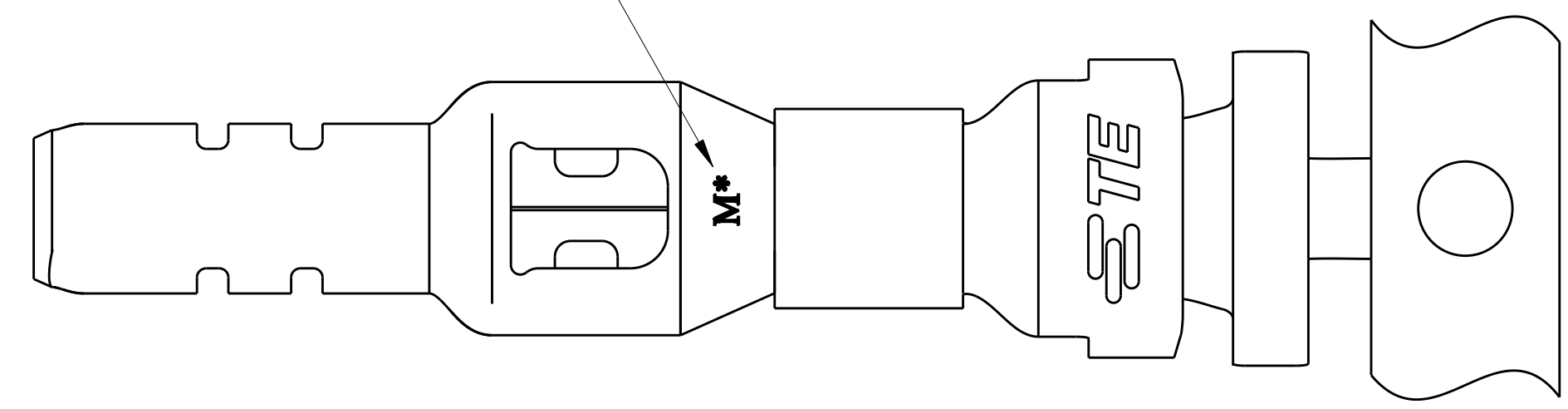
THIS DRAWING IS UNPUBLISHED. RELEASED FOR PUBLICATION 20  
 © COPYRIGHT 20 BY - ALL RIGHTS RESERVED.

LOC ES DIST 00

REVISIONS					
P	LTR	DESCRIPTION	DATE	DWN	APVD
A		RELEASE DRAWING	04FEB2013	T.W	YH.M



MATERIAL MARK



- NOTE:
1. MATERIAL: COPPER ALLOY, PRE TIN PLATING
  2. PRODUCT SPEC: 108-106118
  3. APPLICATION SPEC: 114-106118
  4. APPLICABLE MATED CAP HOUSING P/N:  
 \*-1971771-\*/\*-1971774-\*/\*-1971874-\*/  
 \*-1971772-\*/\*-1971775-\*/\*-1971875-\*
  5. APPLICABLE WIRE: 14AWG
  6. APPLICABLE INSULATION DIAMETER: 3.40~3.70mm

1. This product has not completed validation testing.

HIGH(150°C)	M0	1971782-2
STANDARD(105°C)	M8	1971782-1
TEMP. RATING	MATERIAL MARK	PART NO

THIS DRAWING IS A CONTROLLED DOCUMENT.

DIMENSIONS: mm	TOLERANCES UNLESS OTHERWISE SPECIFIED:	DWN TOMMY WU 11JUL2011	TE Connectivity NAME TAB CONTACT POWER TRIPLE LOCK
	0 PLC ± -	CHK HAPYE WU 11JUL2011	
	1 PLC ±0.5	APVD YUHONG MAO 11JUL2011	
	2 PLC ±0.30	PRODUCT SPEC 108-106118	
	3 PLC ±0.30	APPLICATION SPEC 114-106118	
MATERIAL	FINISH	WEIGHT	RESTRICTED TO
-	-	-	A2100779C-1971782
Customer Drawing			SCALE - SHEET 1 OF 1 REV A