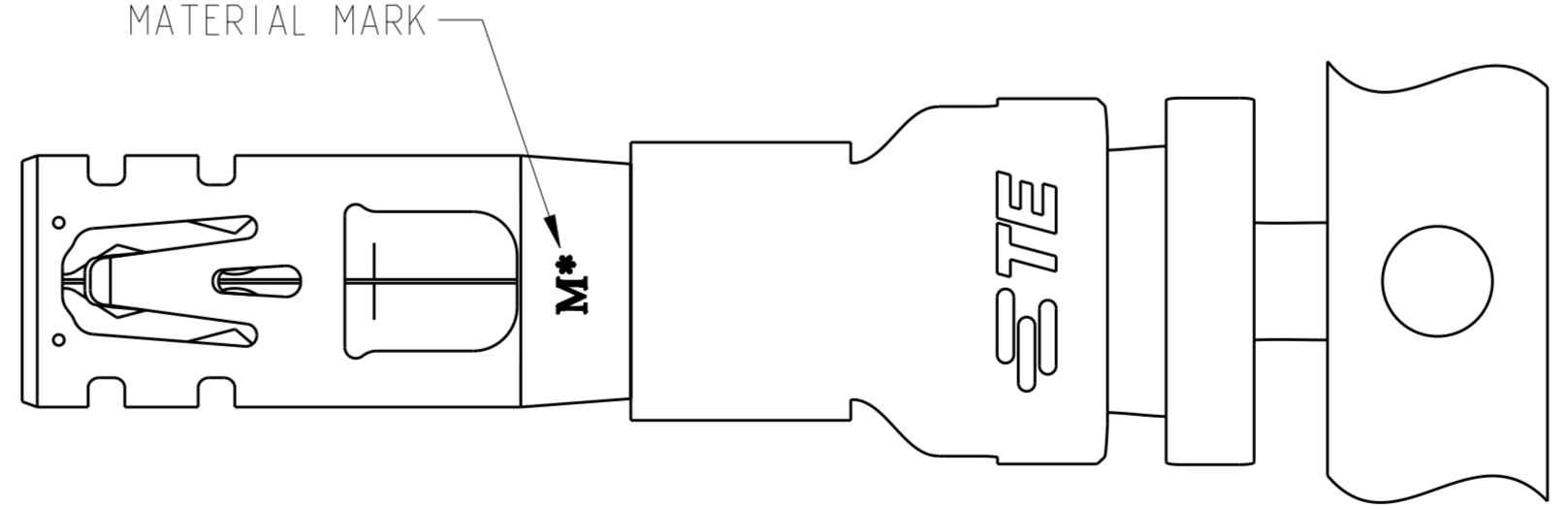
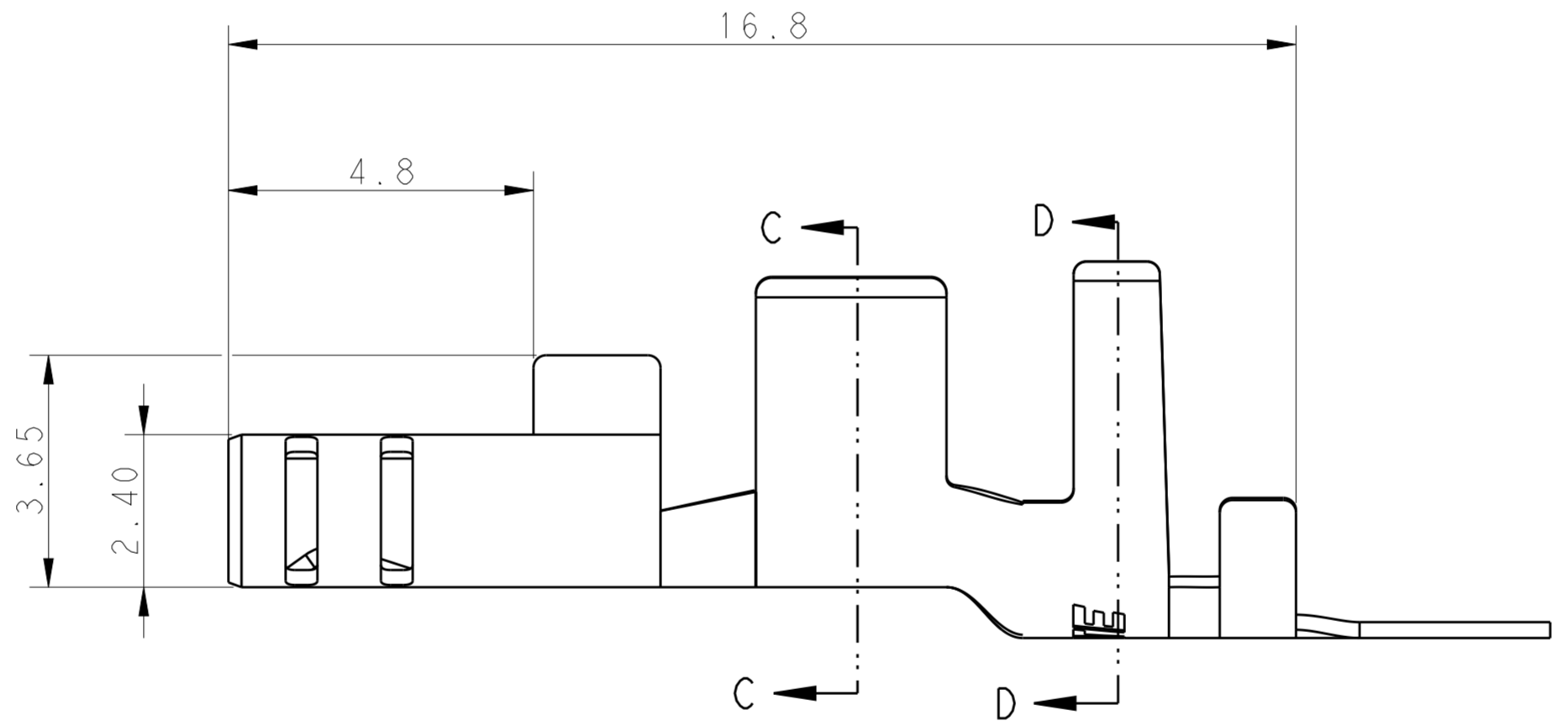
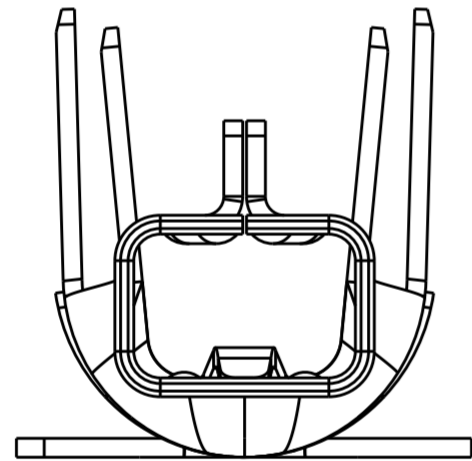
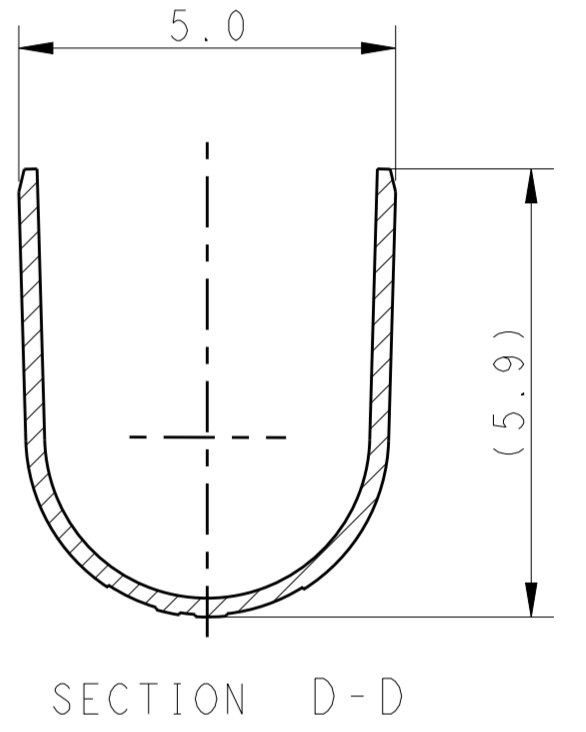
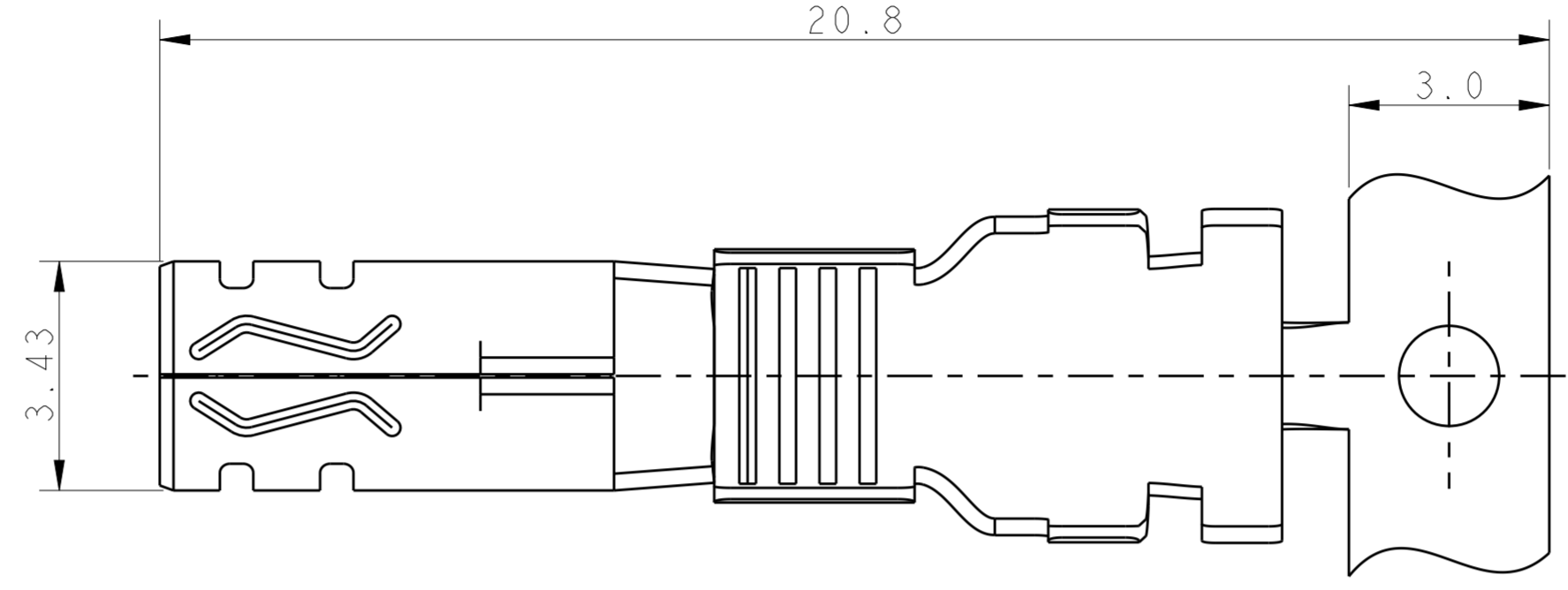
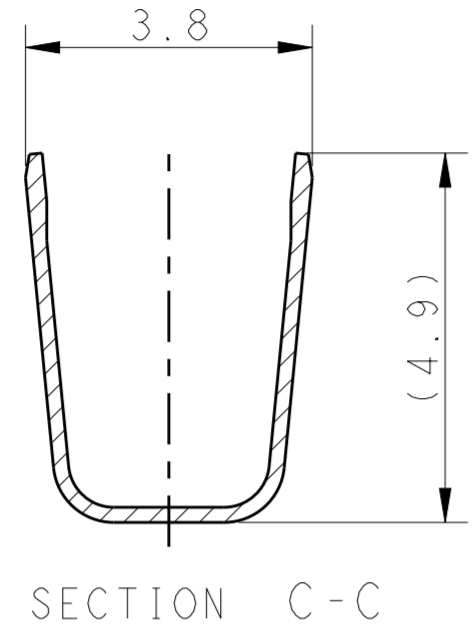


THIS DRAWING IS UNPUBLISHED. RELEASED FOR PUBLICATION 20
 © COPYRIGHT 20 BY - ALL RIGHTS RESERVED.

LOC	DIST	REVISIONS			
P	LTR	DESCRIPTION	DATE	DWN	APVD
ES	00	A	RELEASE DRAWING	04FEB2013	T.W YH.M



- NOTE:
1. MATERIAL: COPPER ALLOY, PRE TIN PLATING
 2. PRODUCT SPEC: 108-106118
 3. APPLICATION SPEC: 114-106118
 4. APPLICABLE MATED PLUG HOUSING P/N:
-1971773-/*-1971776-*/*-1971876-*
 5. APPLICABLE WIRE: 12AWG
 6. APPLICABLE INSULATION DIAMETER: 3.85~4.25mm

1. This product has not completed validation testing.

HIGH(150°C)	M0	1971779-2
STANDARD(105°C)	M4	1971779-1
TEMP. RATING	MATERIAL MARK	PART NO

THIS DRAWING IS A CONTROLLED DOCUMENT.		DWN TOMMY WU 11JUL2012	STE TE Connectivity	
		CHK HAPYE WU 11JUL2012		
		APVD YUHONG MAO 11JUL2012	NAME RECEPTACLE CONTACT POWER TRIPLE LOCK	
DIMENSIONS: mm		PRODUCT SPEC 108-106118	SIZE CAGE CODE DRAWING NO RESTRICTED TO	
TOLERANCES UNLESS OTHERWISE SPECIFIED:		APPLICATION SPEC 114-106118	A200779 C-1971779	
MATERIAL		WEIGHT	SCALE SHEET 1 OF 1 REV A	
		Customer Drawing		