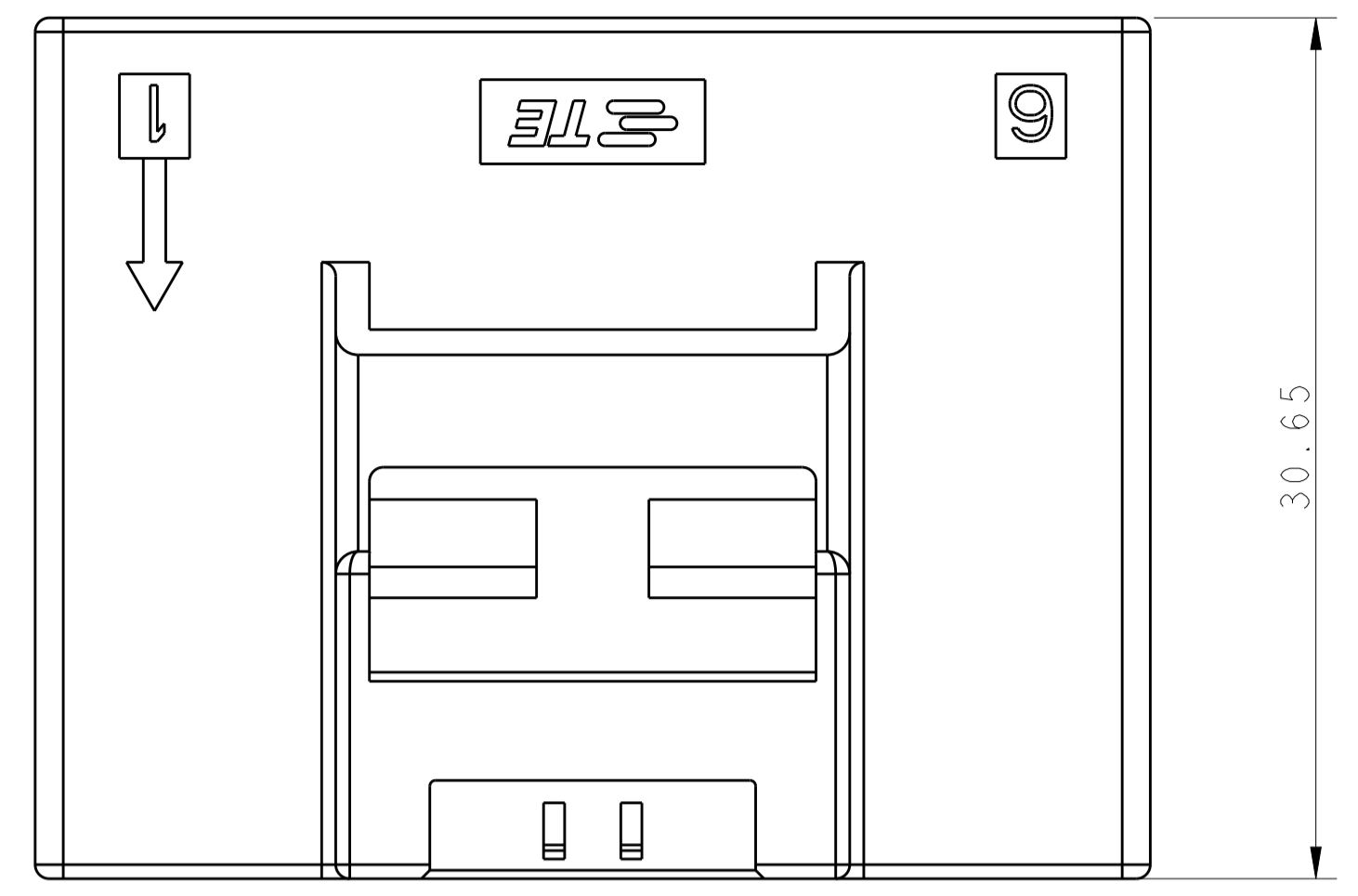
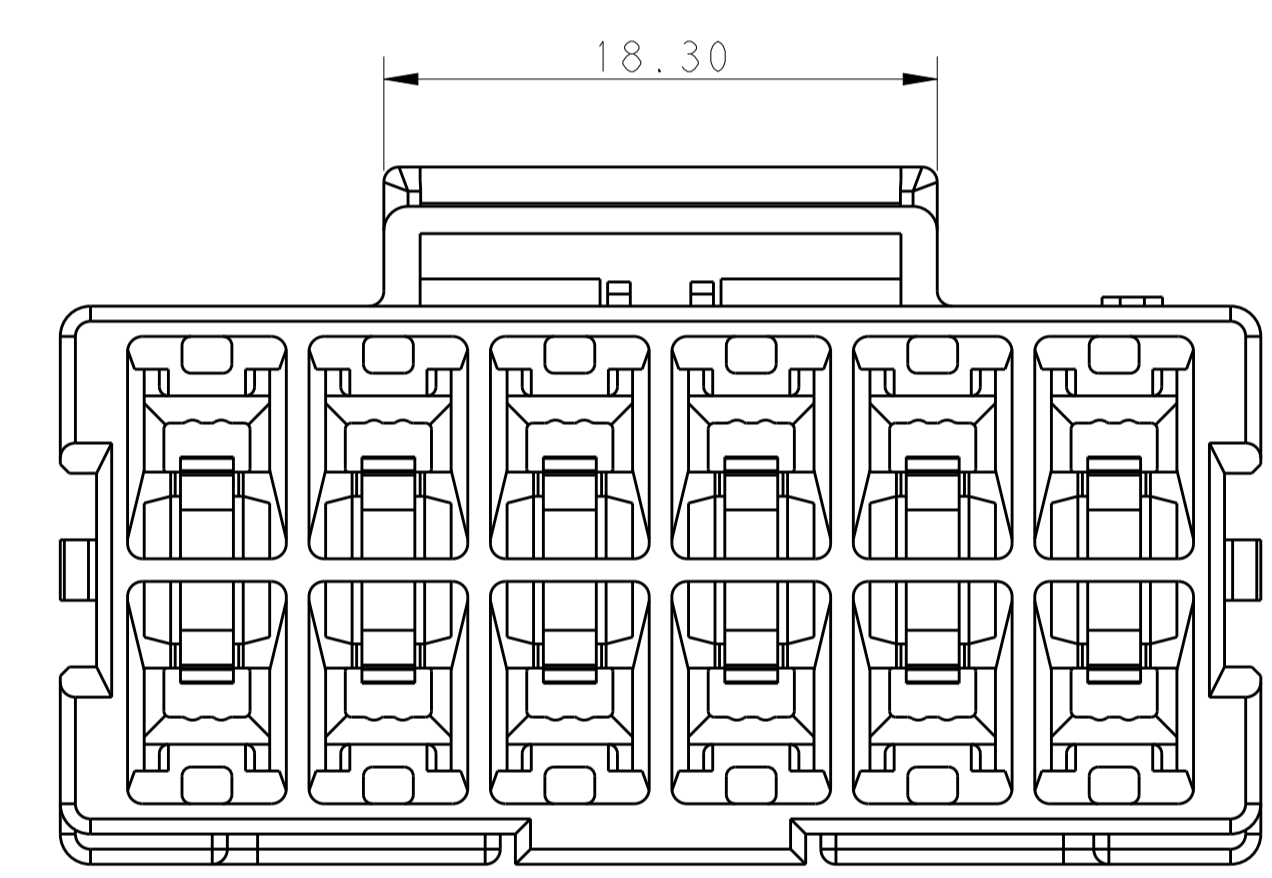
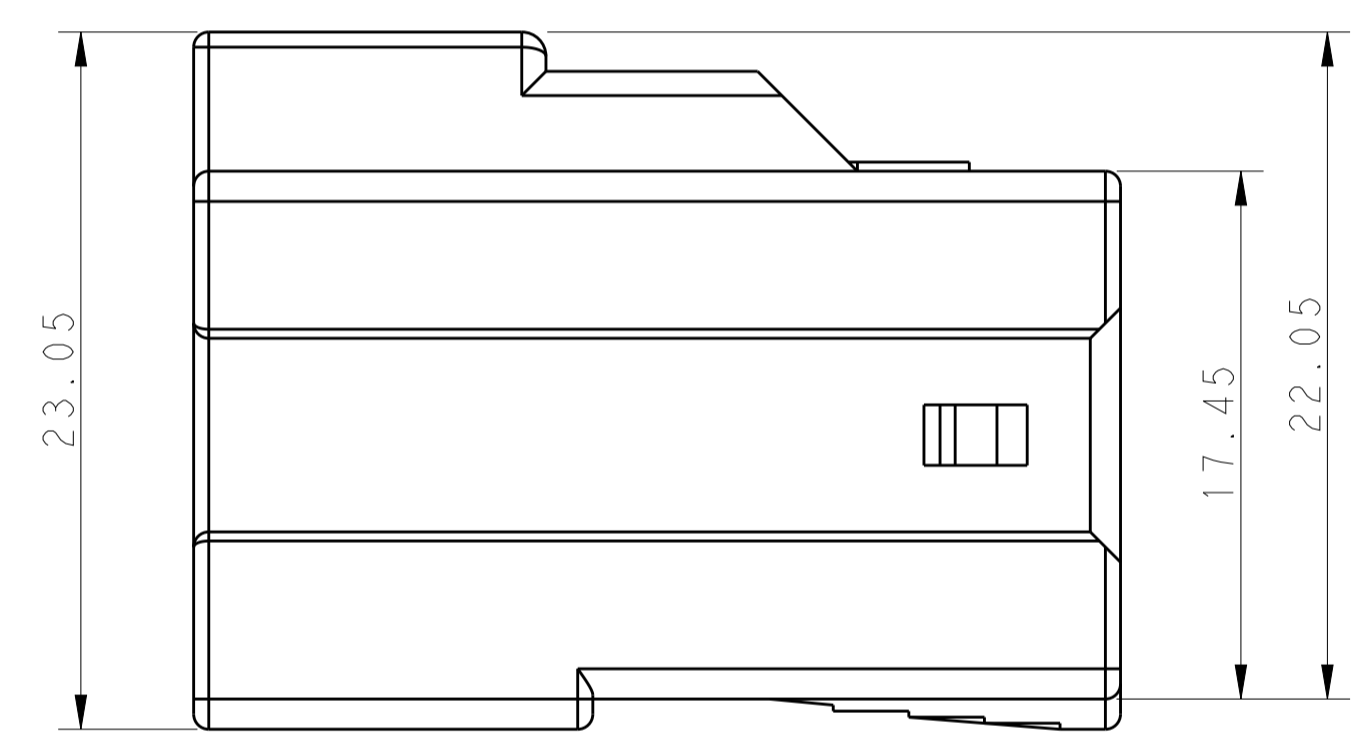
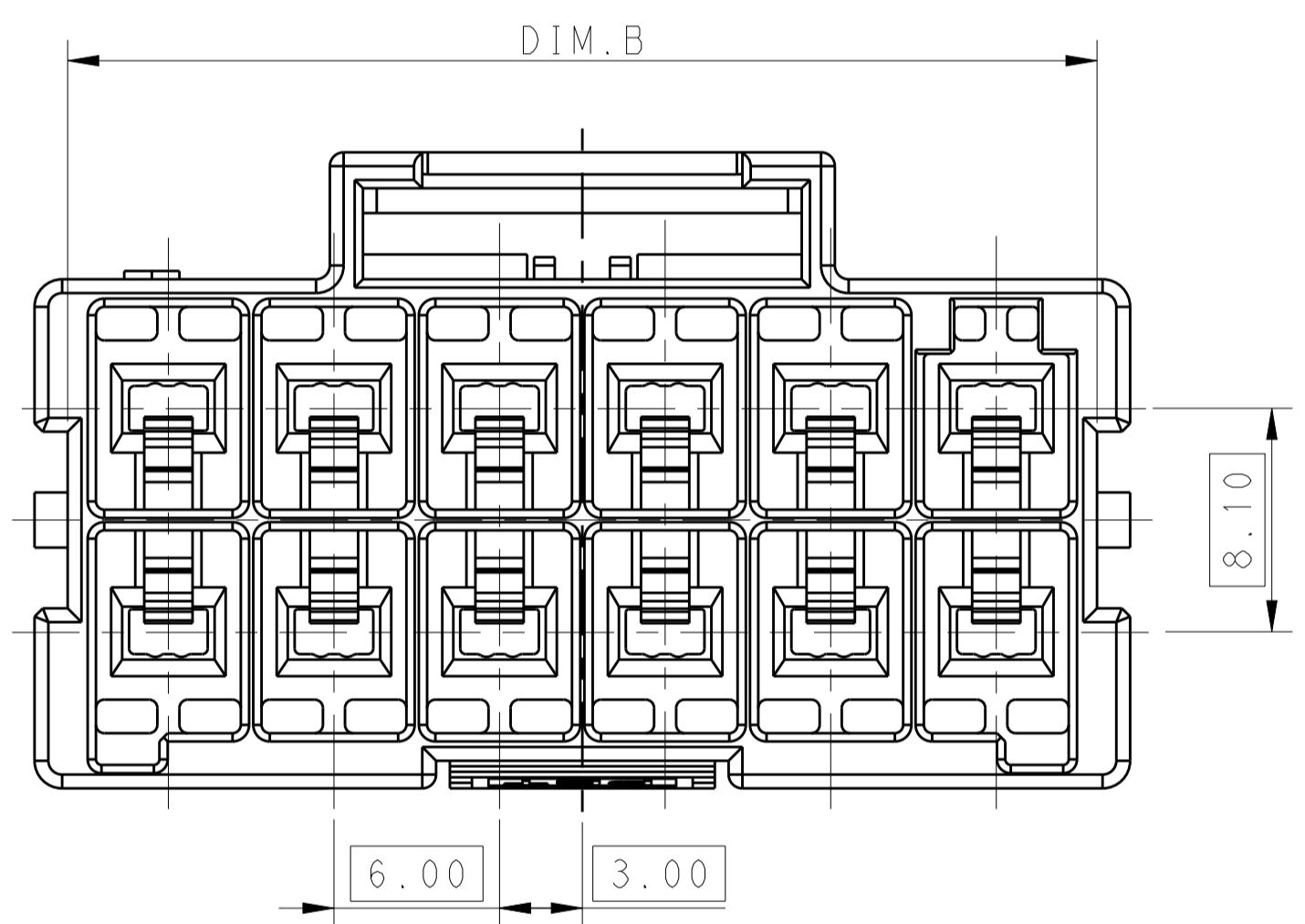


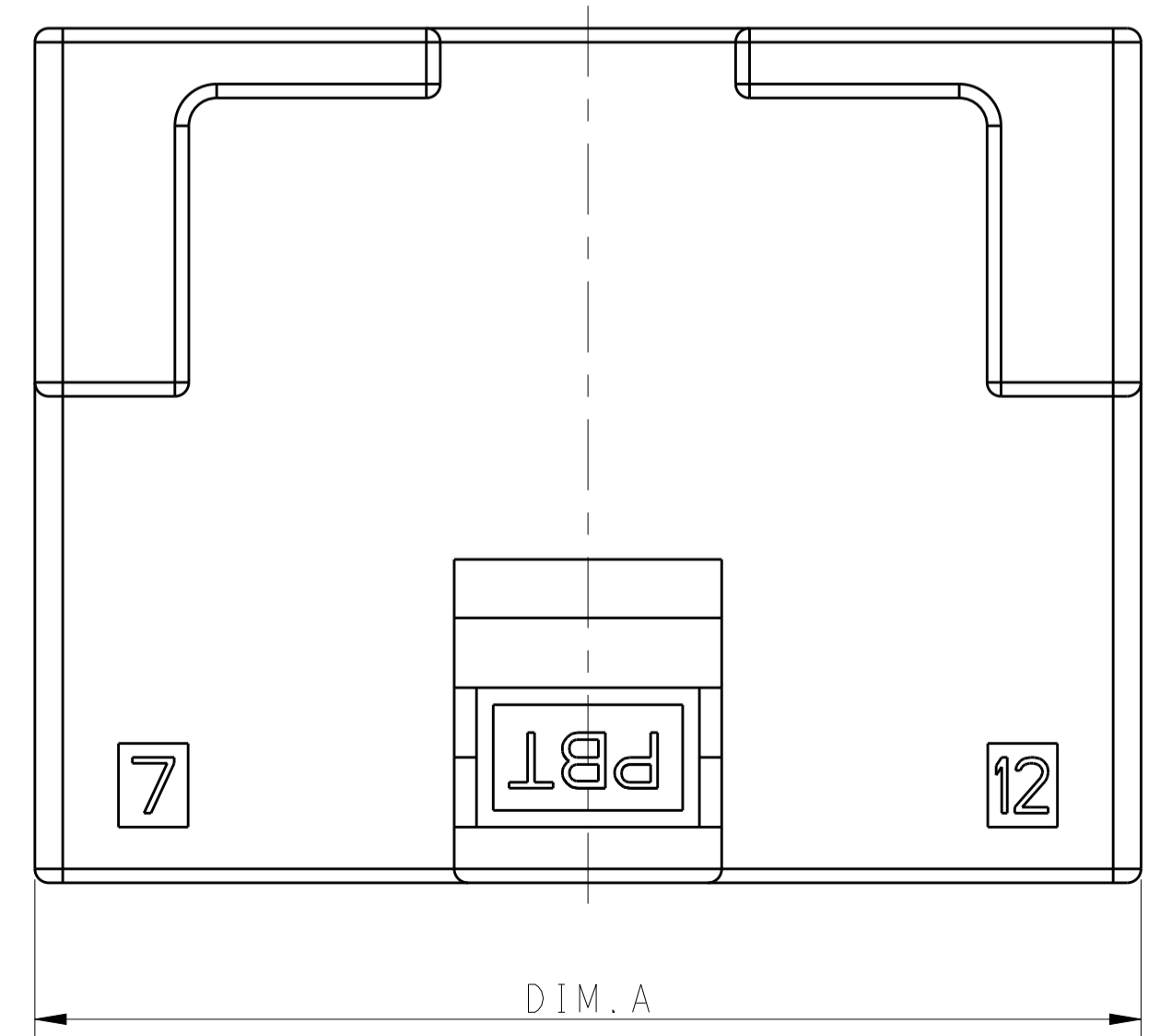
LOC	DIST	REVISIONS					
		P.	LTH	DESCRIPTION	DATE	DWN	APVD
		A		RELEASE DRAWING	04FEB2013	T.W	YH.M
		A1		ECR-13-005295	26MAR2013	T.W	YH.M



POS.	DIM. A	DIM. B
2*6	39.70	37.30
2*5	33.70	31.30
2*4	27.70	25.30
2*3	21.70	19.30



1. This product has not completed validation testing.

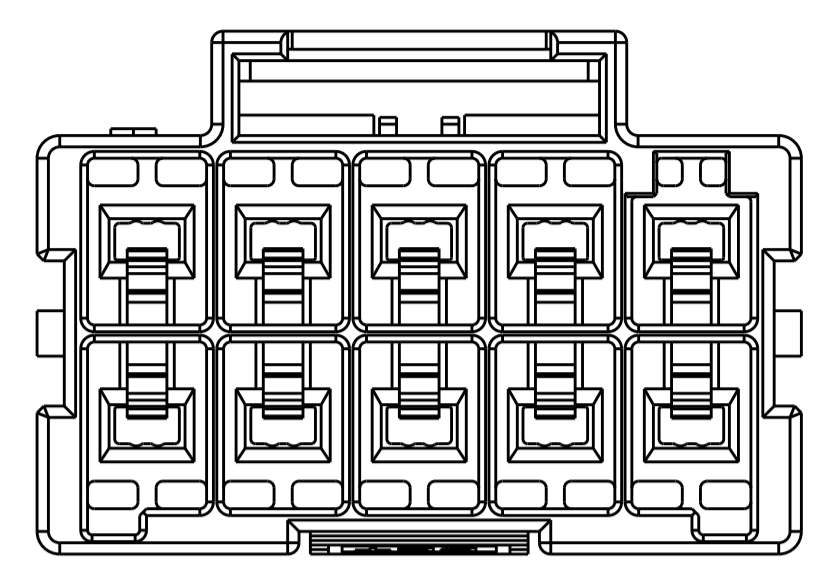
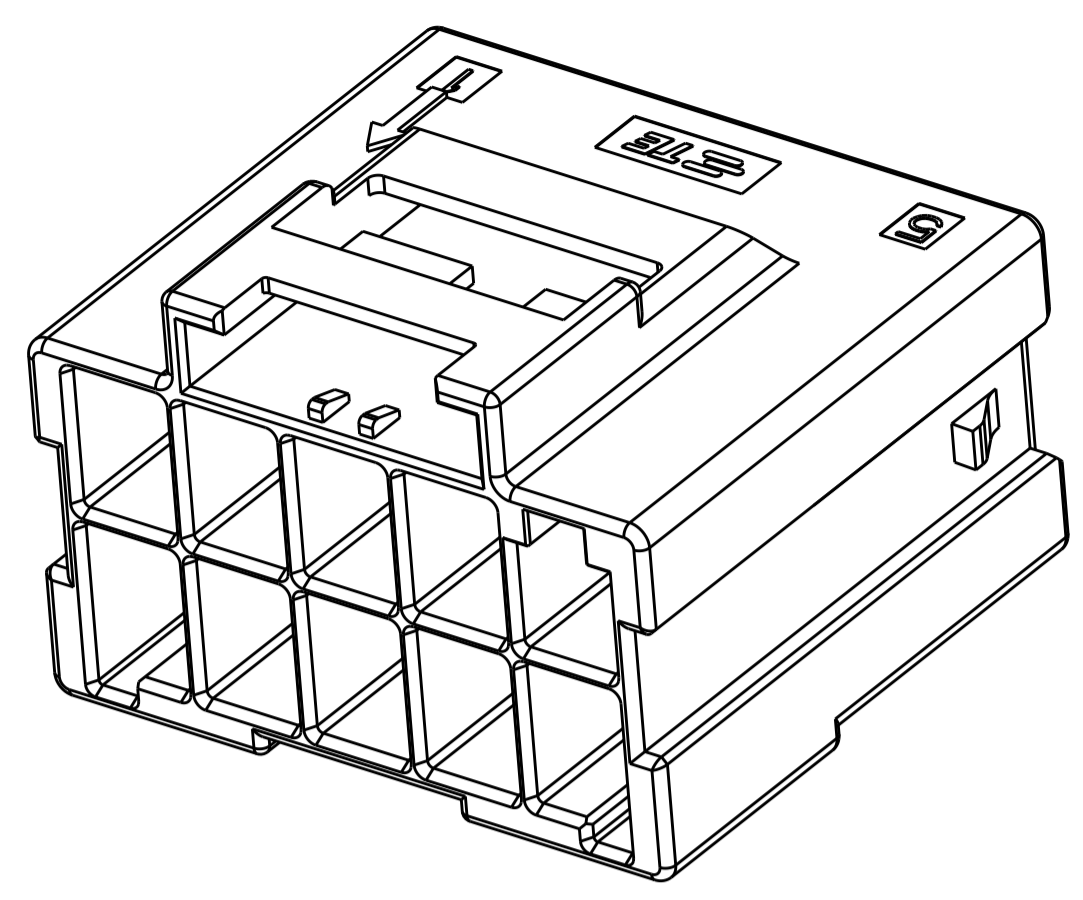


- NOTE
- MATERIAL:
 LEVEL 1:PBT,STANDARD
 KEY A:NATRUAL; KEY B:PURPLE; KEY C:BLUE; KEY D:YELLOW

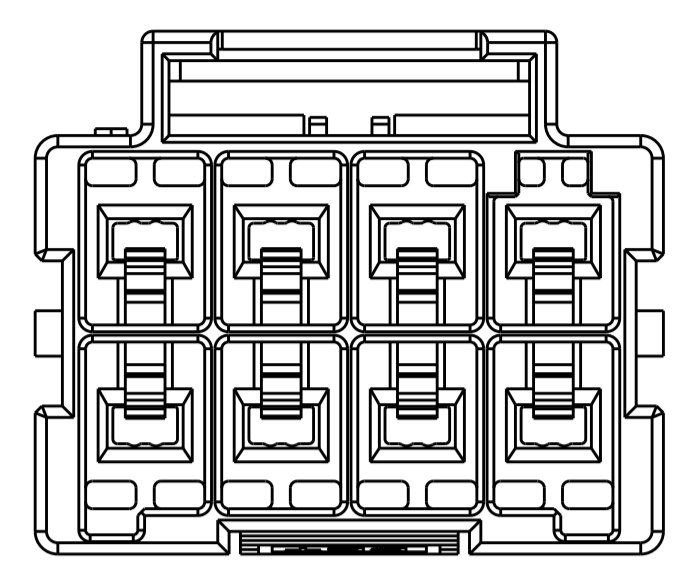
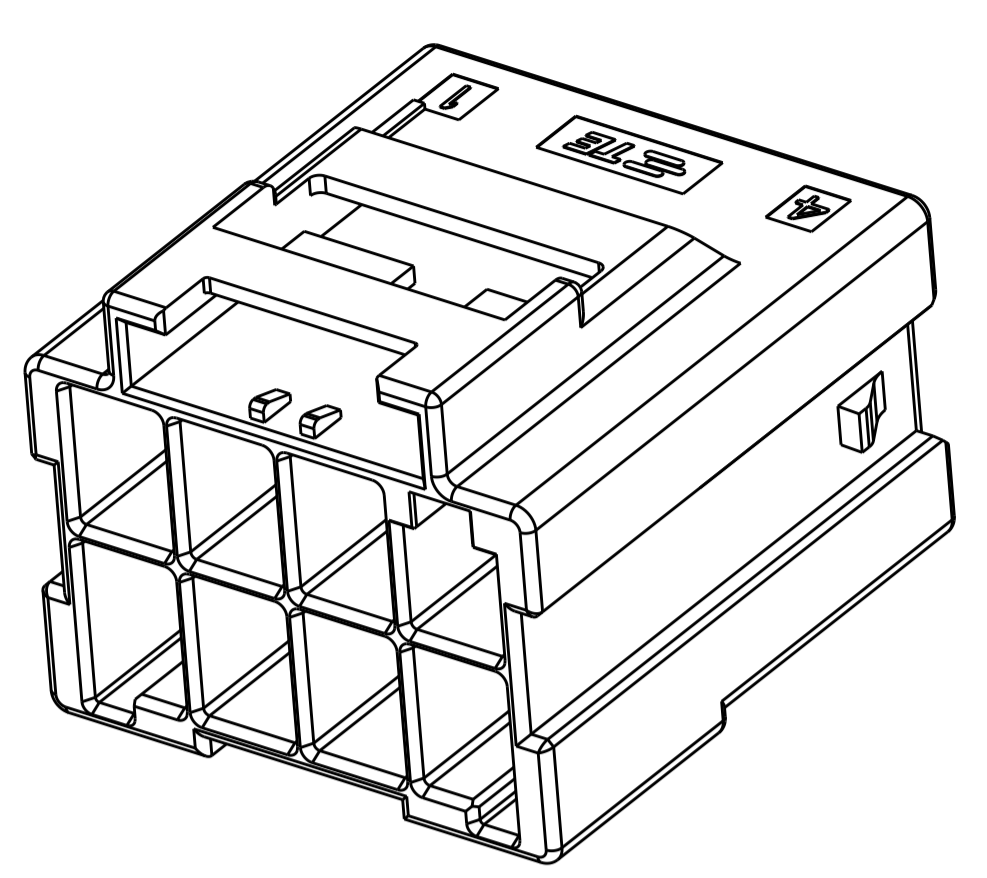
 LEVEL 2:NYLON,HIGH TEMPERATURE 150°C
 KEY A:LIGHT GREY; KEY B:LIGHT GREY; KEY C:LIGHT GREY; KEY D:LIGHT GREY
 - MATERIAL MARK:
 LEVEL 1:PBT,LEVEL 2:HDT
 - APPLICABLE CONTACT P/N
 TAB CONTACT:1971238/1971780/82/84/86/88-*
 - MATING CONN, P/N
 PLUG HSG: *-1971776-
 DOUBLE LOCK PLATE: *-1971778-*
 - PRODUCT SPEC: 108-106118
 - APPLICATION SPEC: 114-116118

THIS DRAWING IS A CONTROLLED DOCUMENT.		DWN: TOMMY WU 09JUL2012	STE TE Connectivity
DIMENSIONS: mm		CHK: HAPYE WU 09JUL2012	
TOLERANCES UNLESS OTHERWISE SPECIFIED:		APVD: YIHONG MAO 09JUL2012	NAME: CAP HOUSING, FREE HANGING, DOUBLE ROW POWER TRIPLE LOCK
0 PLC ±	1 PLC ±0.35	PRODUCT SPEC: 108-106118	SIZE: A1
2 PLC ±0.25	3 PLC ±	APPLICATION SPEC: 114-106118	CAGE CODE: 00779
4 PLC ±	ANGLES ±	WEIGHT: -	DRAWING NO: 1971774
MATERIAL: -	FINISH: -	Customer Drawing	RESTRICTED TO: -
SCALE: -			SHEET: 1 OF 2
REV: A1			

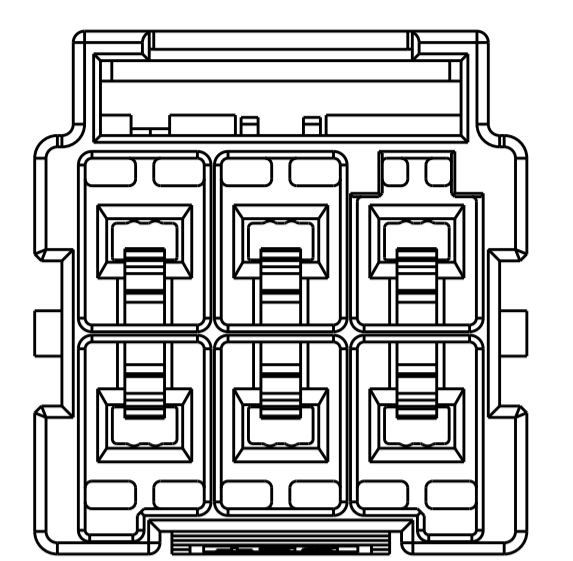
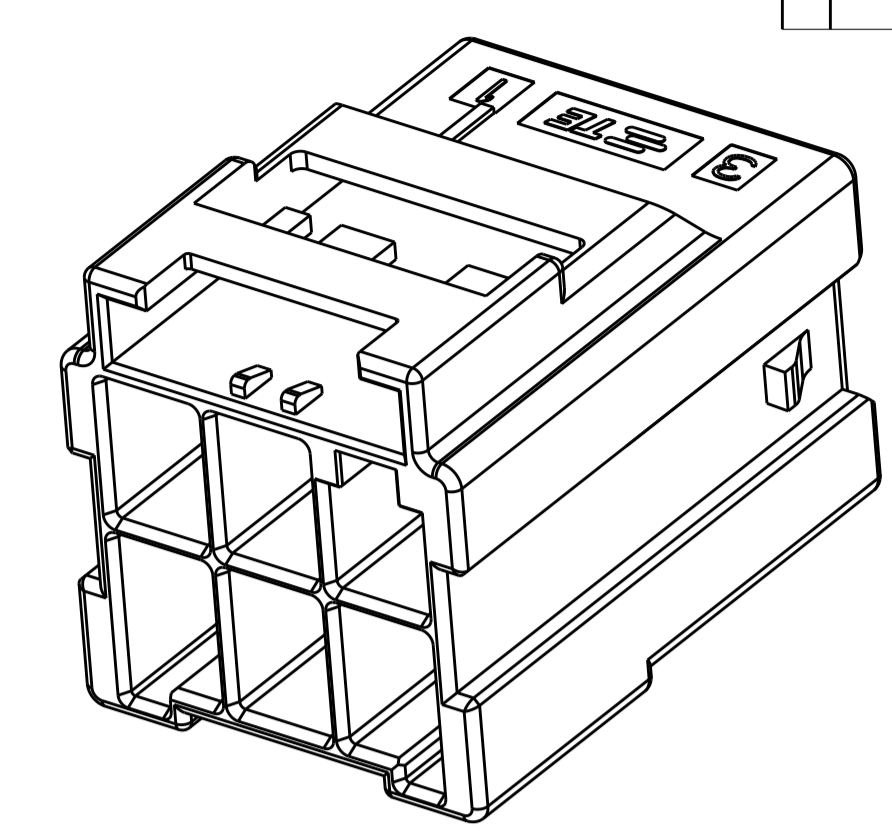
LOC		DIST		REVISIONS			
P	LTN	DESCRIPTION	DATE	OWN	APVD		
-	-	SEE SHEET 1	-	-	-		



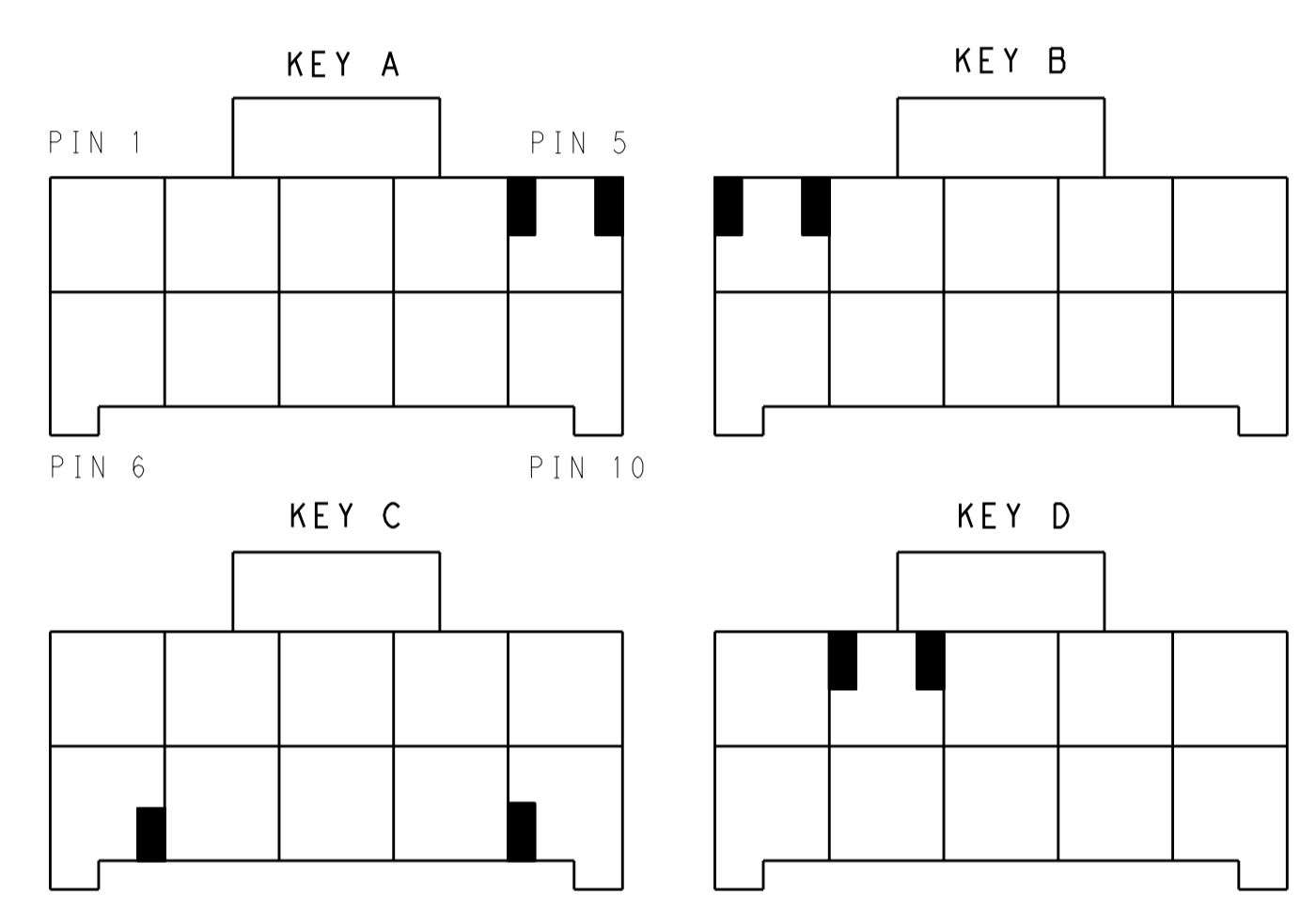
2*5 POSITIONS



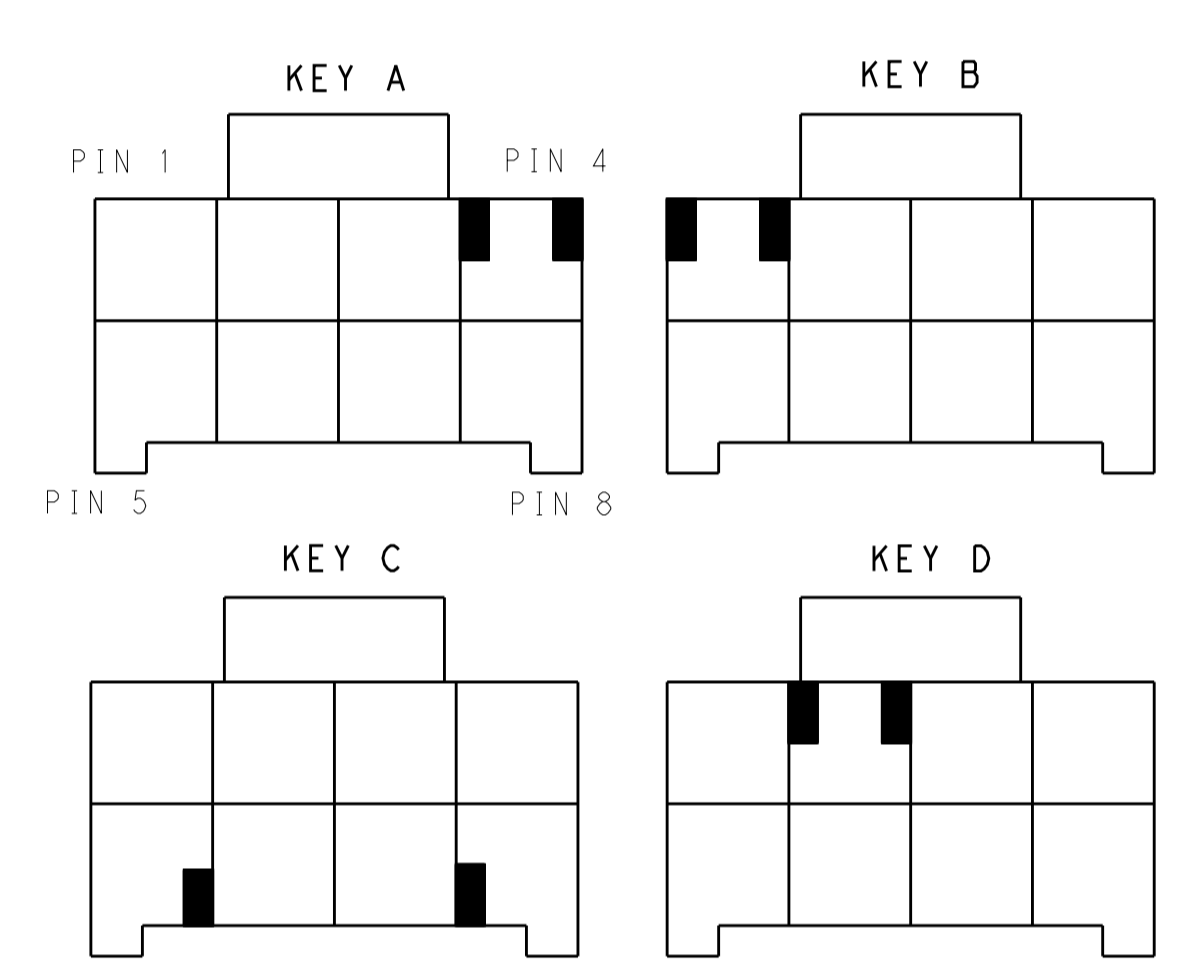
2*4 POSITIONS



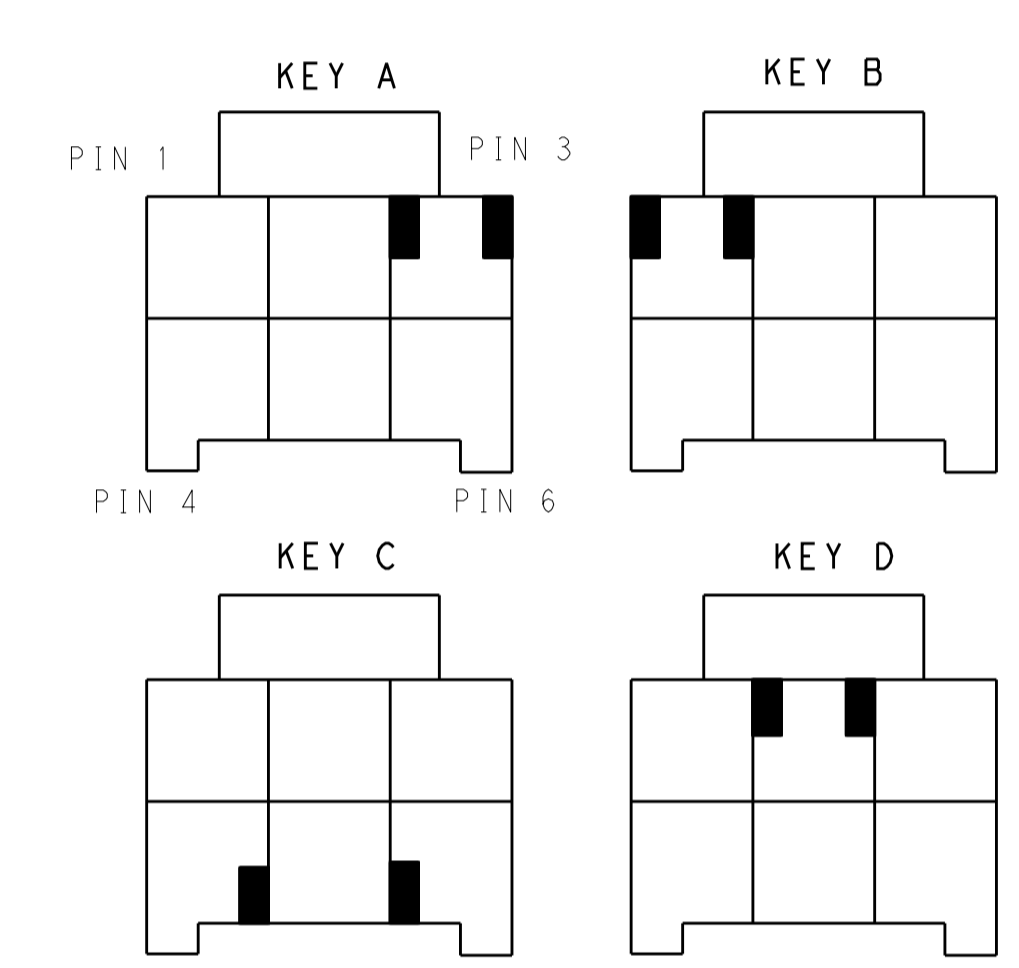
2*3 POSITIONS



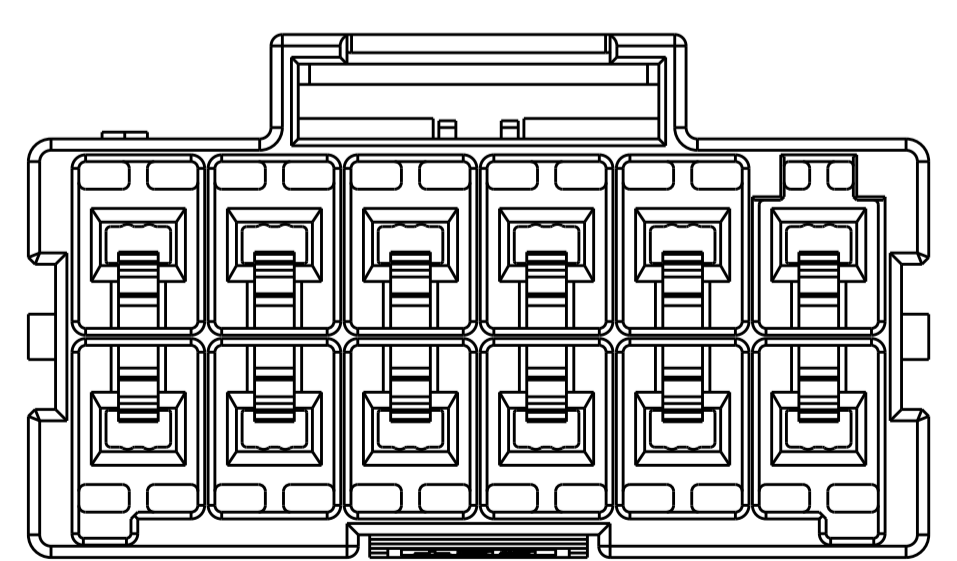
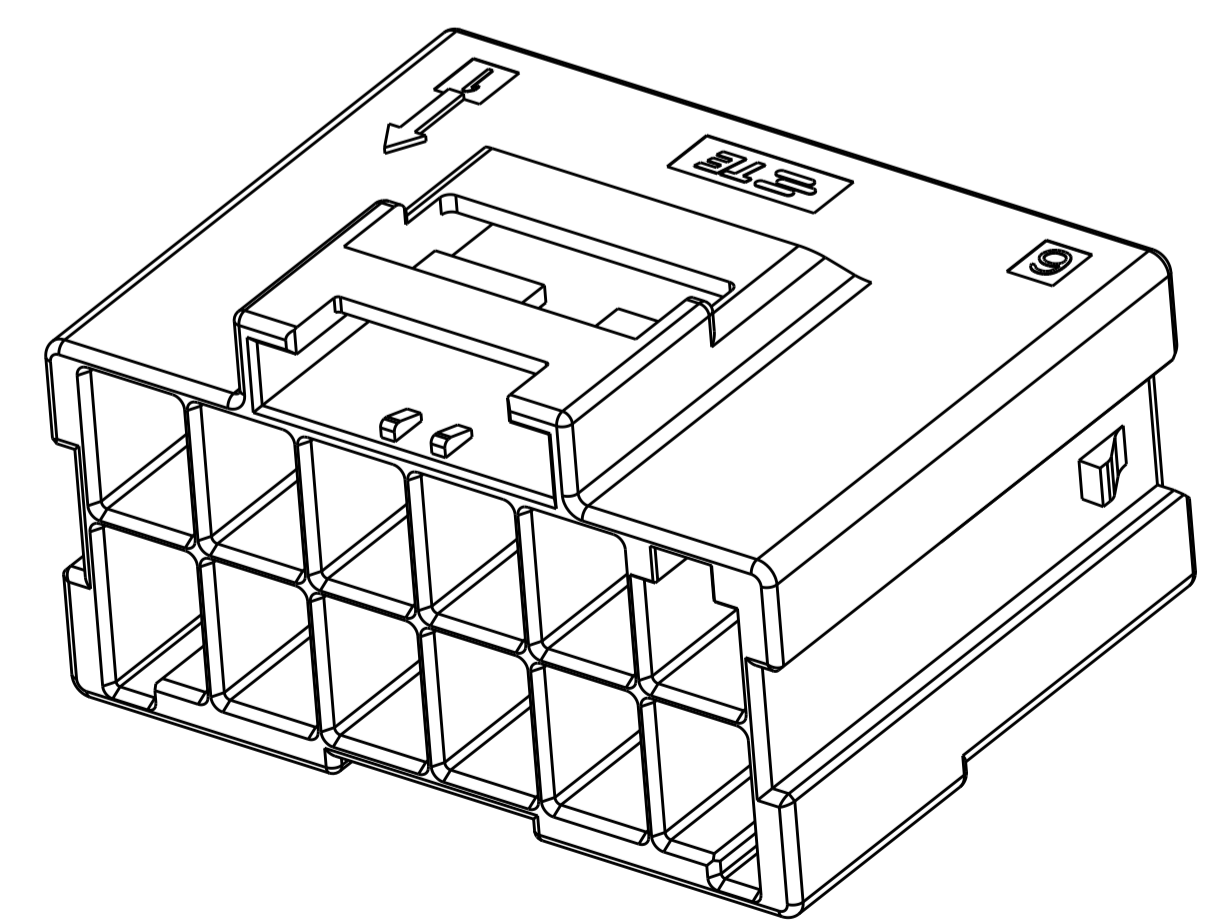
KEYING FOR 2*5 POS.



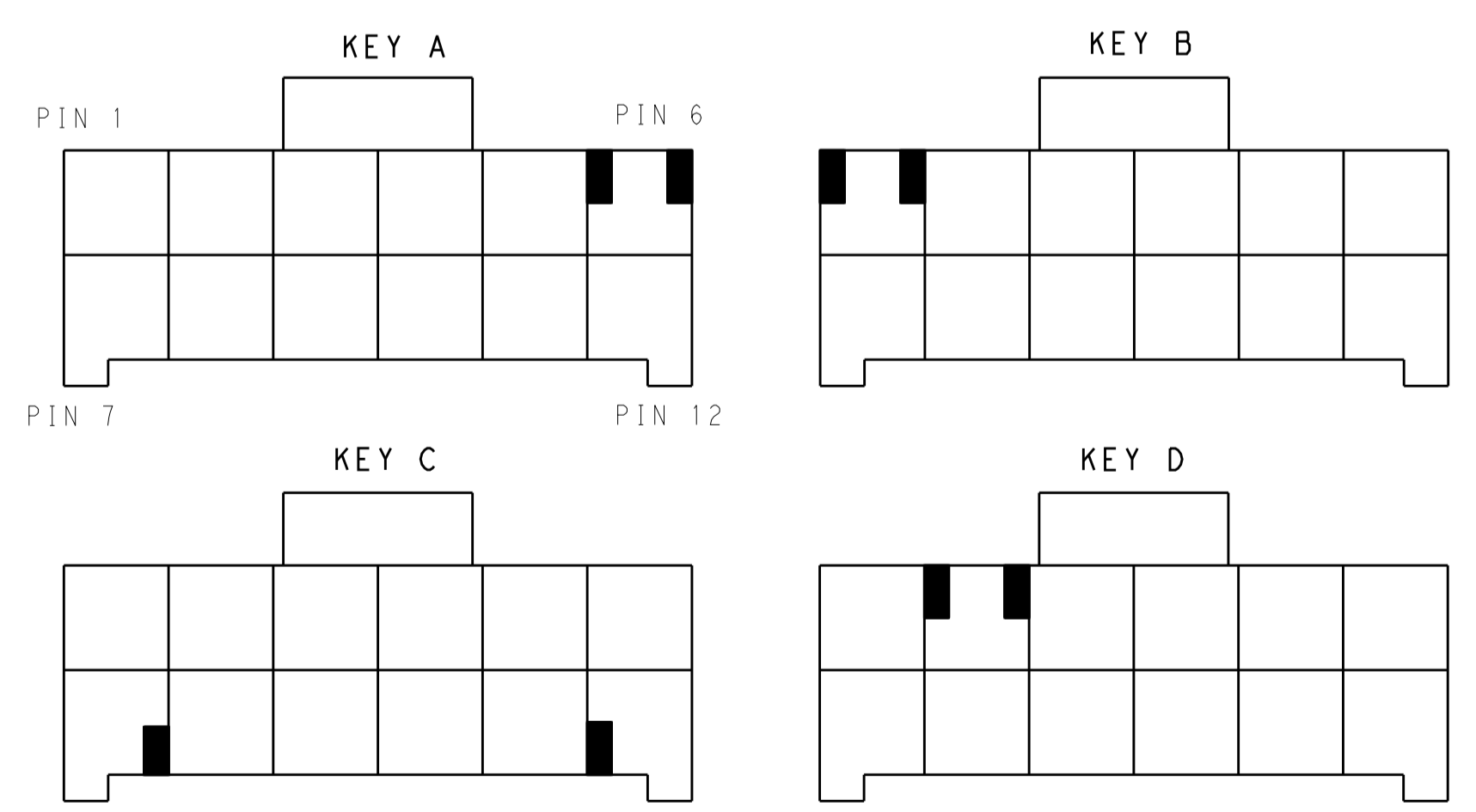
KEYING FOR 2*4 POS.



KEYING FOR 2*3 POS.



2*6 POSITIONS



KEYING FOR 2*6 POS.

POS.	MATERIAL	KEY	P/N
2*6	LEVEL 1	KEY A	1-1971774-6
		KEY B	2-1971774-6
		KEY C	3-1971774-6
		KEY D	4-1971774-6
2*6	LEVEL 2	KEY A	5-1971774-6
		KEY B	6-1971774-6
		KEY C	7-1971774-6
		KEY D	8-1971774-6
2*5	LEVEL 1	KEY A	1-1971774-5
		KEY B	2-1971774-5
		KEY C	3-1971774-5
		KEY D	4-1971774-5
2*5	LEVEL 2	KEY A	5-1971774-5
		KEY B	6-1971774-5
		KEY C	7-1971774-5
		KEY D	8-1971774-5

POS.	MATERIAL	KEY	P/N
2*4	LEVEL 1	KEY A	1-1971774-4
		KEY B	2-1971774-4
		KEY C	3-1971774-4
		KEY D	4-1971774-4
2*4	LEVEL 2	KEY A	5-1971774-4
		KEY B	6-1971774-4
		KEY C	7-1971774-4
		KEY D	8-1971774-4
2*3	LEVEL 1	KEY A	1-1971774-3
		KEY B	2-1971774-3
		KEY C	3-1971774-3
		KEY D	4-1971774-3
2*3	LEVEL 2	KEY A	5-1971774-3
		KEY B	6-1971774-3
		KEY C	7-1971774-3
		KEY D	8-1971774-3

THIS DRAWING IS A CONTROLLED DOCUMENT.

OWN: TOMMY WU 09JUL2012
 CHK: HAPYE WU 09JUL2012
 APVD: YUZHONG MAO 09JUL2012

STE TE Connectivity

NAME: CAP HOUSING, FREE HANGING, DOUBLE ROW POWER TRIPLE LOCK

PRODUCT SPEC: 108-106118
 APPLICATION SPEC: 114-106118

SIZE: A1 CAGE CODE: 00779 DRAWING NO: 1971774

RESTRICTED TO: A1 00779 C=1971774

Customer Drawing SCALE: SHEET 2 OF 2 REV: A1