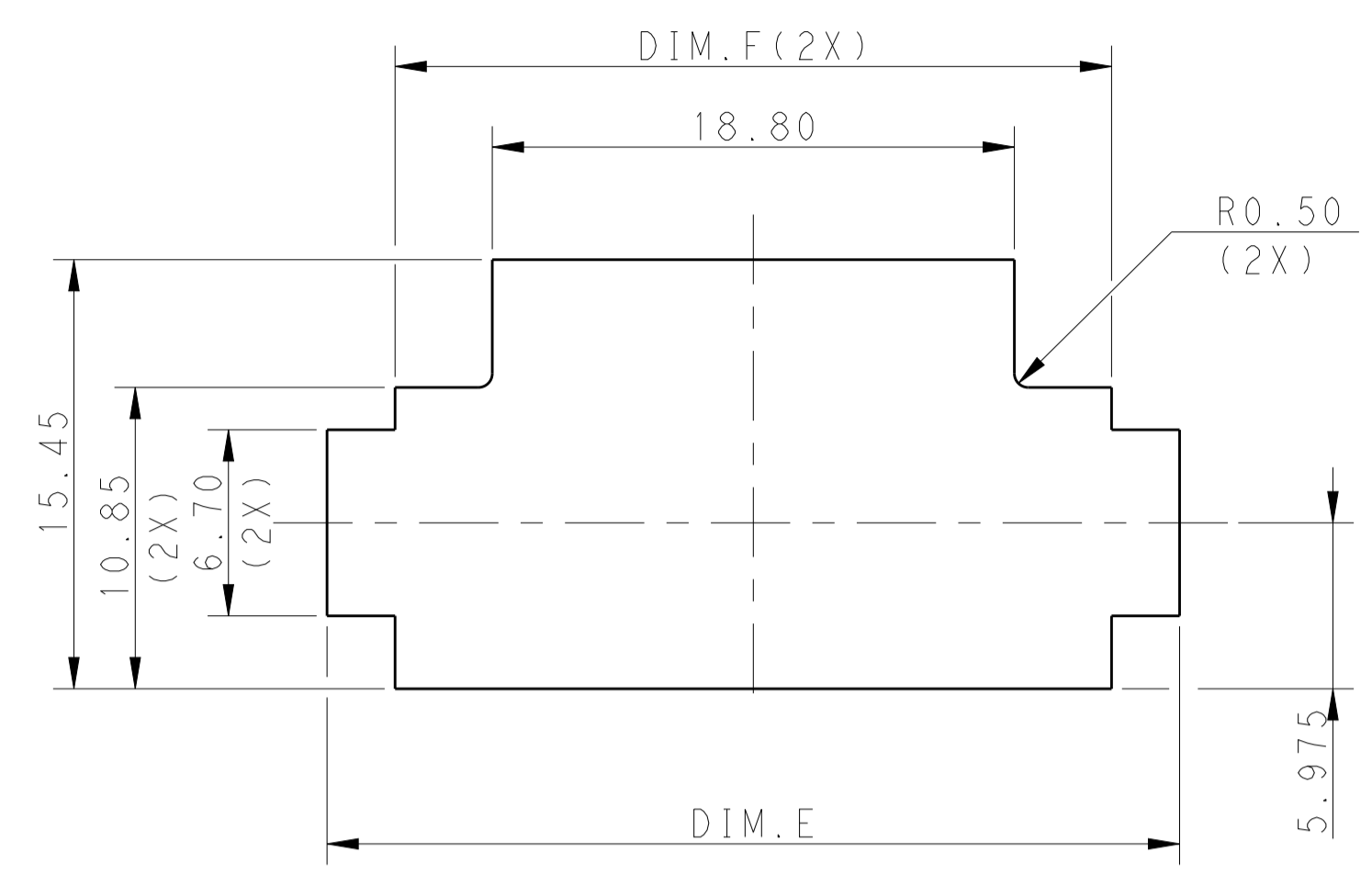
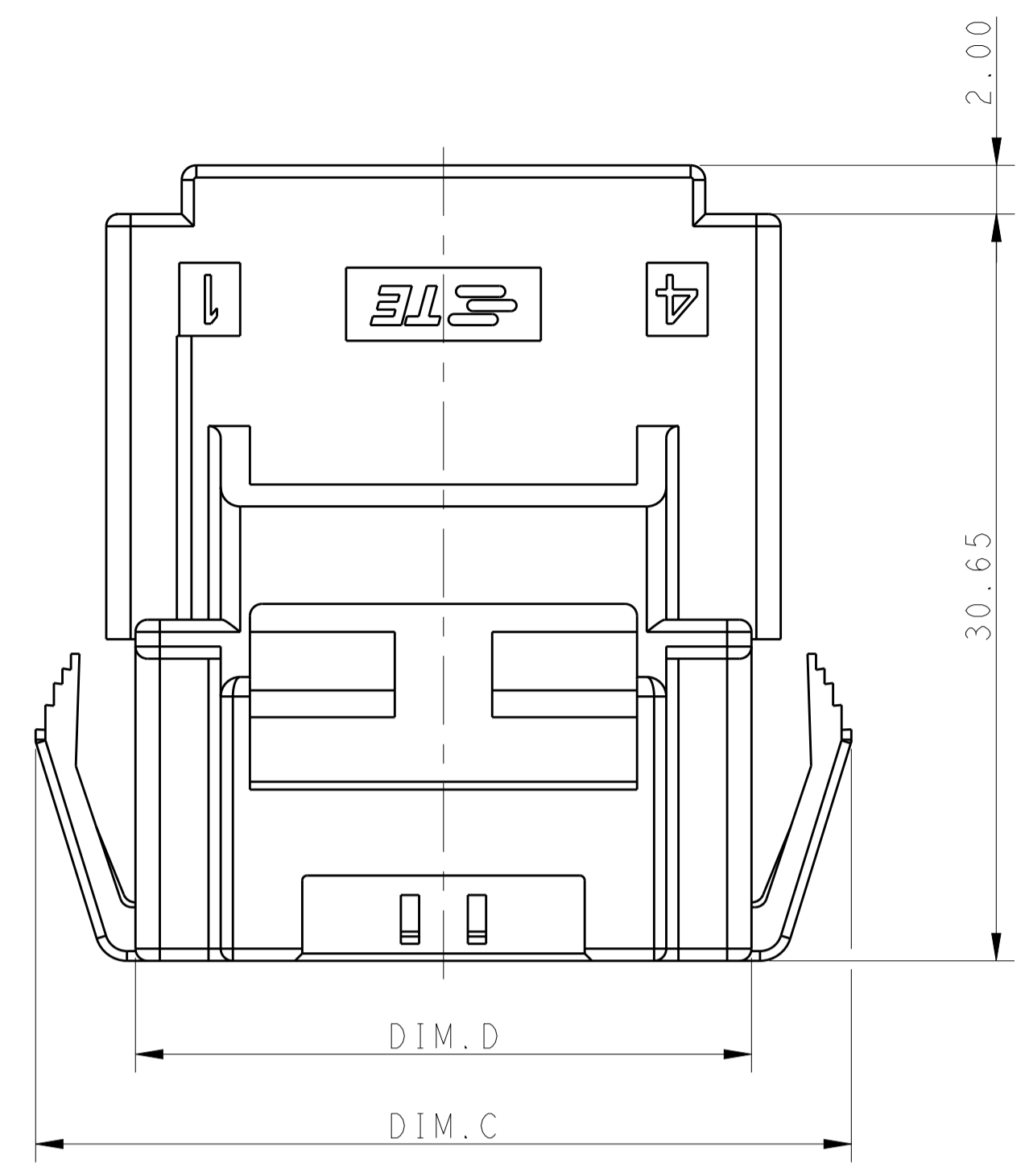
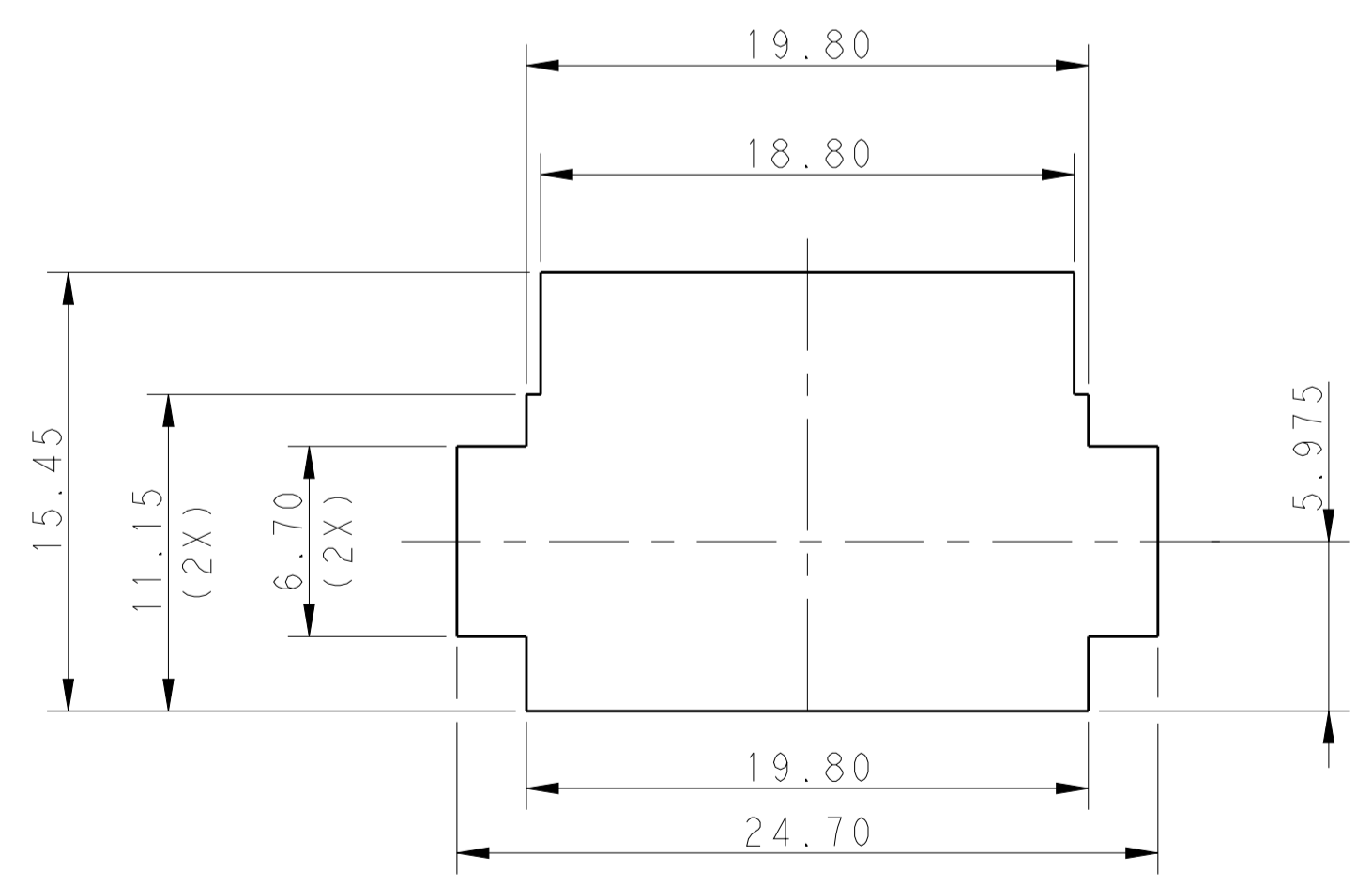
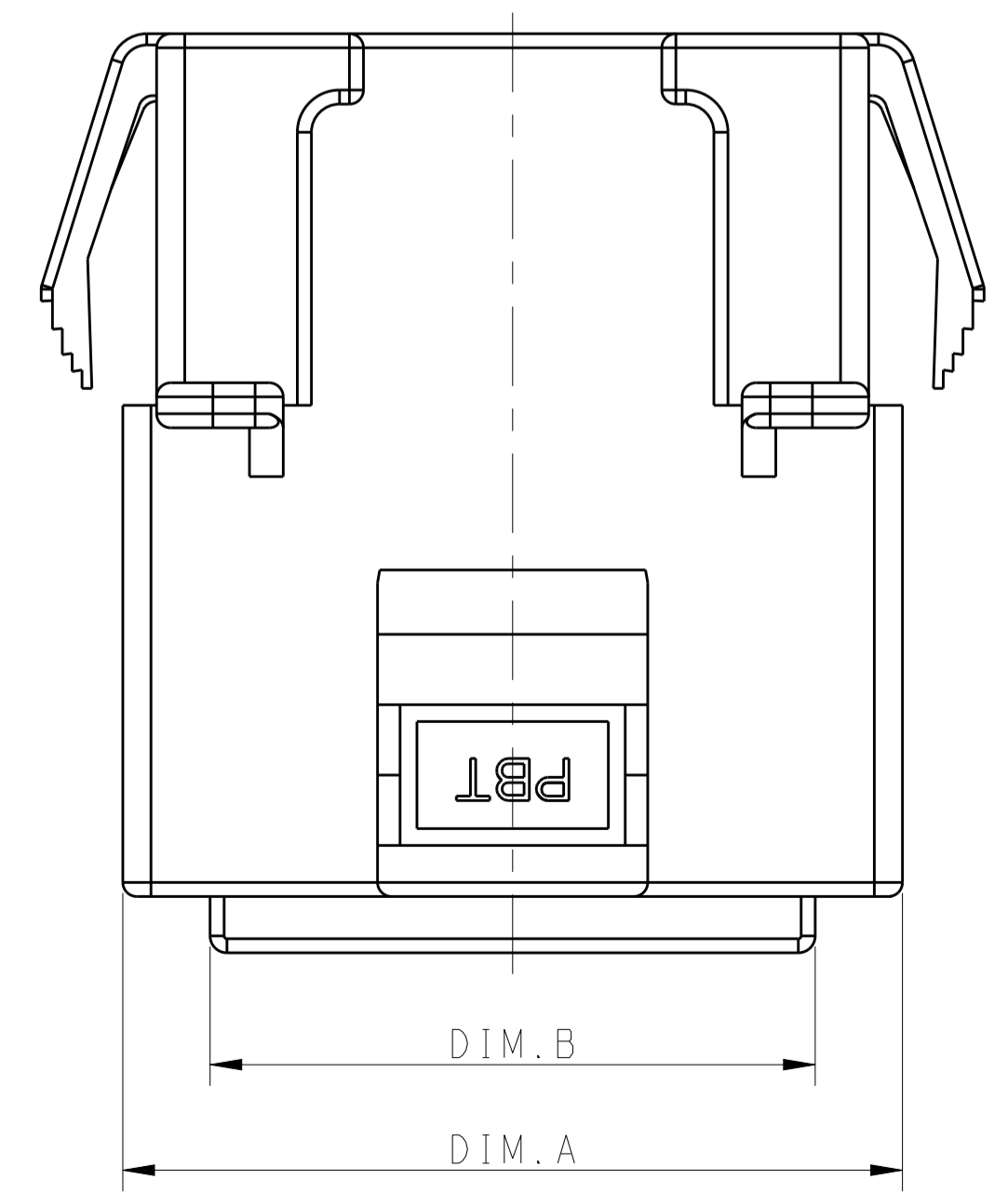
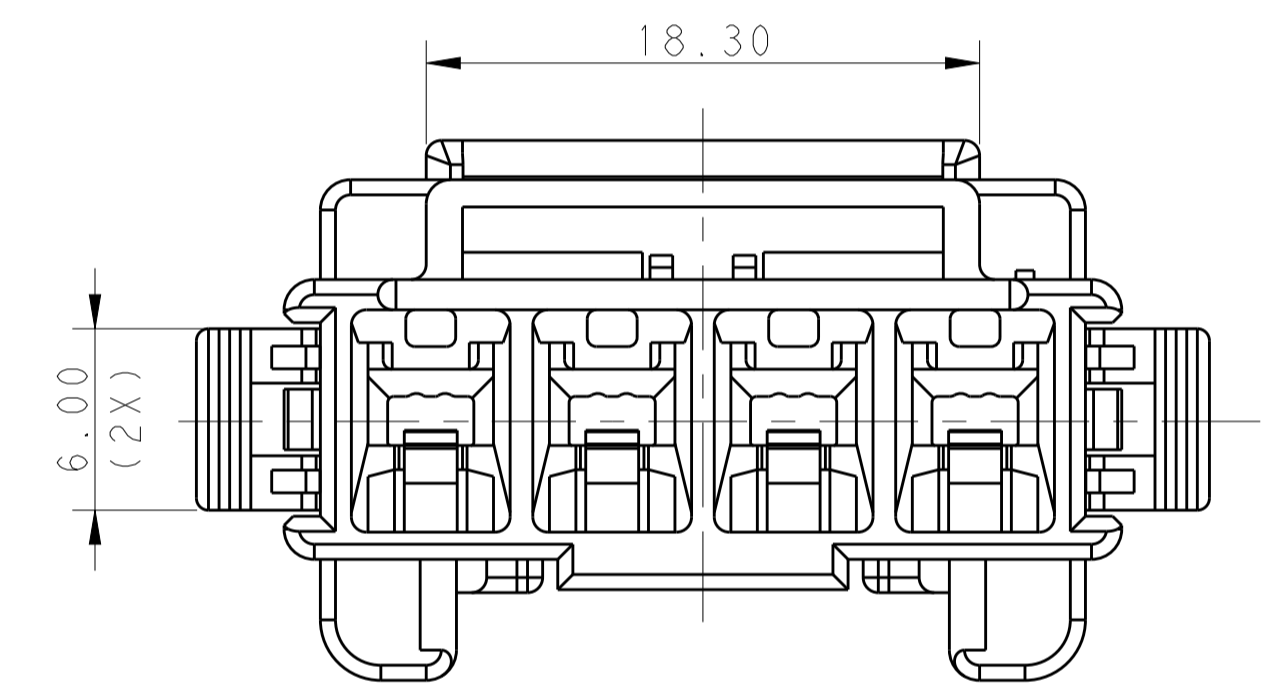
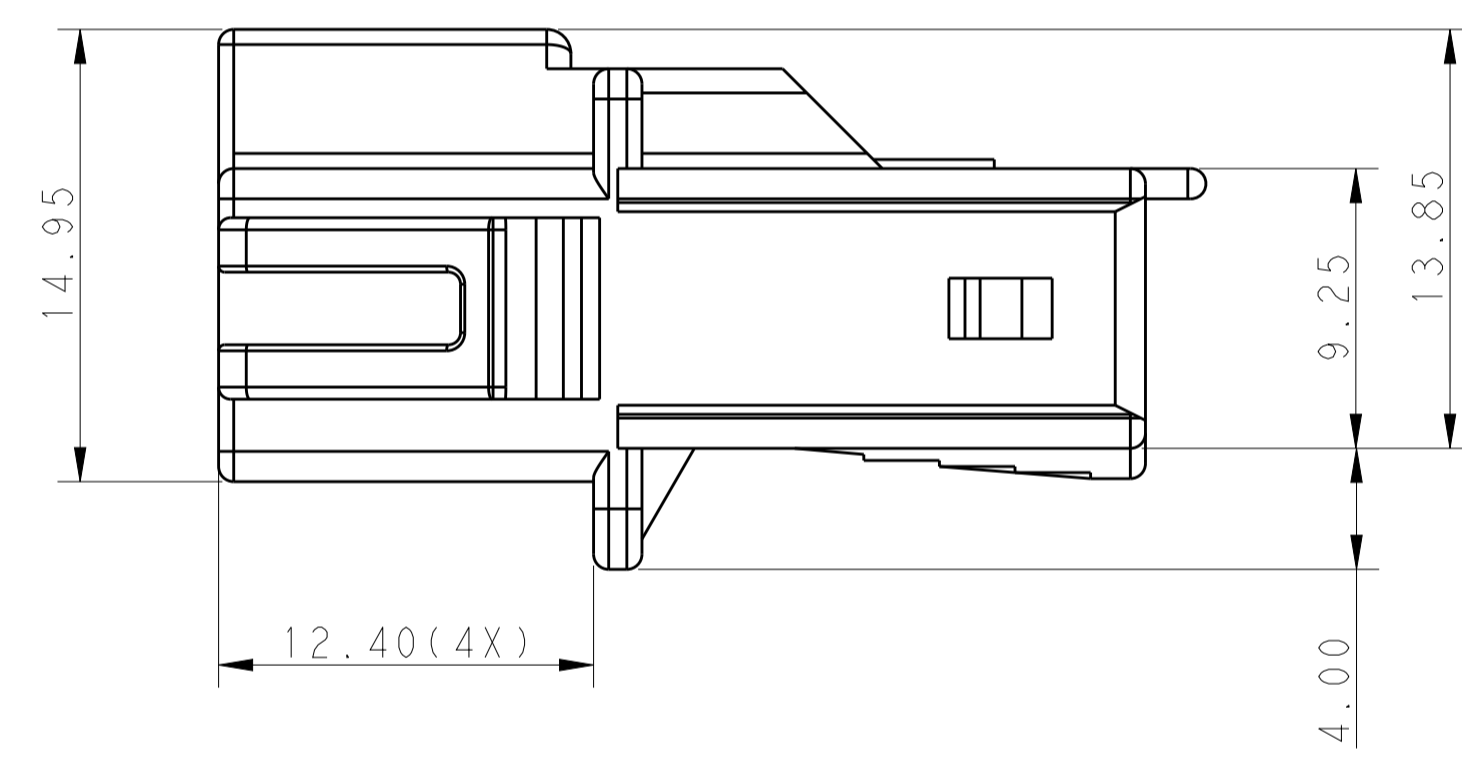
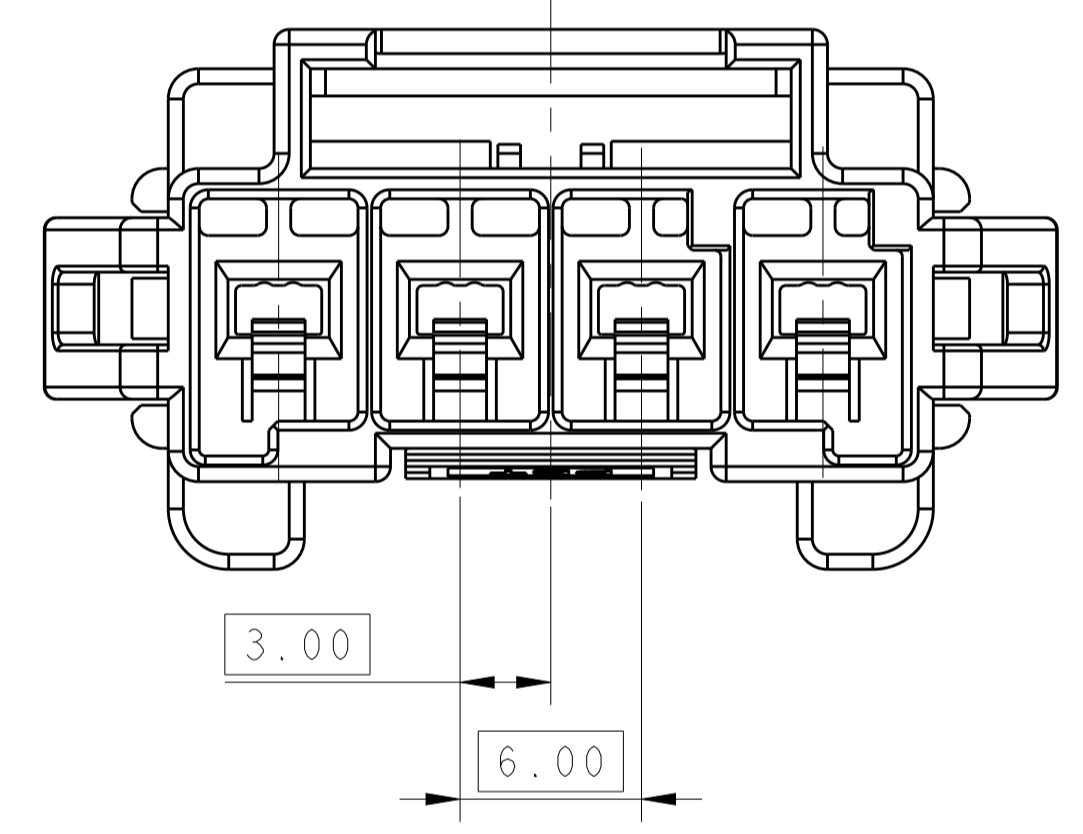


REVISONS		DATE	DWN	APVD
P	LTM			
A		04FEB2013	T.W	Y.H.M
A1		26MAR2013	T.W	Y.H.M

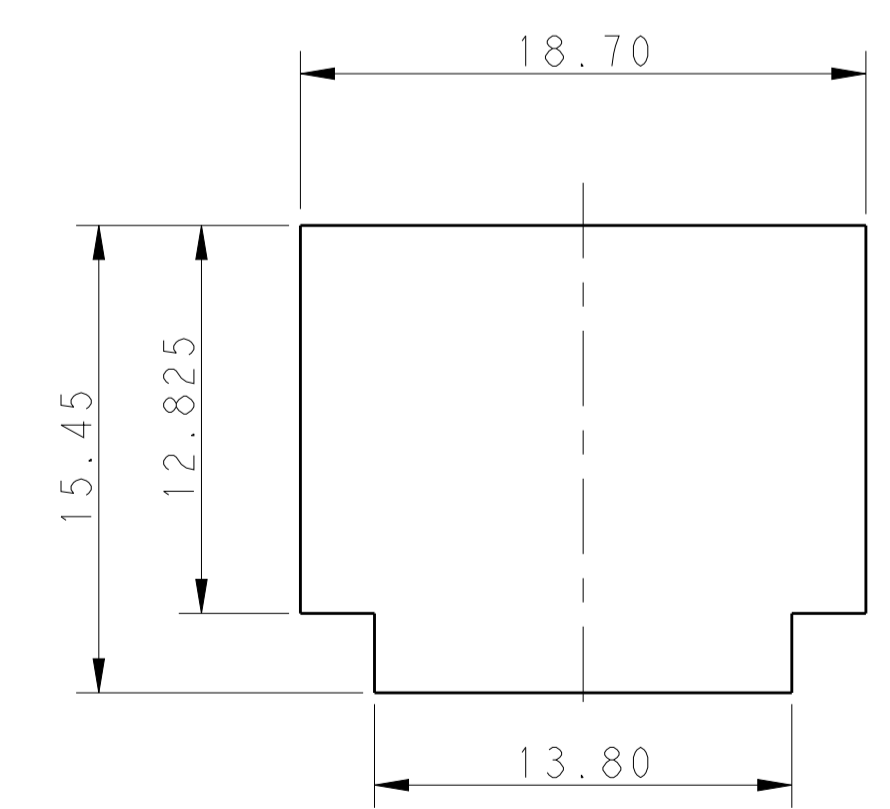


RECOMMENDED PANEL OPENING DIMENSIONS FOR CAP HOUSING 1\*5 AND 1\*4 POSITIONS (TOLERANCE: ±0.15mm)

- NOTE
- MATERIAL:  
LEVEL 1:PBT, STANDARD  
KEY A:NATURAL; KEY B:PURPLE; KEY C:BLUE; KEY D:YELLOW  
LEVEL 2:NYLON, HIGH TEMPERATURE 150°C  
KEY A:LIGHT GREY; KEY B:LIGHT GREY; KEY C:LIGHT GREY; KEY D:LIGHT GREY
  - MATERIAL MARK:  
LEVEL 1:PBT, LEVEL 2:HDT
  - APPLICABLE CONTACT P/N  
TAB CONTACT:1971238/1971780/82/84/86/88-\*
  - MATING CONN, P/N  
PLUG HSG: \*-1971773-  
DOUBLE LOCK PLATE: \*-1971777-\*
  - PRODUCT SPEC: 108-106118
  - APPLICATION SPEC: 114-106118
  - RECOMMENDED PANEL THICKNESS: 1.0~2.0mm



RECOMMENDED PANEL OPENING DIMENSIONS FOR CAP HOUSING 1\*3 POSITION (TOLERANCE: ±0.15mm)



RECOMMENDED PANEL OPENING DIMENSIONS FOR CAP HOUSING 1\*2 POSITION (TOLERANCE: ±0.15mm)

POS	A	B	C	D	E	F
1*5	33.70	27.50	39.5	31.30	36.70	31.80
1*4	27.70	21.50	33.5	25.30	30.70	25.80
1*3	21.70	15.50	27.5	19.30		
1*2	15.70	9.50	21.5	13.30		

1. This product has not completed validation testing.

THIS DRAWING IS A CONTROLLED DOCUMENT.

DWN: TOMMY WU 06JUL2012  
CHK: HAPYE WU 06JUL2012  
APVD: YUHONG MAO 06JUL2012

TE Connectivity

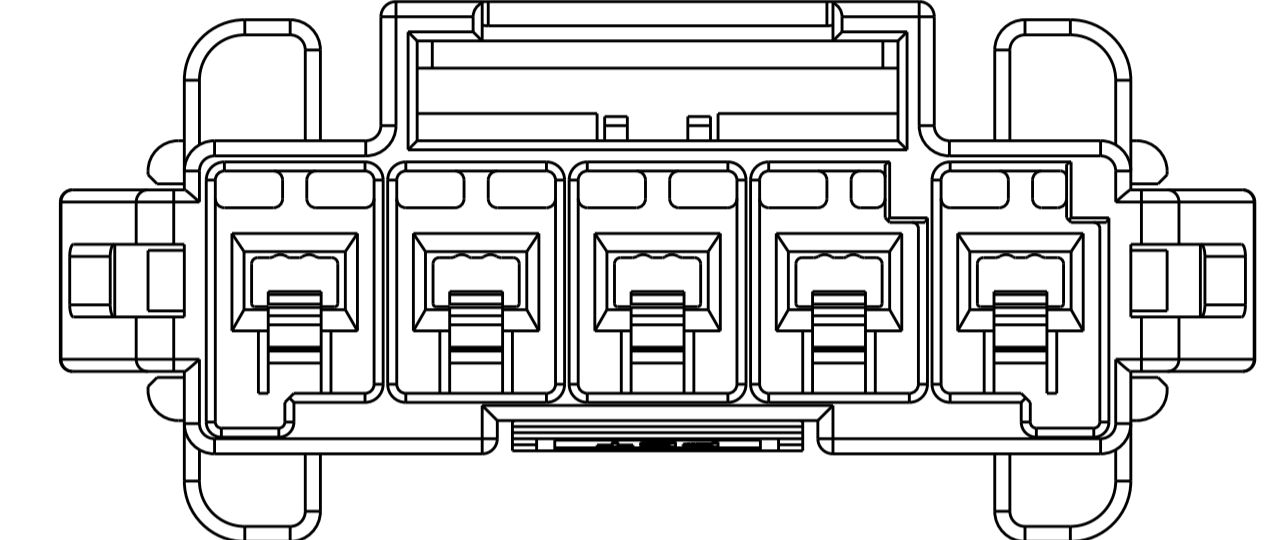
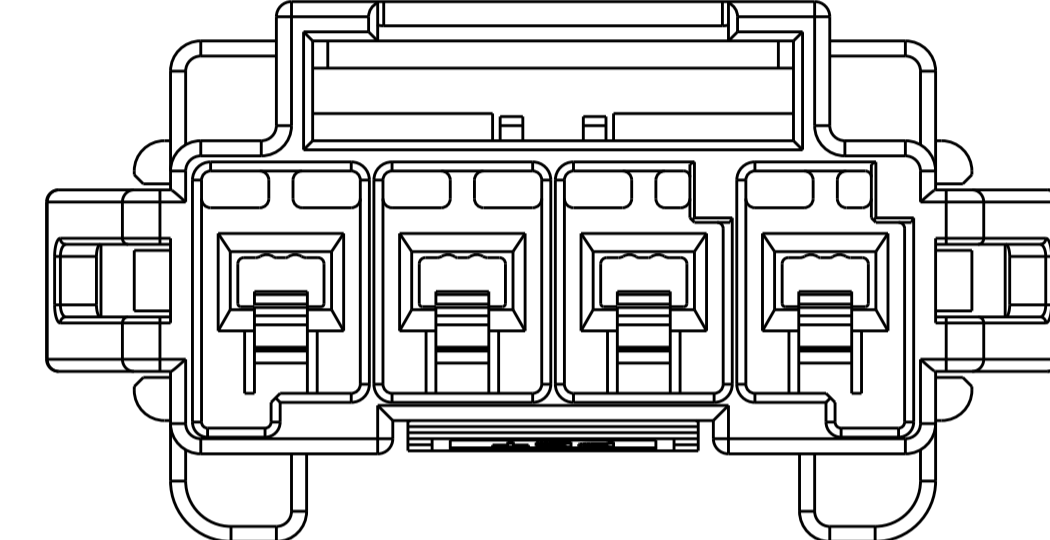
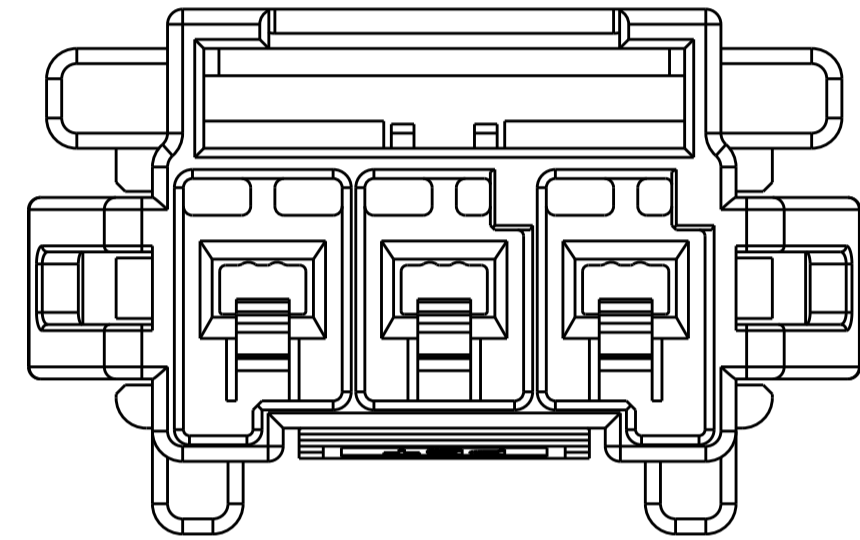
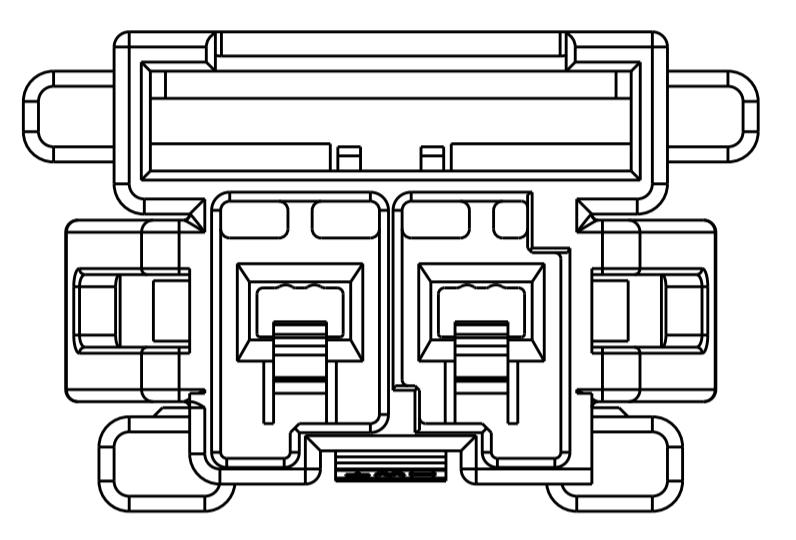
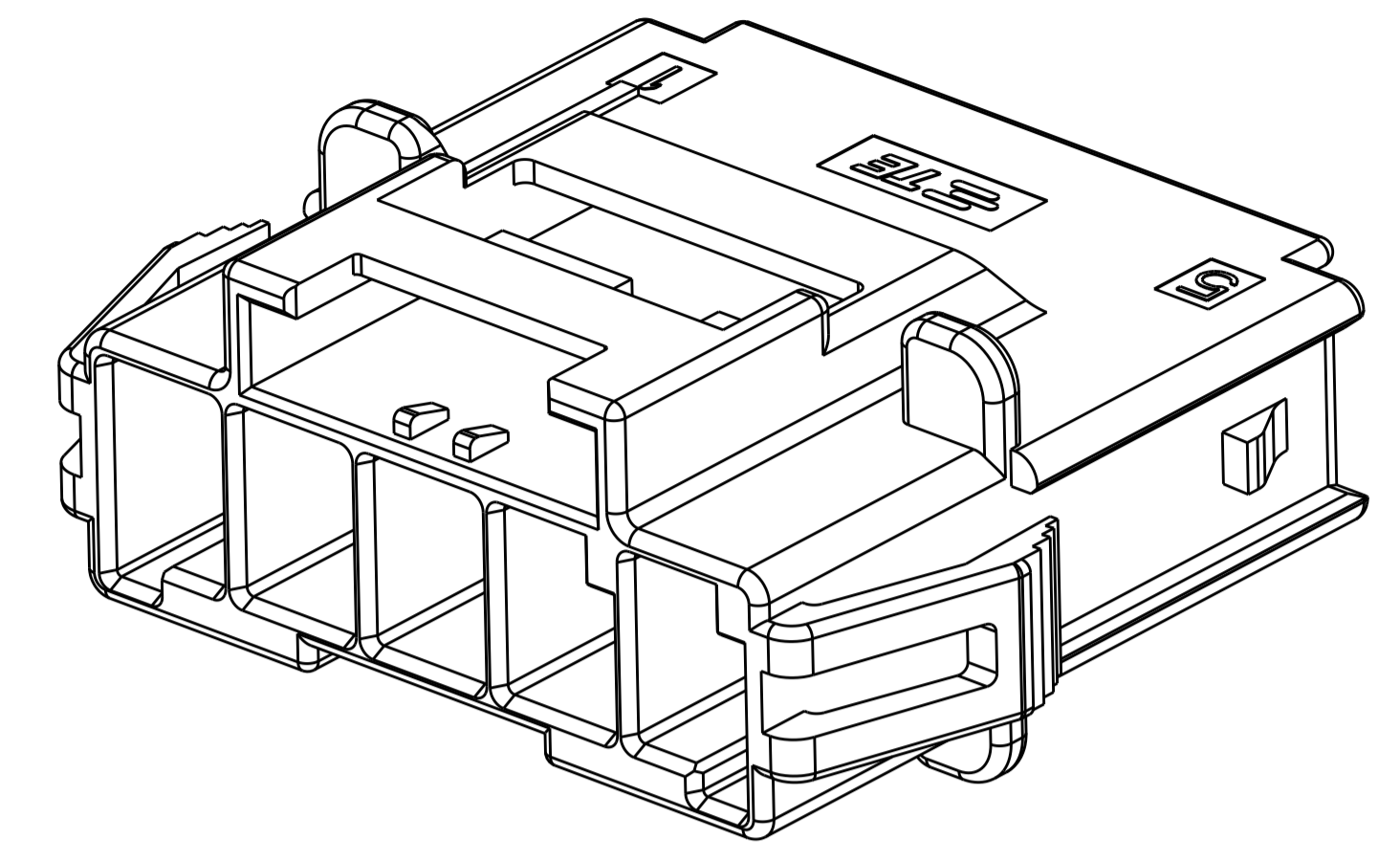
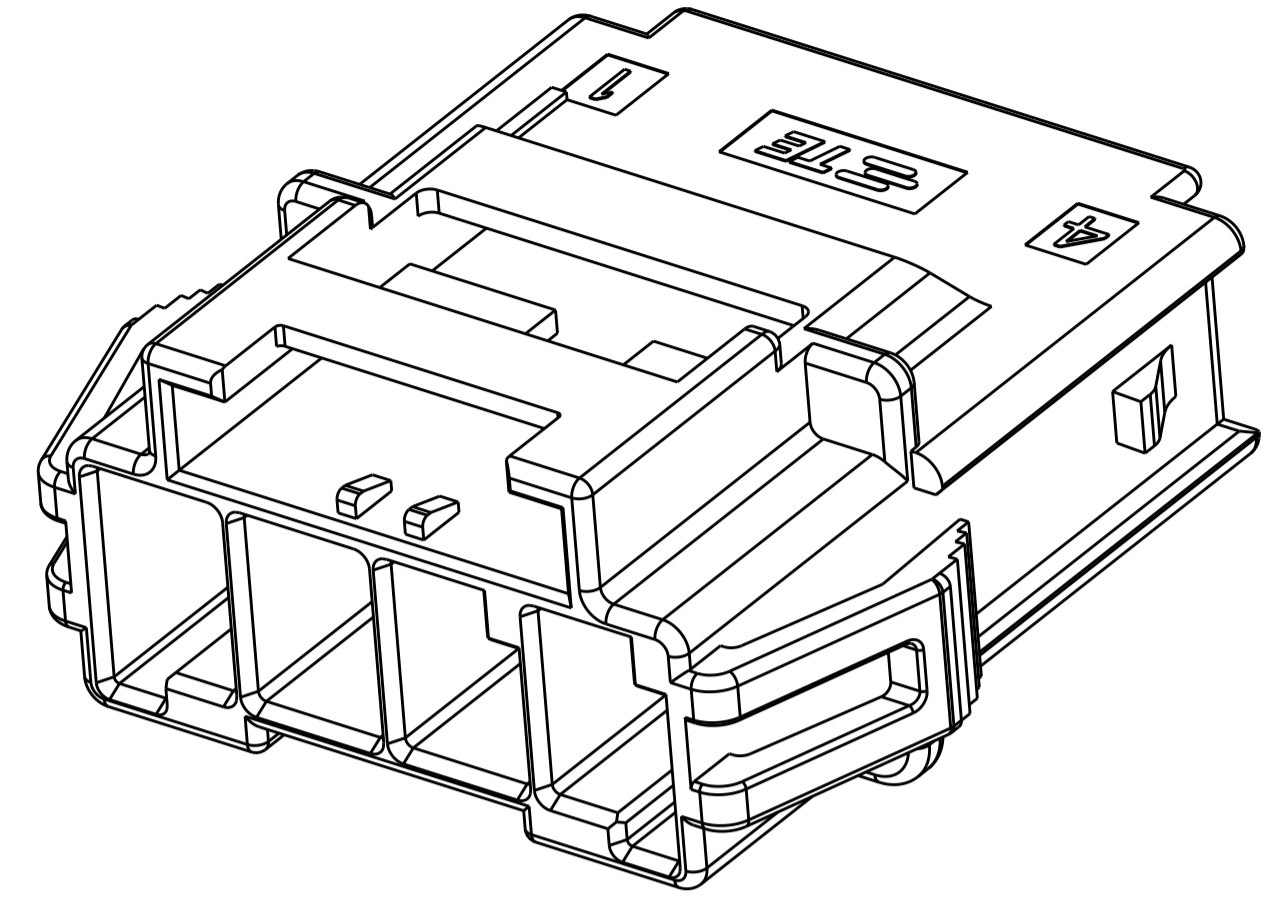
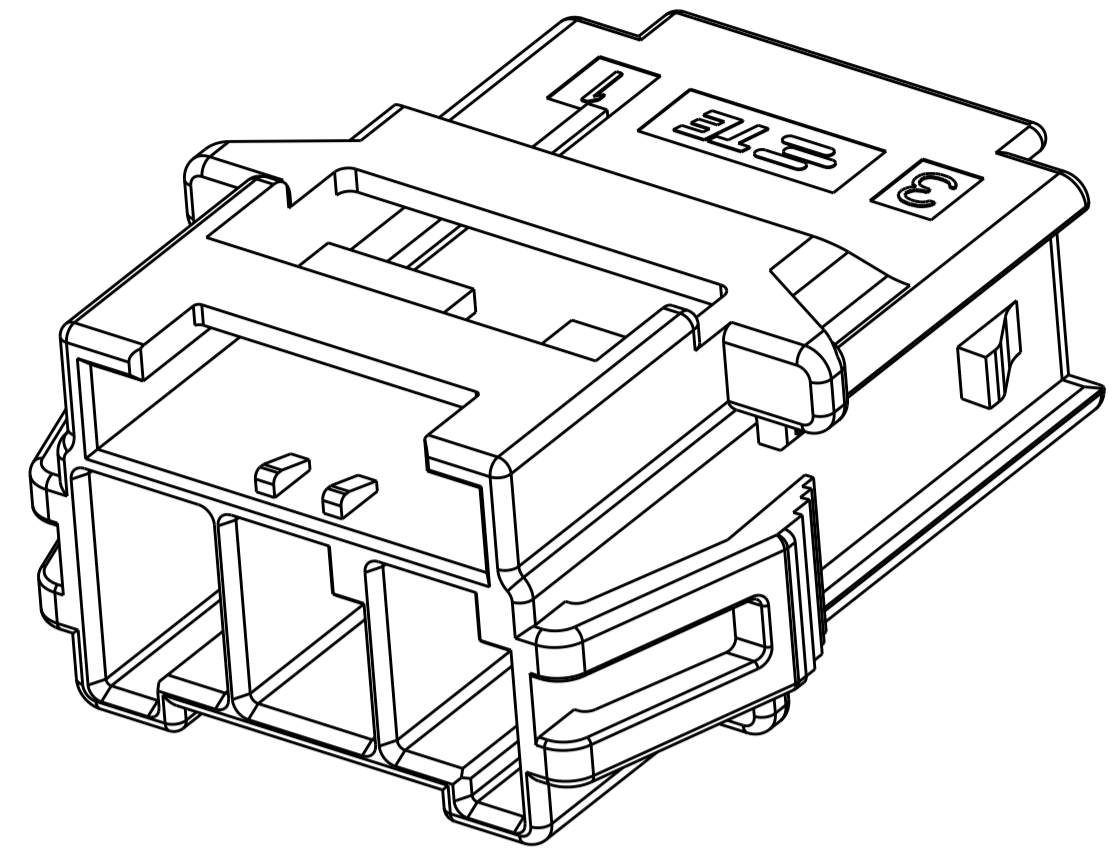
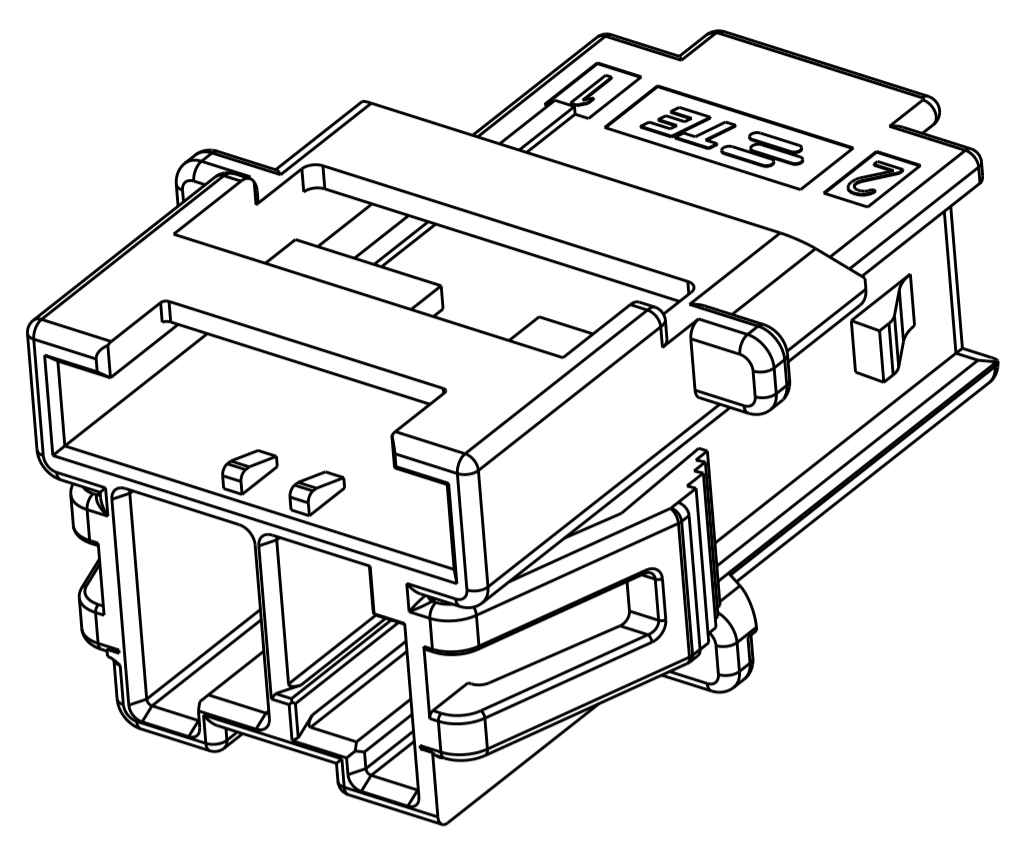
NAME: CAP HOUSING, PANEL MOUNT, SINGLE ROW POWER TRIPLE LOCK

PRODUCT SPEC: 108-106118  
APPLICATION SPEC: 114-106118

SIZE: A1 00779 C=1971772  
WEIGHT: -  
Customer Drawing

RESTRICTED TO: -  
SCALE: - SHEET 1 OF 2 REV: A1

LOC		DIST		REVISIONS			
				DESCRIPTION	DATE	OWN	APVD
-	-	-	-	SEE SHEET 1	-	-	-

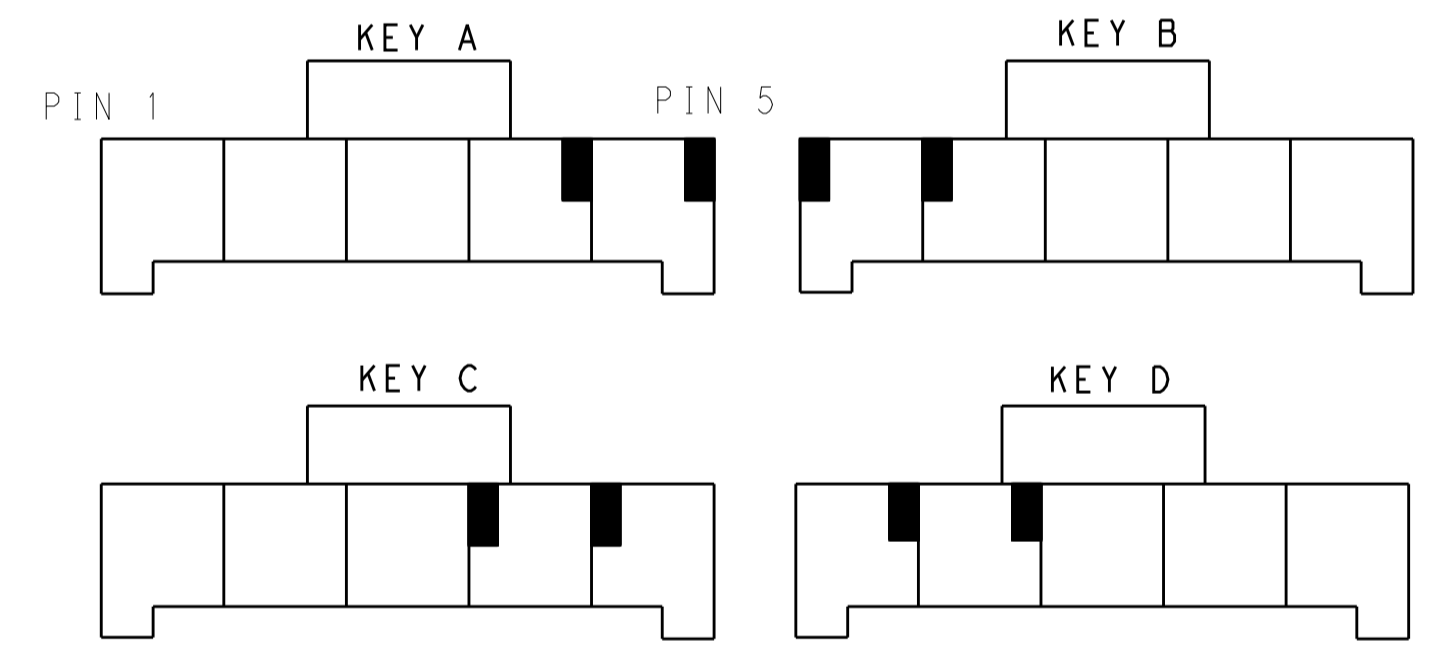
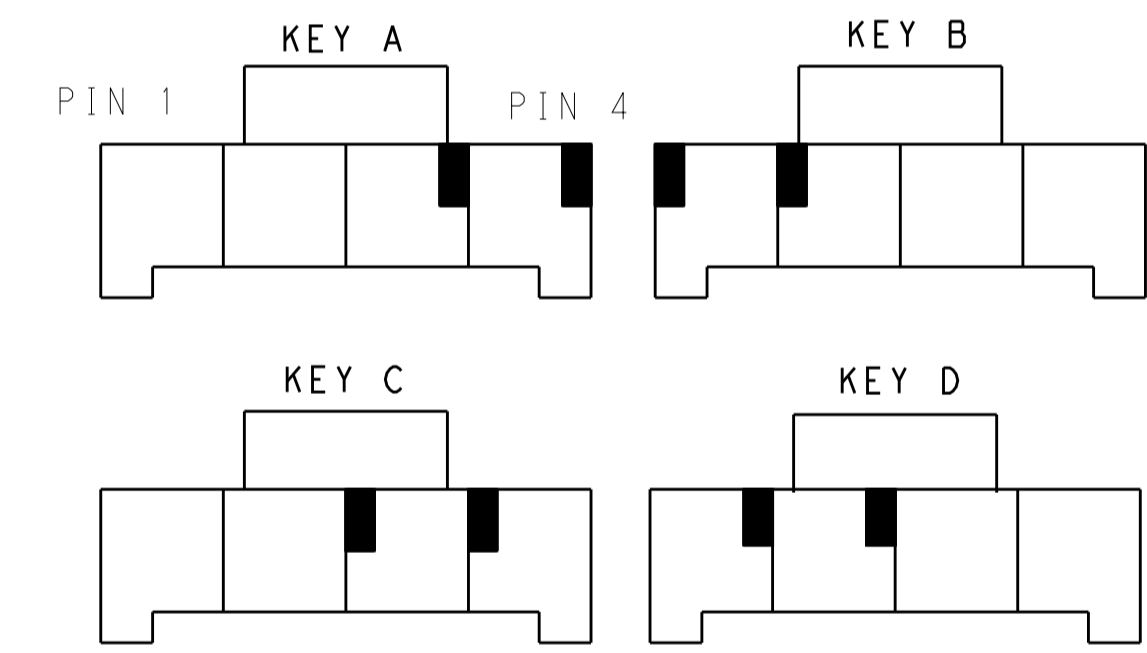
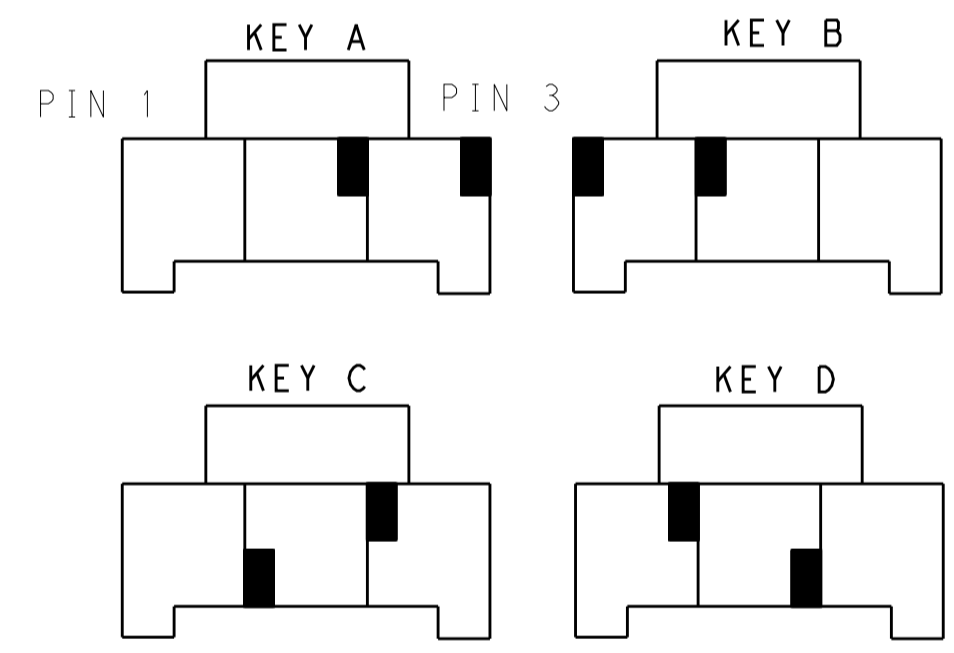
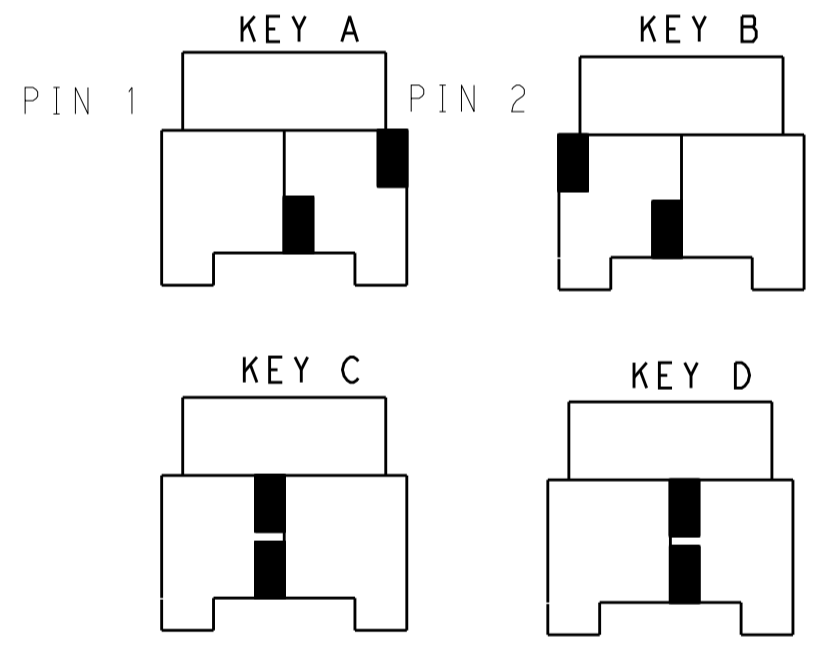


1\*2 POSITIONS

1\*3 POSITIONS

1\*4 POSITIONS

1\*5 POSITIONS



KEYING FOR 1\*2 POS.

KEYING FOR 1\*3 POS.

KEYING FOR 1\*4 POS.

KEYING FOR 1\*5 POS.

POS.	MATERIAL	KEY	P/N
1*3	LEVEL 1	KEY A	1-1971772-3
		KEY B	2-1971772-3
		KEY C	3-1971772-3
		KEY D	4-1971772-3
	LEVEL 2	KEY A	5-1971772-3
		KEY B	6-1971772-3
		KEY C	7-1971772-3
		KEY D	8-1971772-3
1*2	LEVEL 1	KEY A	1-1971772-2
		KEY B	2-1971772-2
		KEY C	3-1971772-2
		KEY D	4-1971772-2
	LEVEL 2	KEY A	5-1971772-2
		KEY B	6-1971772-2
		KEY C	7-1971772-2
		KEY D	8-1971772-2

POS.	MATERIAL	KEY	P/N
1*4	LEVEL 1	KEY A	1-1971772-4
		KEY B	2-1971772-4
		KEY C	3-1971772-4
		KEY D	4-1971772-4
	LEVEL 2	KEY A	5-1971772-4
		KEY B	6-1971772-4
		KEY C	7-1971772-4
		KEY D	8-1971772-4
1*5	LEVEL 1	KEY A	1-1971772-7
		KEY B	2-1971772-7
		KEY C	3-1971772-7
		KEY D	4-1971772-7
	LEVEL 2	KEY A	5-1971772-7
		KEY B	6-1971772-7
		KEY C	7-1971772-7
		KEY D	8-1971772-7

THIS DRAWING IS A CONTROLLED DOCUMENT.

DIMENSIONS: mm

TOLERANCES UNLESS OTHERWISE SPECIFIED:

0 PLC	±
1 PLC	±0.35
2 PLC	±0.25
3 PLC	±
4 PLC	±
ANGLES	±

MATERIAL: - FINISH: -

OWN: TOMMY WU 06 JUL 2012  
 CHK: HAPYE WU 06 JUL 2012  
 APVD: YUHONG MAO 06 JUL 2012

NAME: CAP HOUSING, PANEL MOUNT, SINGLE ROW POWER TRIPLE LOCK

PRODUCT SPEC: 108-106118  
 APPLICATION SPEC: 114-106118

SIZE: A100779 C=1971772  
 WEIGHT: -

Customer Drawing

SCALE: - SHEET 2 OF 2 REV A1

TE Connectivity