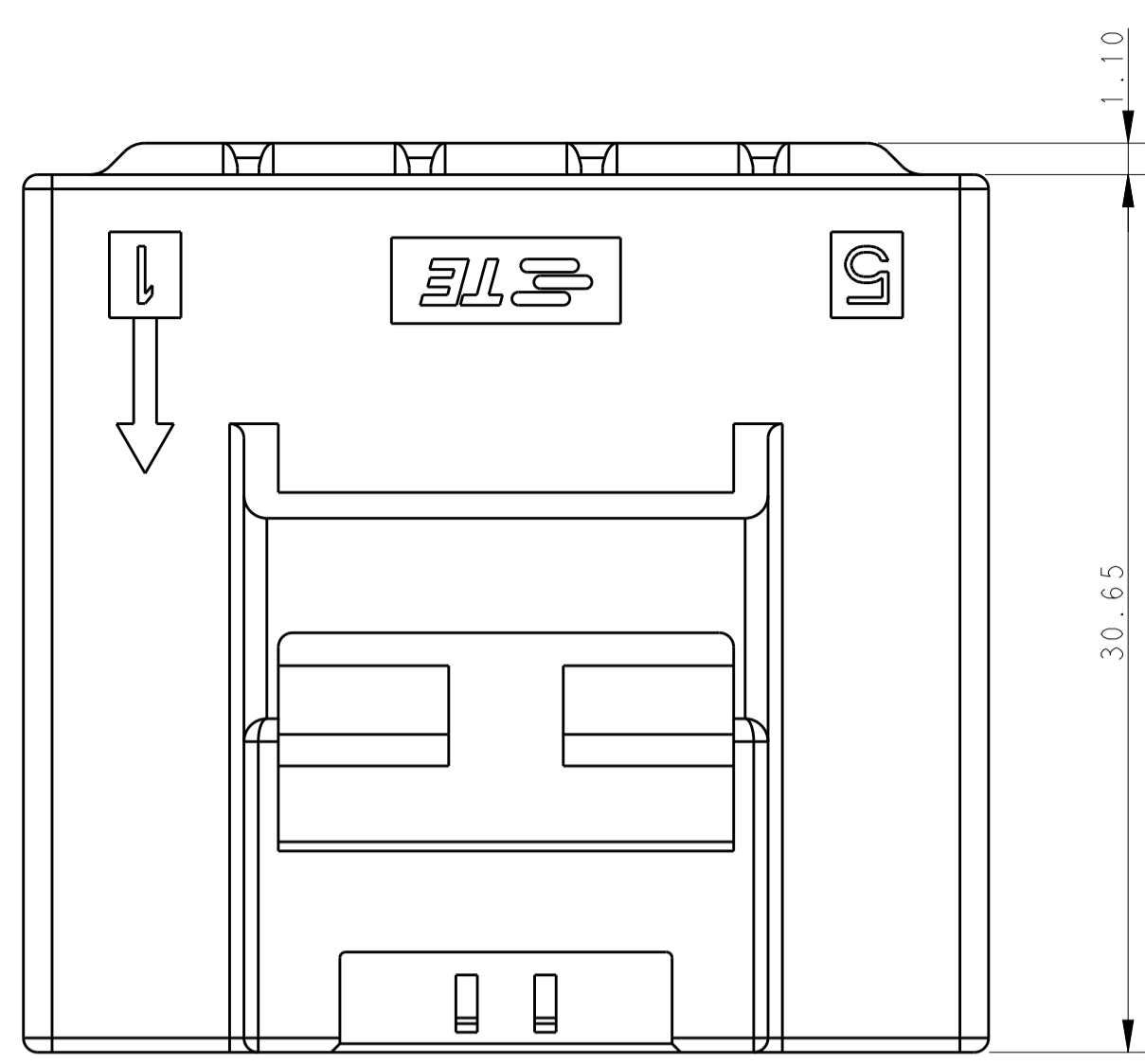
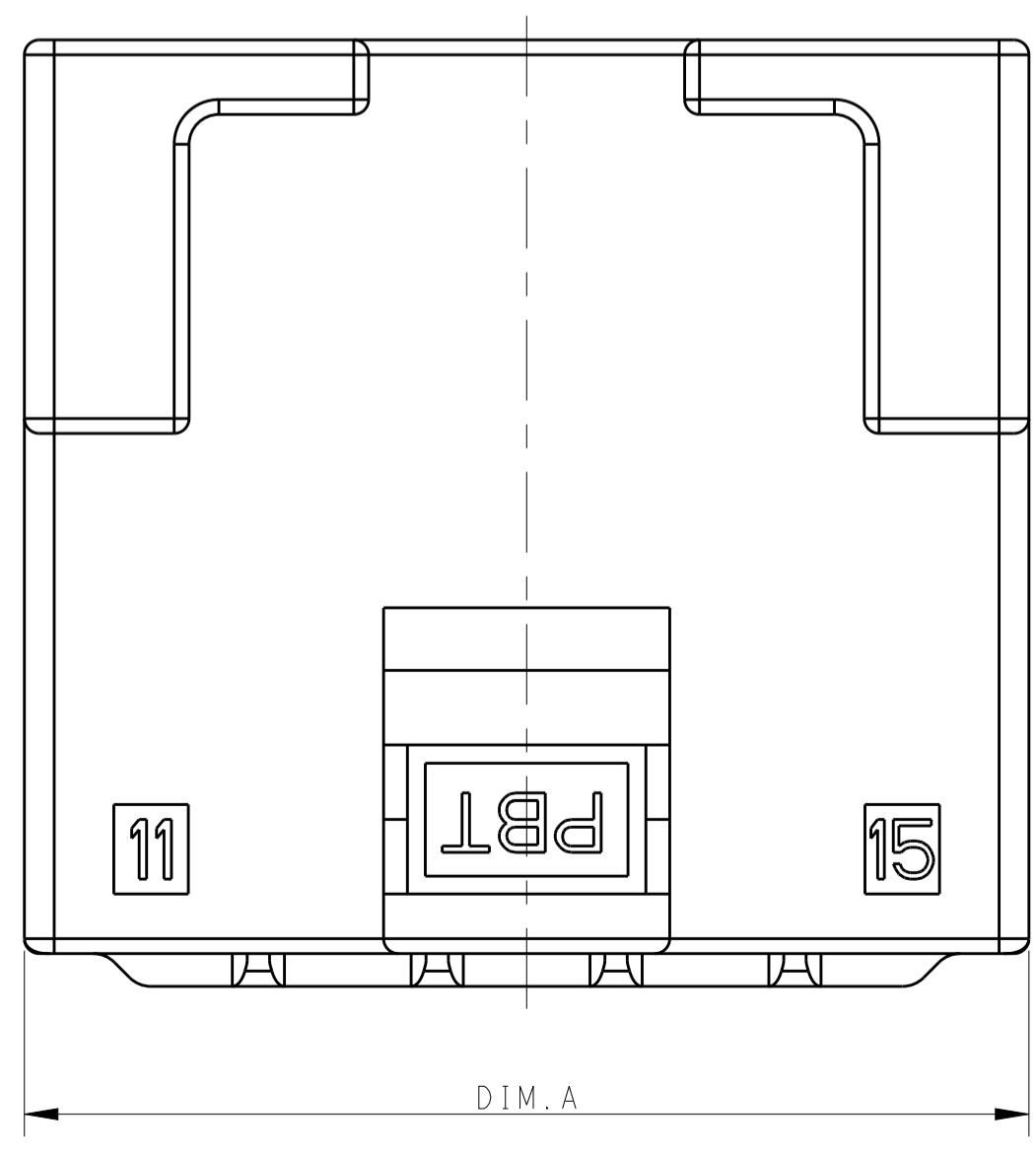
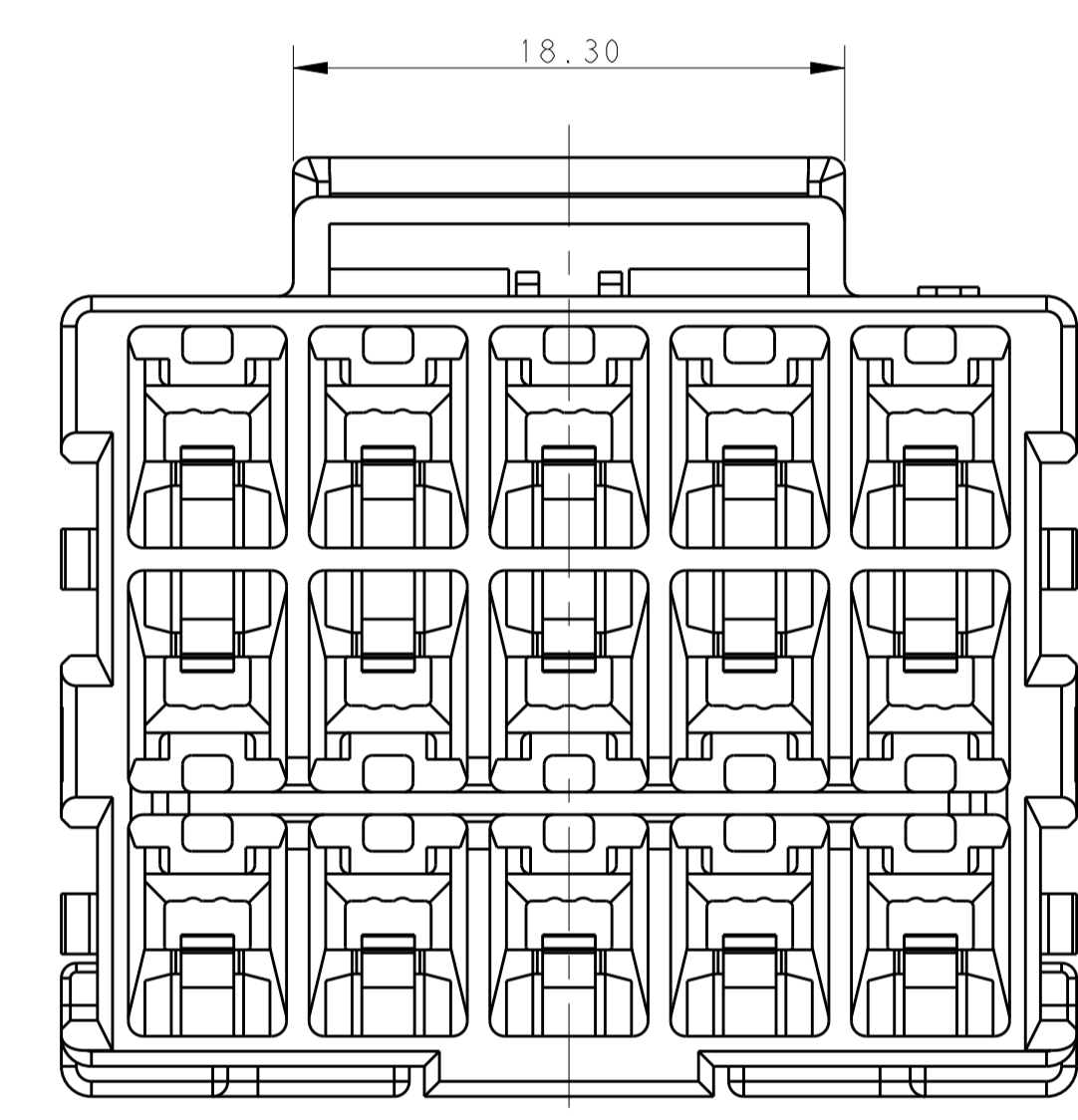
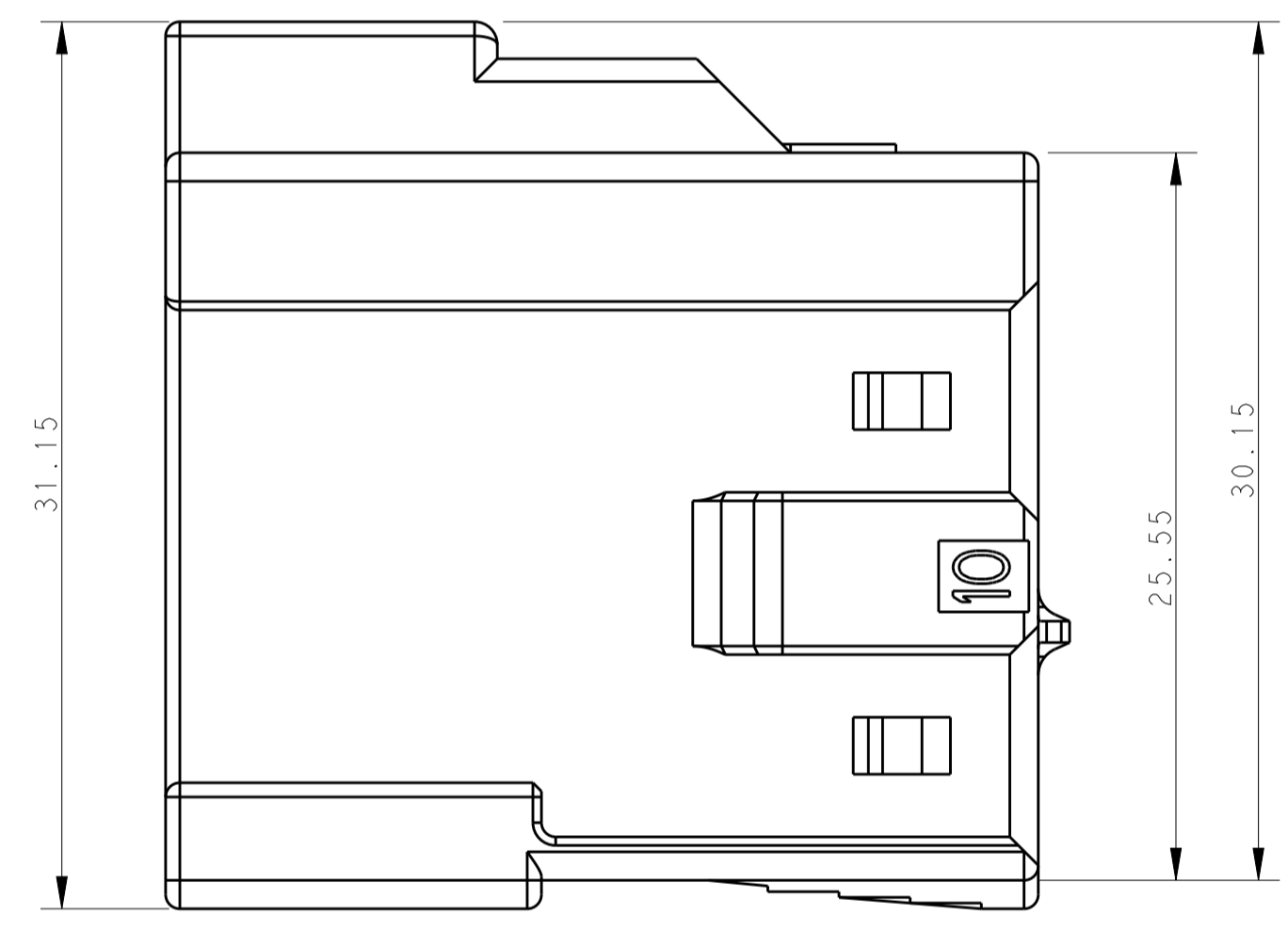
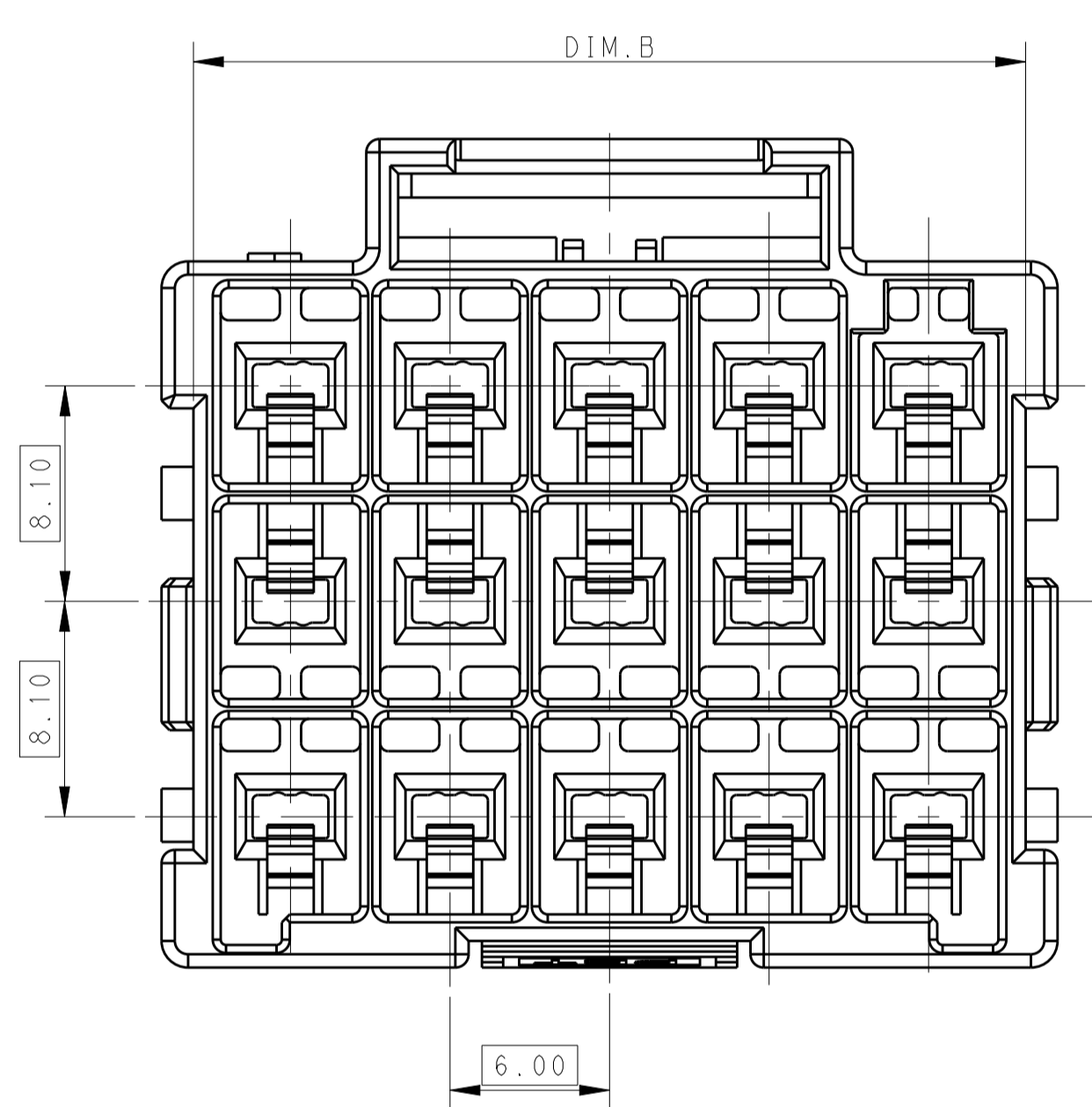


LOC		DIST		REVISIONS			
P	LTN	DESCRIPTION	DATE	DWN	APVD		
A		RELEASED DRAWING	04FEB2013	T.W	Y.H.M		
A1		ECR-13-005295	26MAR2013	T.W	Y.H.M		



POS.	DIM.A	DIM.B
3*5	33.70	31.30
3*4	27.70	25.30
3*3	21.70	19.30



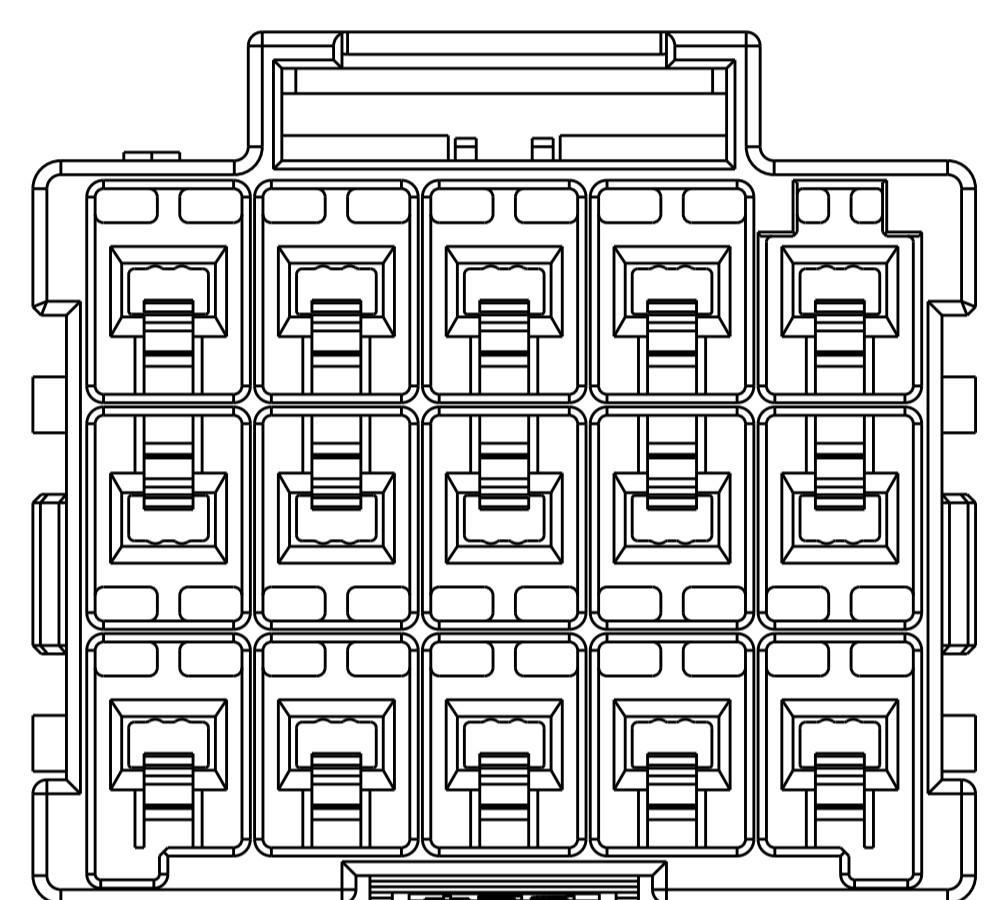
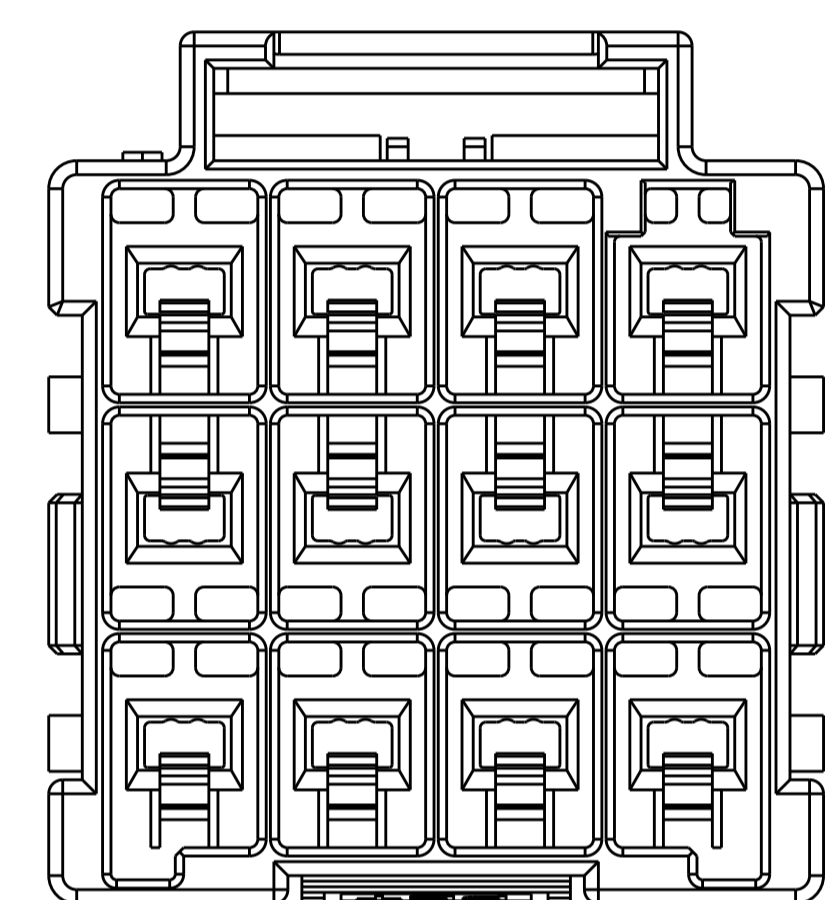
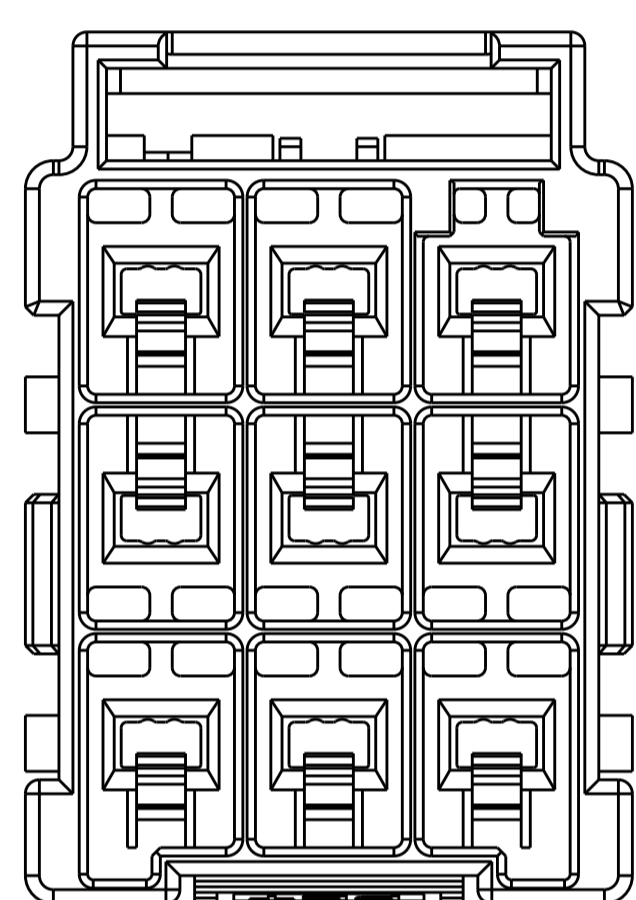
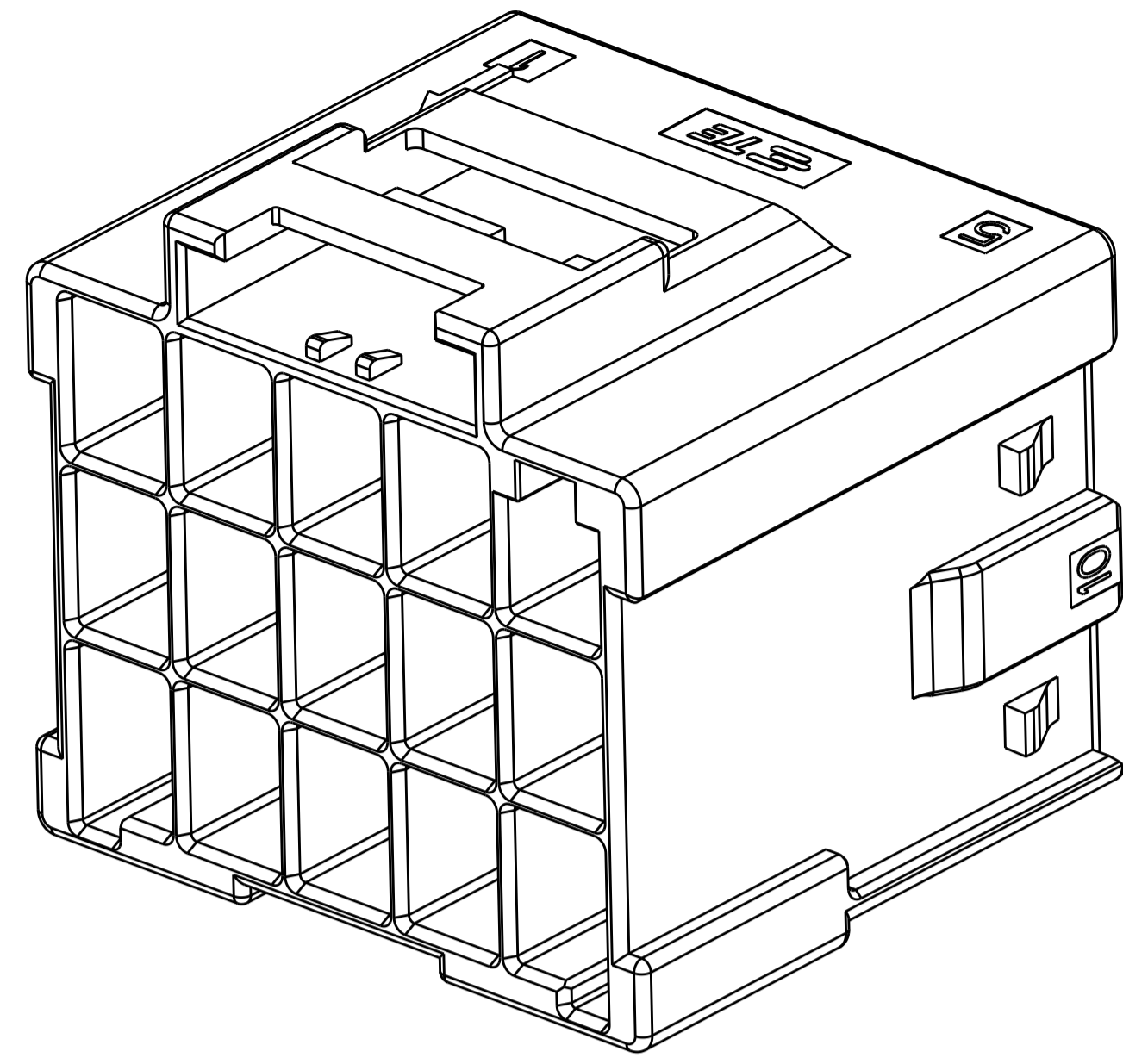
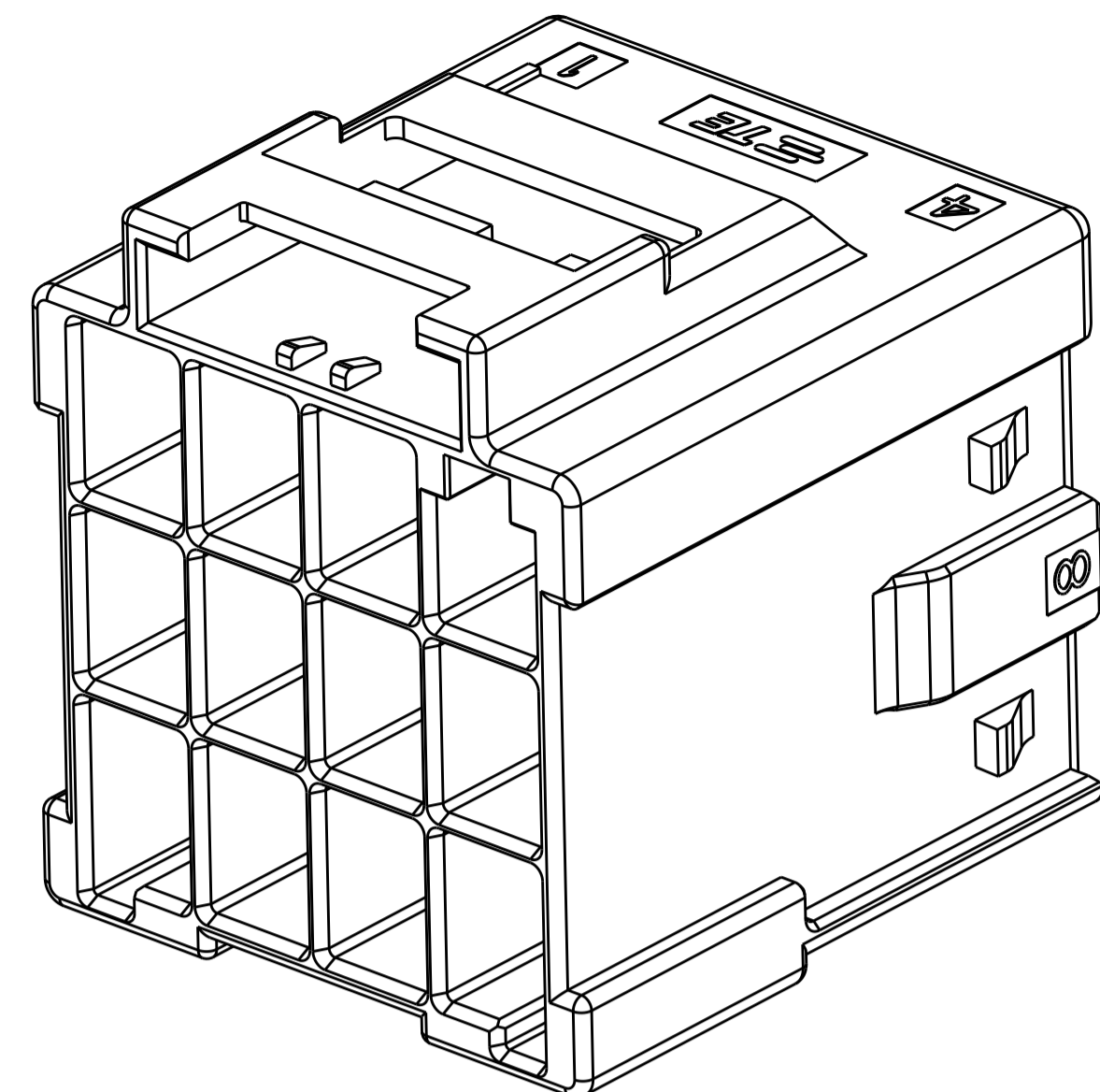
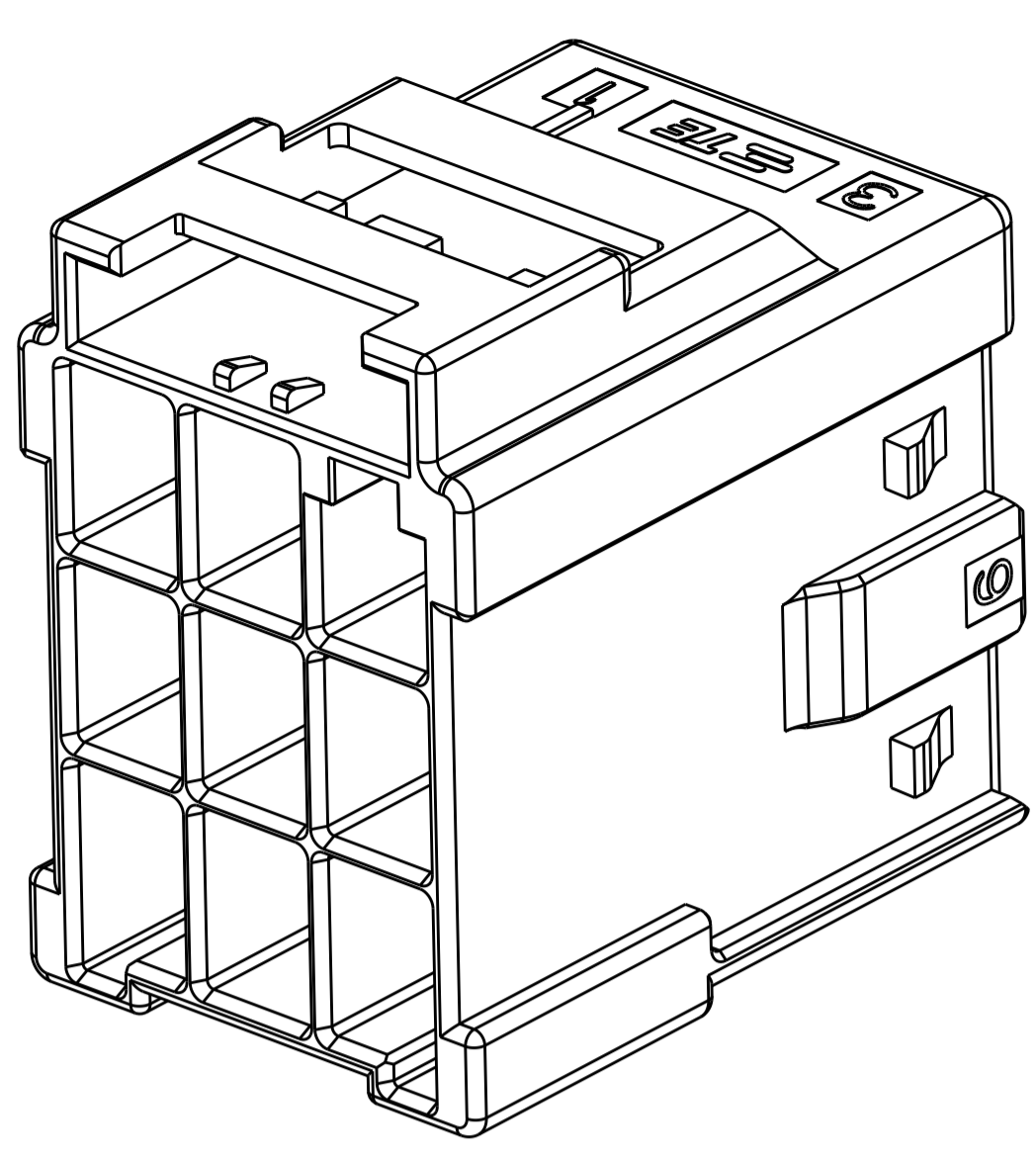
- NOTE
- MATERIAL:
 LEVEL 1:PBT,STANDARD
 KEY A:NATRUAL; KEY B:PURPLE; KEY C:BLUE; KEY D:YELLOW

 LEVEL 2:NYLON,HIGH TEMPERATURE 150°C
 KEY A:LIGHT GREY; KEY B:LIGHT GREY; KEY C:LIGHT GREY; KEY D:LIGHT GREY
 - MATERIAL MARK:
 LEVEL 1:PBT,LEVEL 2:HDT
 - APPLICABLE CONTACT P/N
 TAB CONTACT:1971238/1971780/82/84/86/88-*
 - MATING CONN. P/N
 PLUG HSG:*-1971876-
 DOUBLE ROW LOCK PLATE:*-1971778-*,SINGLE ROW LOCK PLATE:*-1971777-*
 - PRODUCT SPEC: 108-106118
 - APPLICATION SPEC: 114-106118

1. This product has not completed validation testing.

THIS DRAWING IS A CONTROLLED DOCUMENT.		DWN TOMMY WU 09JUL2012	TE Connectivity
DIMENSIONS: mm		CHK HAPYE WU 09JUL2012	
TOLERANCES UNLESS OTHERWISE SPECIFIED:		APVD YUHONG MAO 09JUL2012	NAME CAP HOUSING, FREE HANGING, TRIPLE ROW POWER TRIPLE LOCK
0 PLC ±		PRODUCT SPEC 108-106118	
1 PLC ±0.35		APPLICATION SPEC 114-106118	SIZE CAGE CODE DRAWING NO A1 00779C=1971874
2 PLC ±0.25		WEIGHT	
3 PLC ±		FINISH	RESTRICTED TO
4 PLC ±		Customer Drawing	SCALE SHEET 1 OF 2 REV A1
ANGLES ±			

LOC		DIST		REVISIONS			
P	LTN	DESCRIPTION	DATE	OWN	APVD		
-	-	-SEE SHEET 1-	-	-	-	-	-

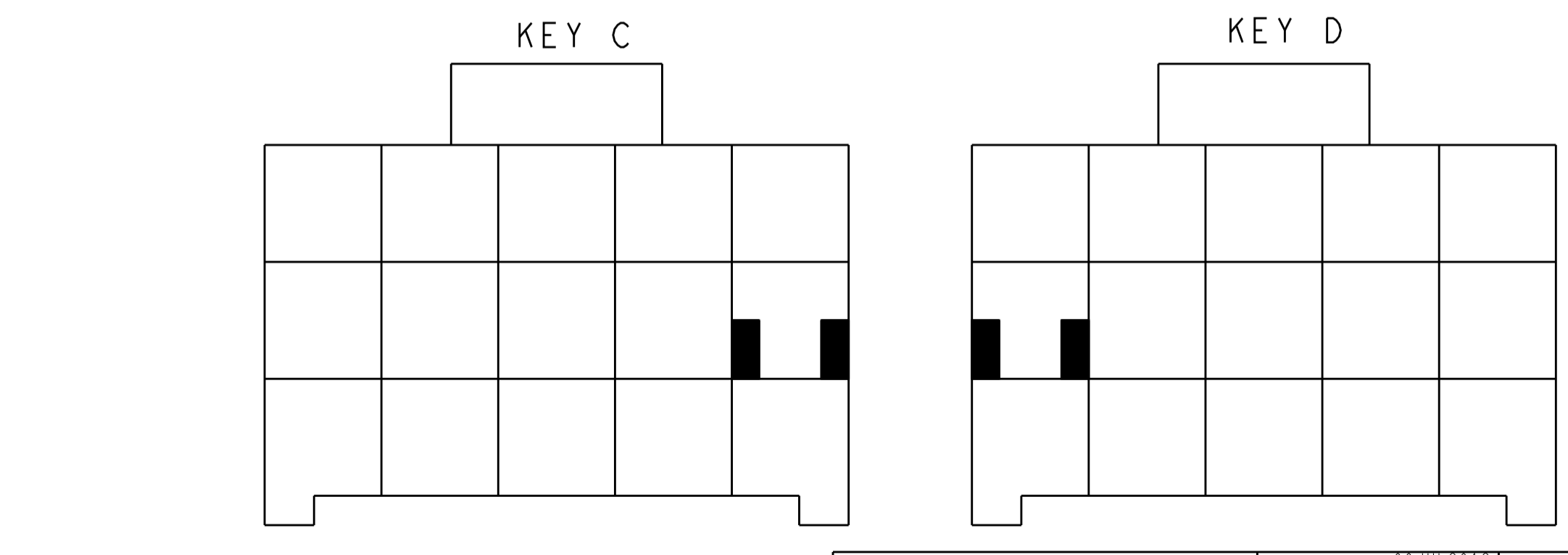
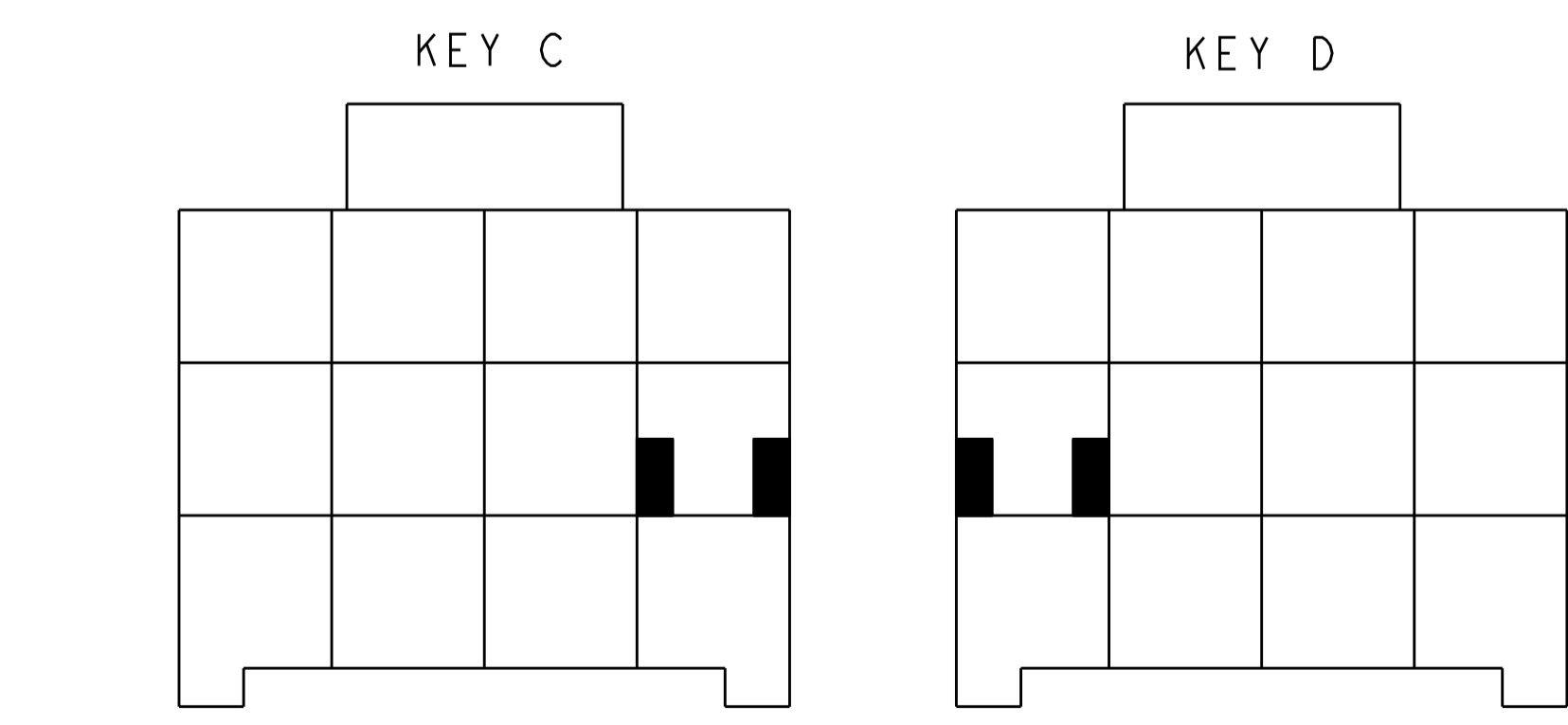
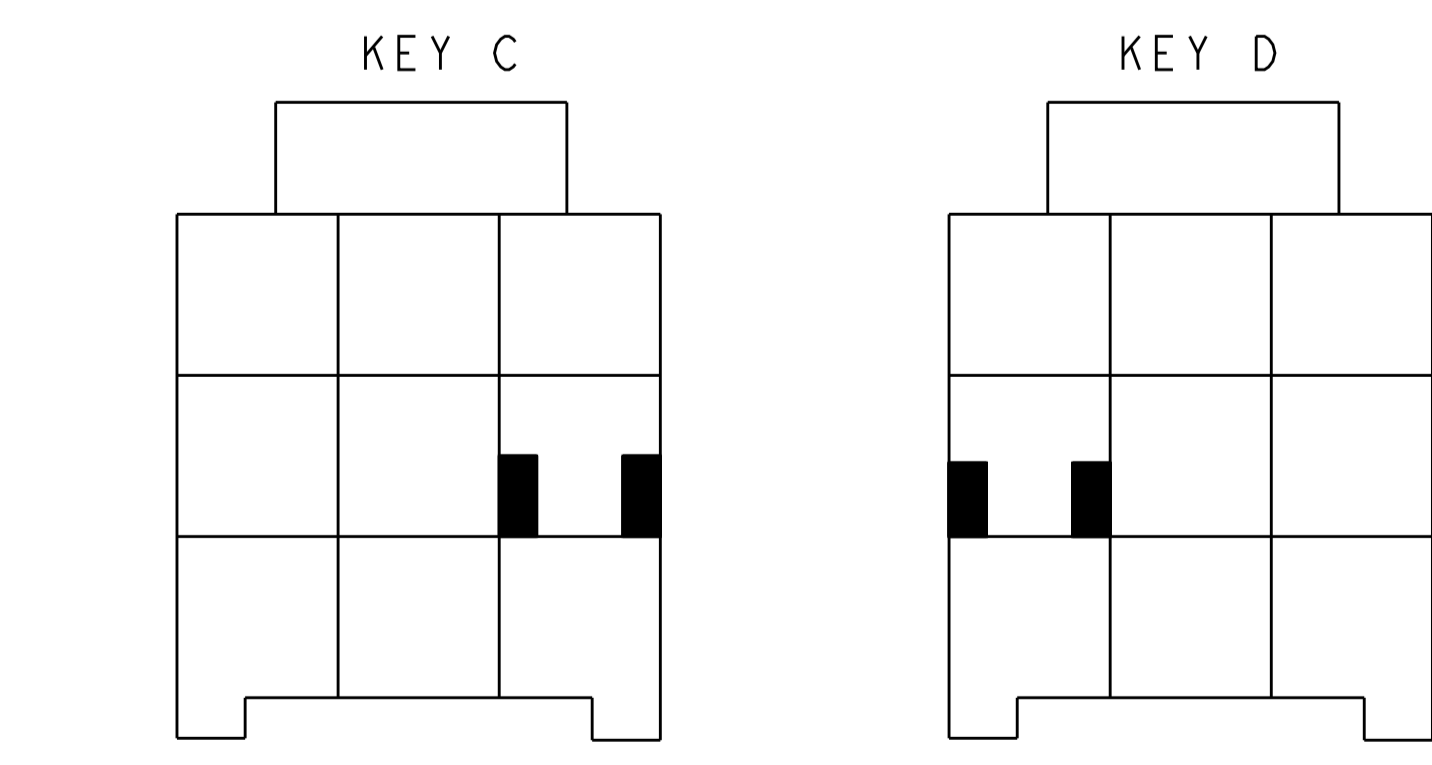
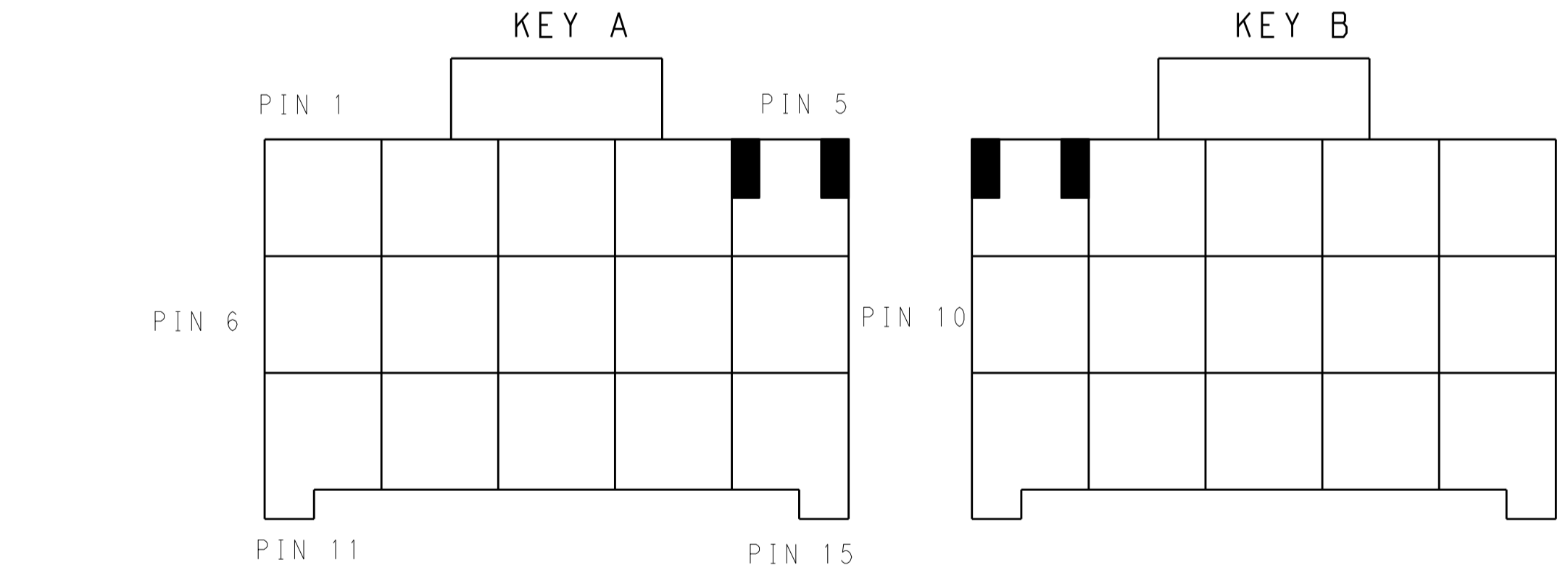
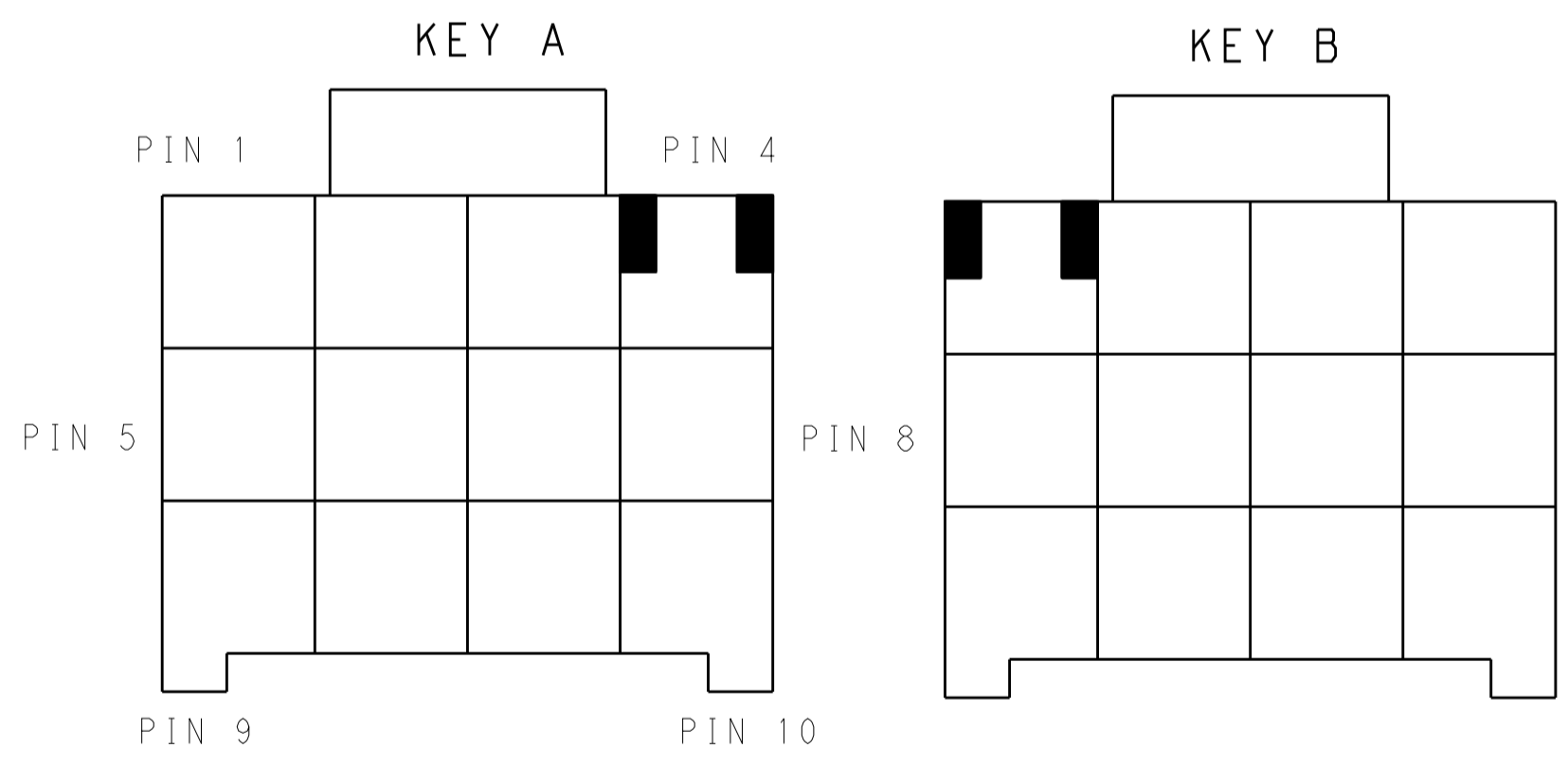
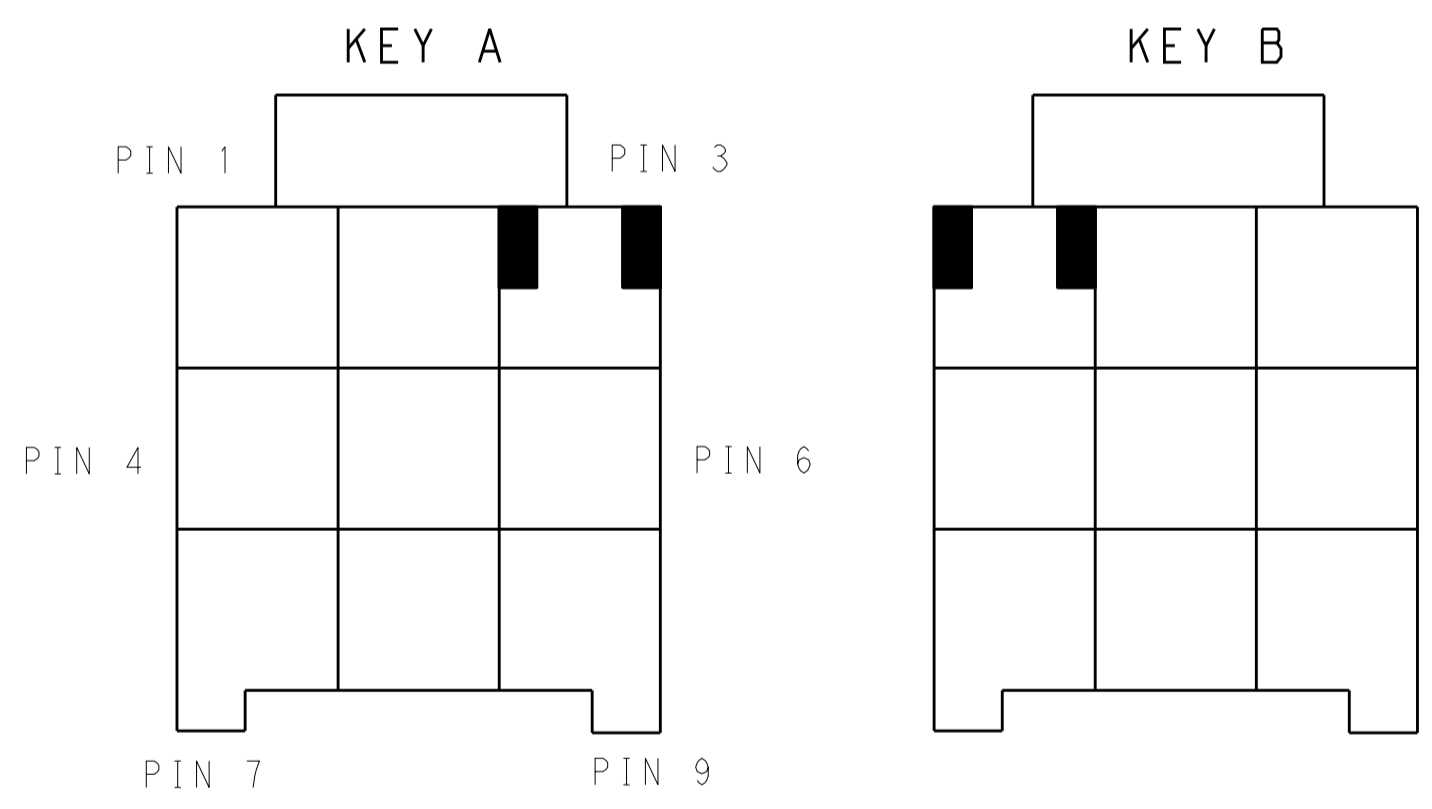


POS.	MATERIAL	KEY	P/N
3*5	LEVEL 1	KEY A	1-1971874-7
		KEY B	2-1971874-7
		KEY C	3-1971874-7
		KEY D	4-1971874-7
3*5	LEVEL 2	KEY A	5-1971874-7
		KEY B	6-1971874-7
		KEY C	7-1971874-7
		KEY D	8-1971874-7
3*4	LEVEL 1	KEY A	1-1971874-4
		KEY B	2-1971874-4
		KEY C	3-1971874-4
		KEY D	4-1971874-4
3*4	LEVEL 2	KEY A	5-1971874-4
		KEY B	6-1971874-4
		KEY C	7-1971874-4
		KEY D	8-1971874-4
3*3	LEVEL 1	KEY A	1-1971874-3
		KEY B	2-1971874-3
		KEY C	3-1971874-3
		KEY D	4-1971874-3
3*3	LEVEL 2	KEY A	5-1971874-3
		KEY B	6-1971874-3
		KEY C	7-1971874-3
		KEY D	8-1971874-3

3*3 POSITIONS

3*4 POSITIONS

3*5 POSITIONS



KEYING FOR 3*3 POS.

KEYING FOR 3*4 POS.

KEYING FOR 3*5 POS.

THIS DRAWING IS A CONTROLLED DOCUMENT.

DWG	TOMMY WU	09JUL2012
CHK	HAPYE WU	09JUL2012
APVD	YUHONG MAO	09JUL2012

DIMENSIONS: mm
 TOLERANCES UNLESS OTHERWISE SPECIFIED:
 0 PLC ±
 1 PLC ±0.35
 2 PLC ±0.25
 3 PLC ±
 4 PLC ±
 ANGLES ±
 MATERIAL FINISH

PRODUCT SPEC: 108-106118
 APPLICATION SPEC: 114-106118
 WEIGHT: -
 Customer Drawing

STE TE Connectivity
 CAP HOUSING, FREE HANGING, TRIPLE ROW POWER TRIPLE LOCK
 SIZE: A1 00779 C=1971874
 SHEET 2 OF 2 REV A1