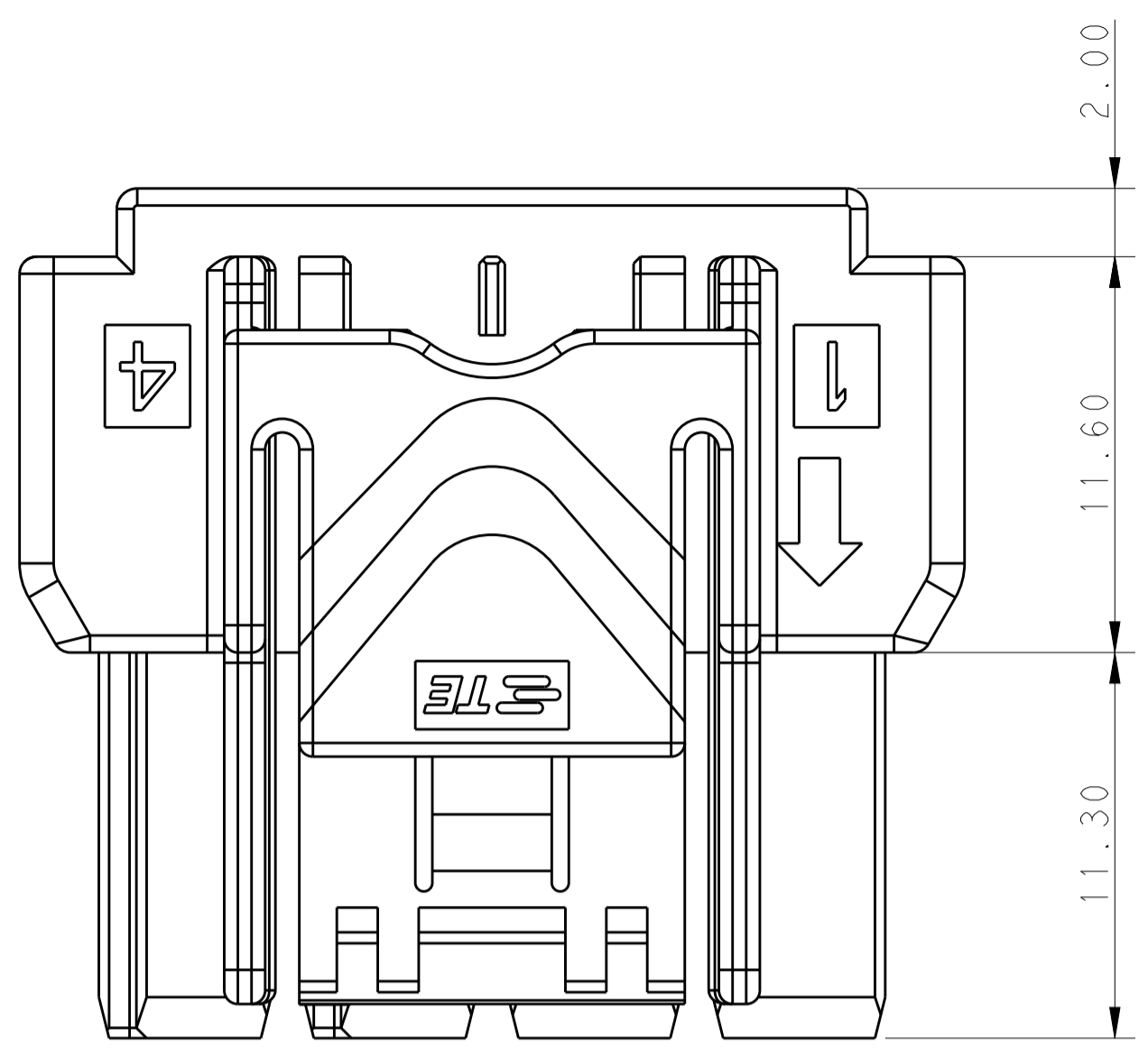
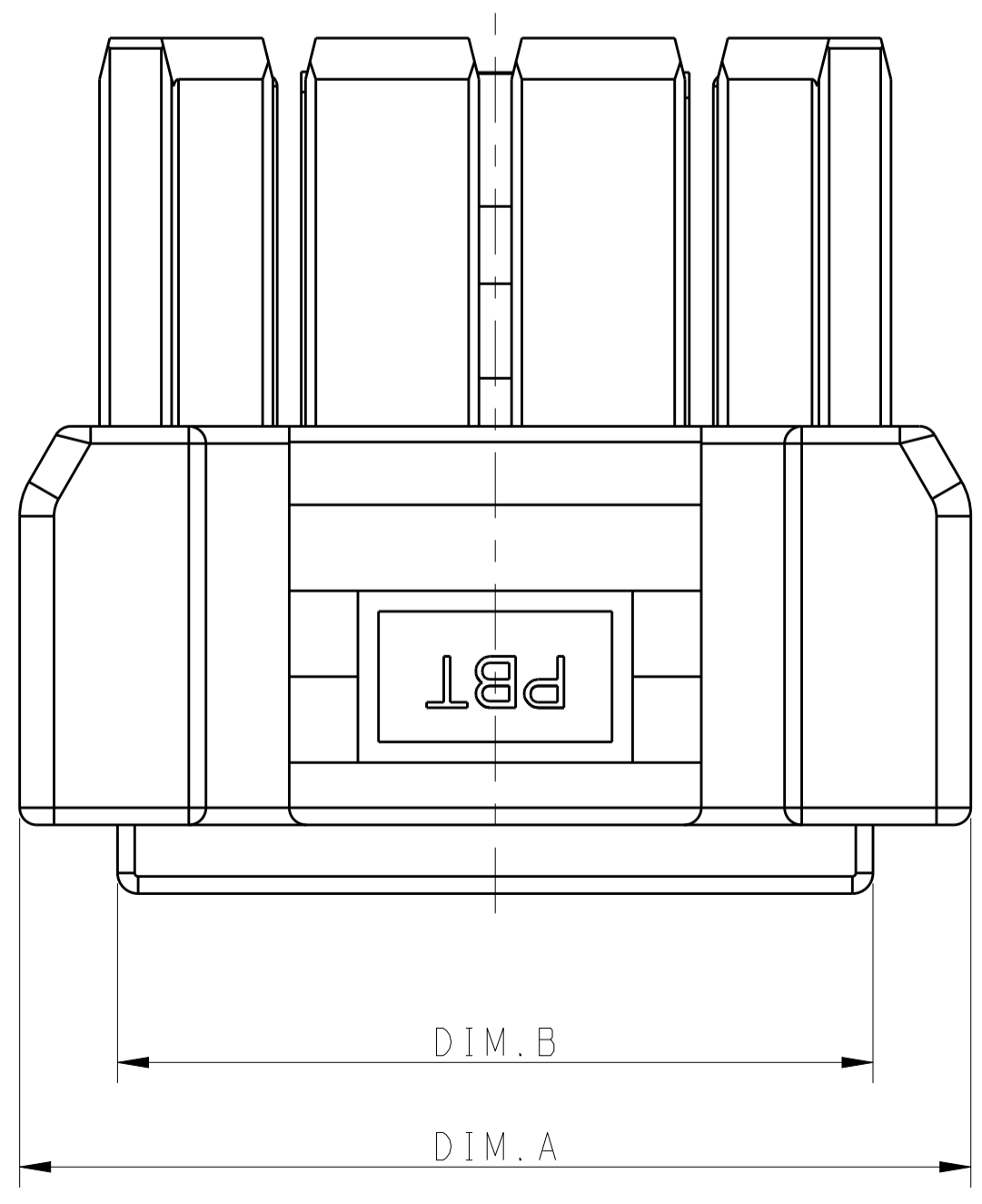
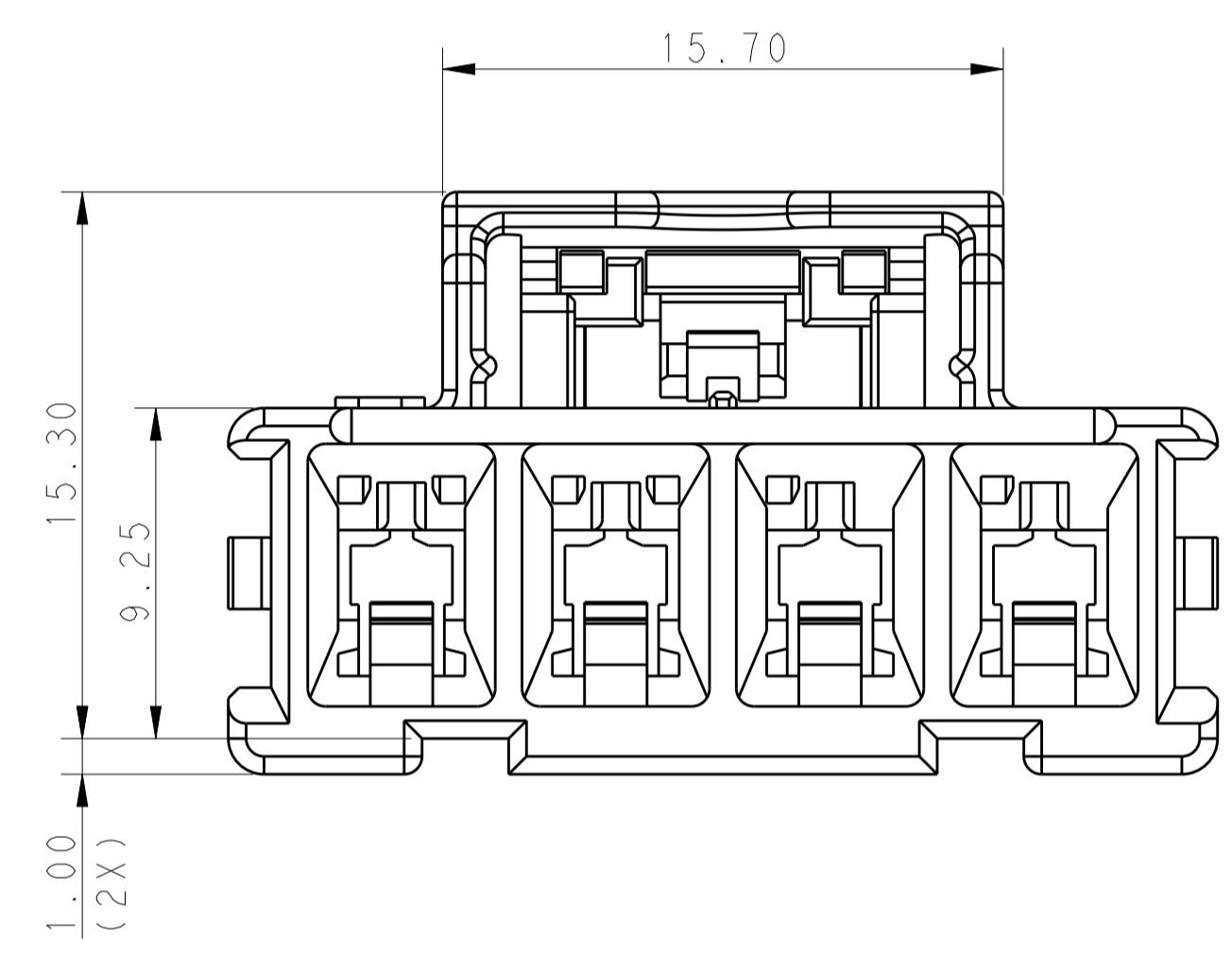
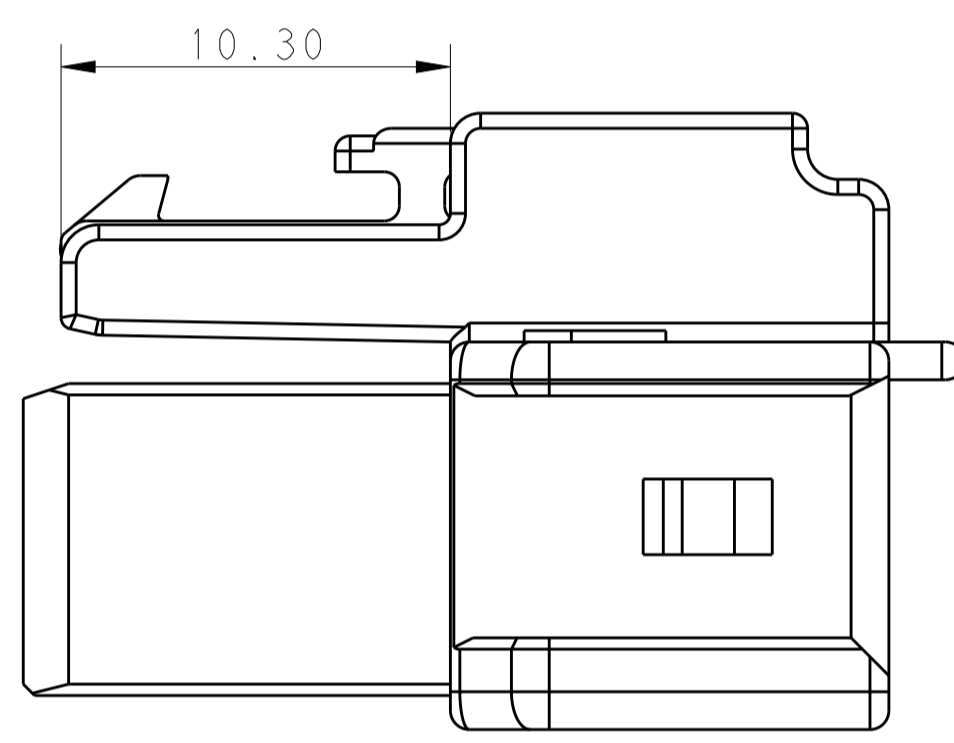
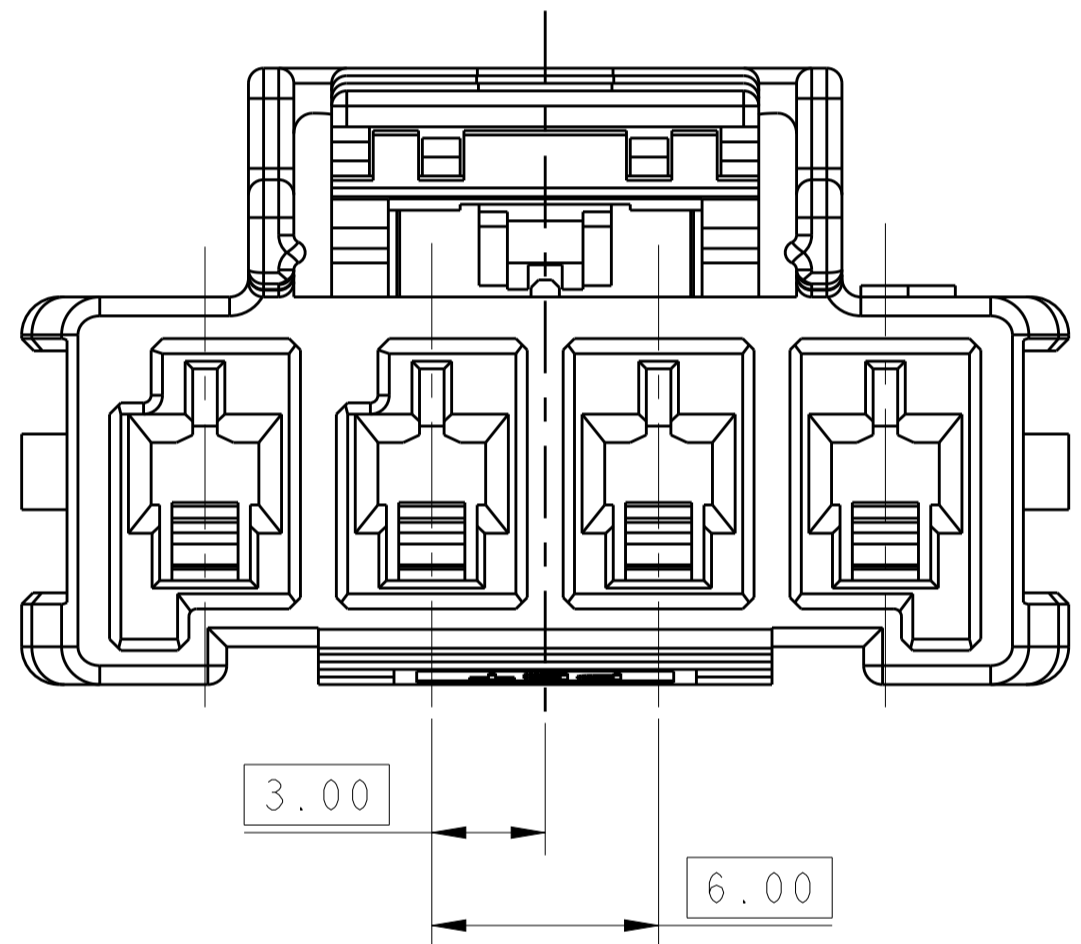


LOC		DIST		REVISIONS			
P	LTH	DESCRIPTION	DATE	DWN	APVD		
A		RELEASE DRAWING	04FEB2013	T.W	YH.M		
A1		ECR-13-005295	26MAR2013	T.W	YH.M		



POS.	DIM. A	DIM. B
1*5	33.70	28.00
1*4	27.70	22.00
1*3	21.70	16.00
1*2	15.70	10.00



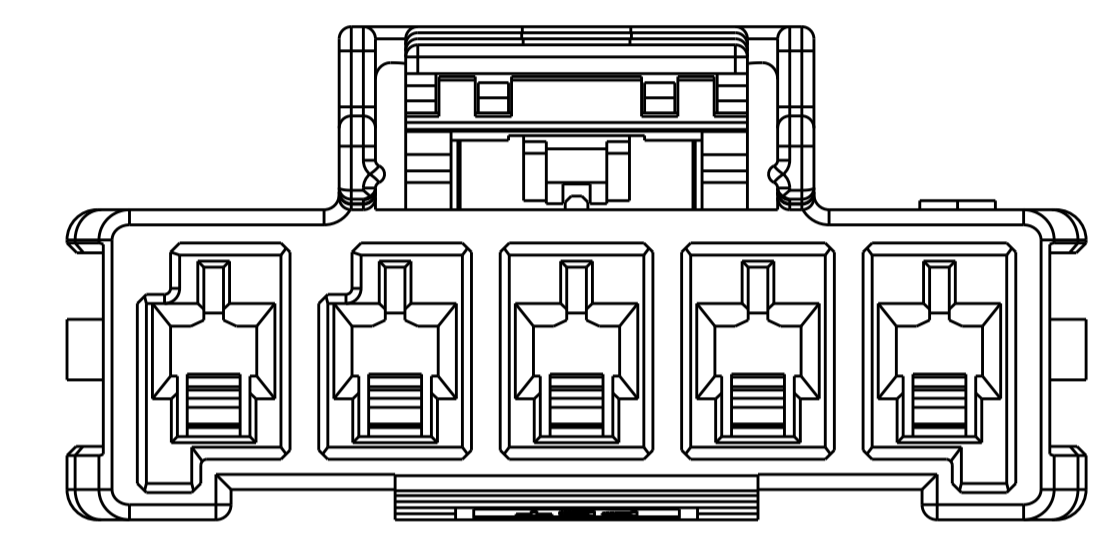
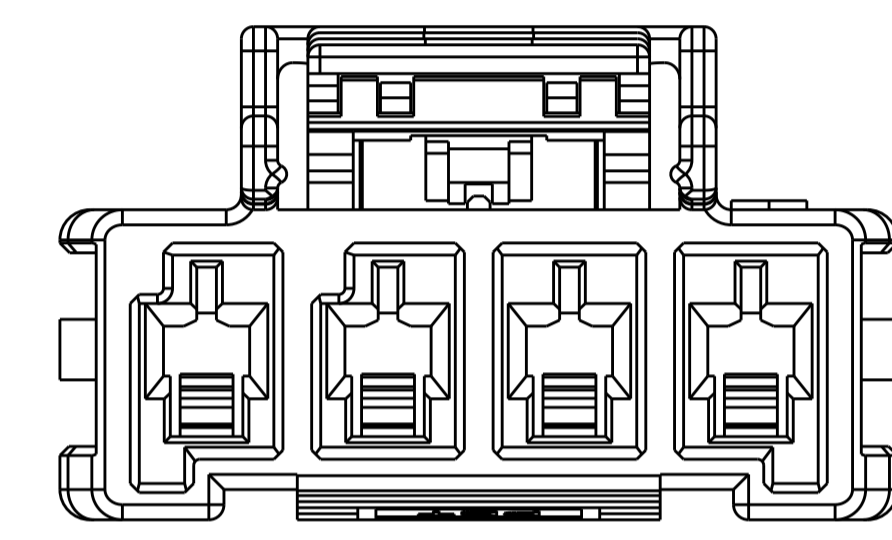
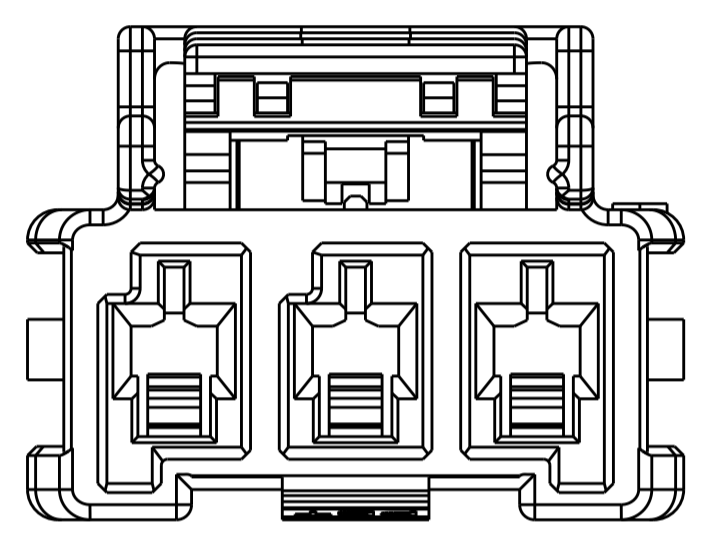
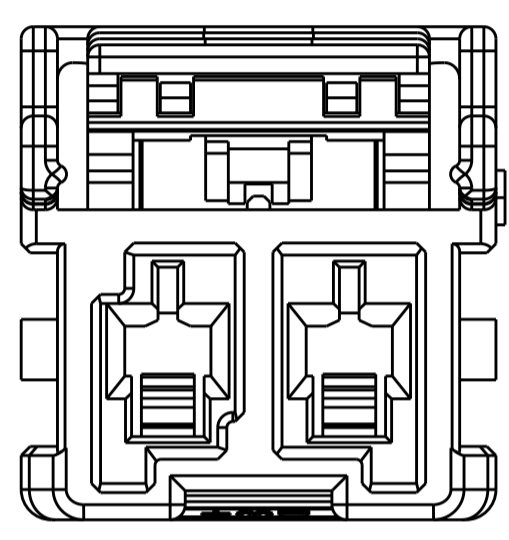
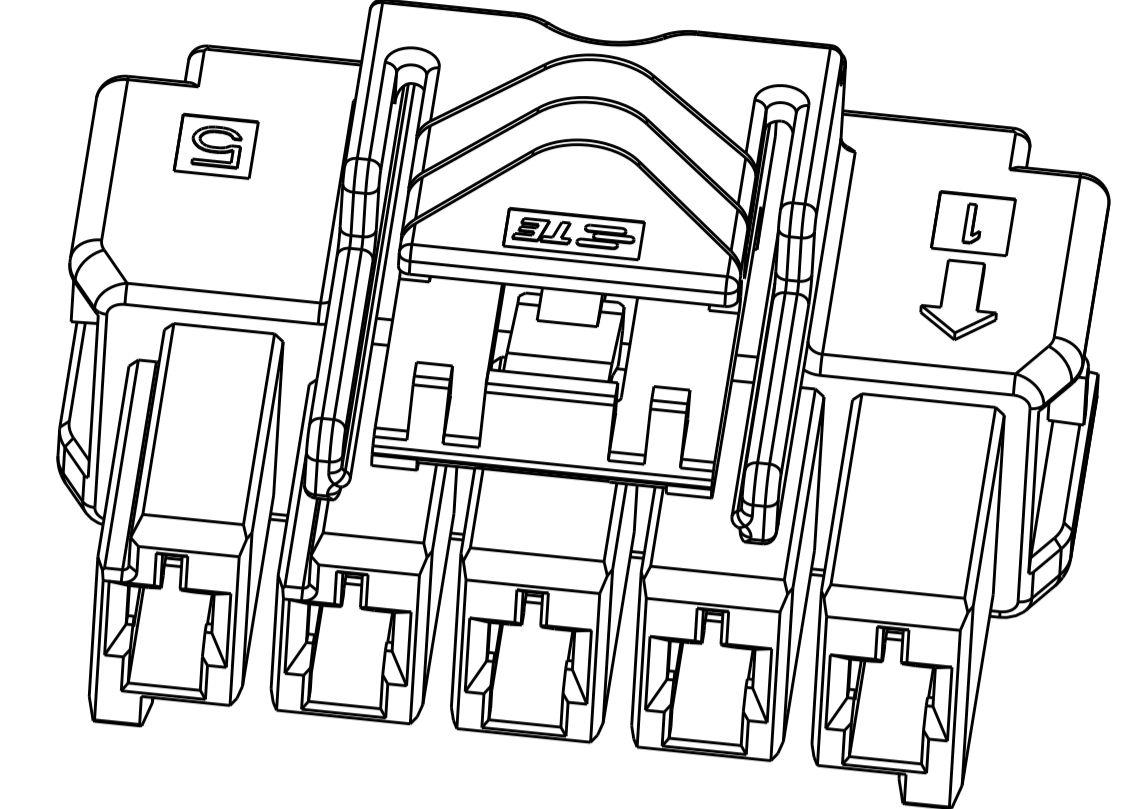
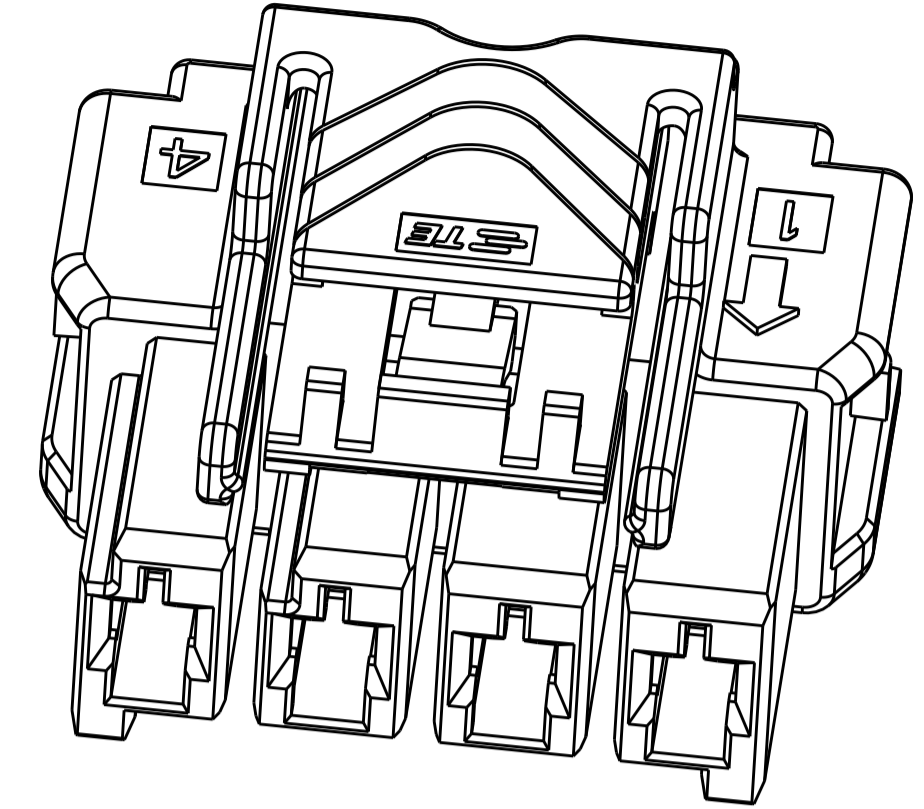
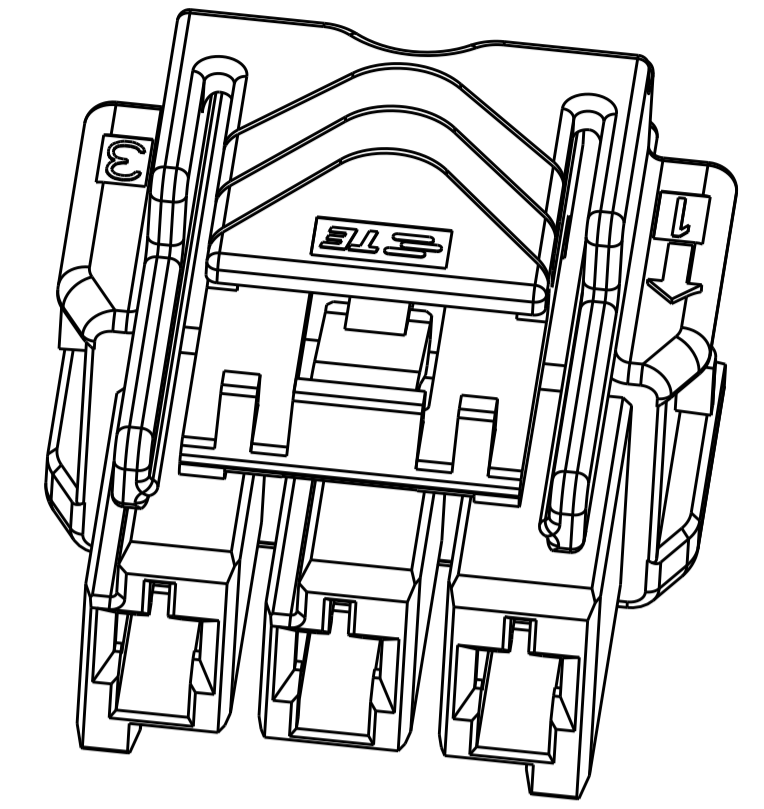
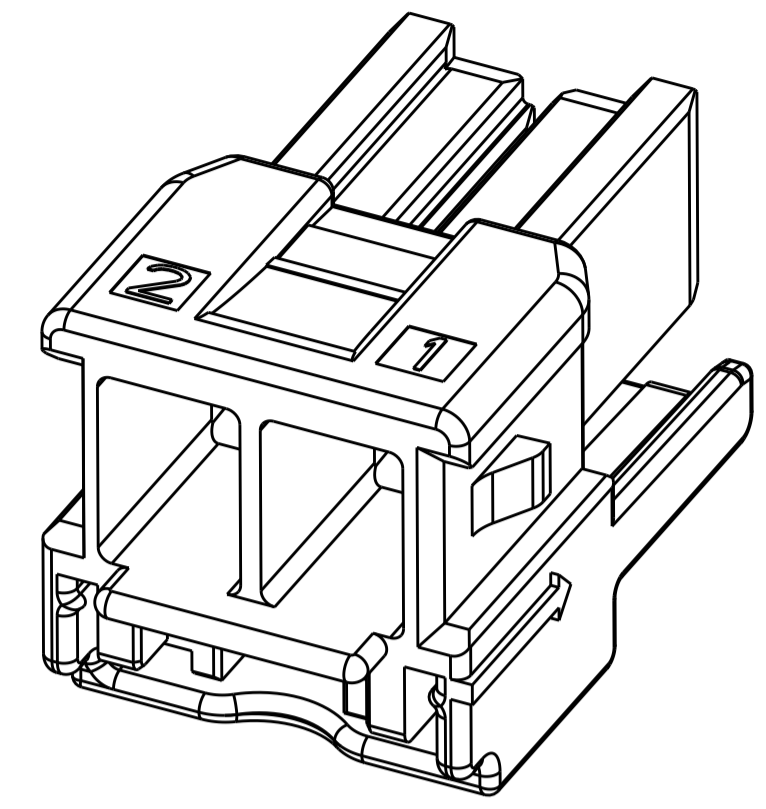
- NOTE
- MATERIAL:
 LEVEL 1:PBT,STANDARD
 KEY A:NATRUAL; KEY B:PURPLE; KEY C:BLUE; KEY D:YELLOW

 LEVEL 2:NYLON,HIGH TEMPERATURE 150°C
 KEY A:LIGHT GREY; KEY B:LIGHT GREY; KEY C:LIGHT GREY; KEY D:LIGHT GREY
 - MATERIAL MARK:
 LEVEL 1:PBT,LEVEL 2:HDT
 - APPLICABLE CONTACT P/N
 REC CONTACT:1971237/1971779/81/83/85/87-*
 - MATING CONN, P/N
 CAP HSG: *-1971771/2-
 DOUBLE LOCK PLATE: *-1971777-*
 - PRODUCT SPEC: 108-106118
 - APPLICATION SEPC:114-106118

1. This product has not completed validation testing.

THIS DRAWING IS A CONTROLLED DOCUMENT.		DWN	TOMMY_WU	09JUL2012	
DIMENSIONS:		CHK	HAPYE_WU	09JUL2012	
TOLERANCES UNLESS OTHERWISE SPECIFIED:		APVD	YUZHONG_MAO	09JUL2012	NAME
mm	0 PLC ±-	PRODUCT SPEC		108-106118	
	1 PLC ±0.35	APPLICATION SPEC		114-106118	
	2 PLC ±0.25	SIZE	CAGE CODE	DRAWING NO	RESTRICTED TO
	3 PLC ±-	A1	00779	C=1971773	-
	4 PLC ±-	WEIGHT		Customer Drawing	
	ANGLES ±-	SCALE		SHEET 1 OF 2	
	FINISH	REV		A1	

LOC	DIST	REVISIONS			
P	LTN	DESCRIPTION	DATE	DWN	APVD
-	-	SEE SHEET 1	-	-	-

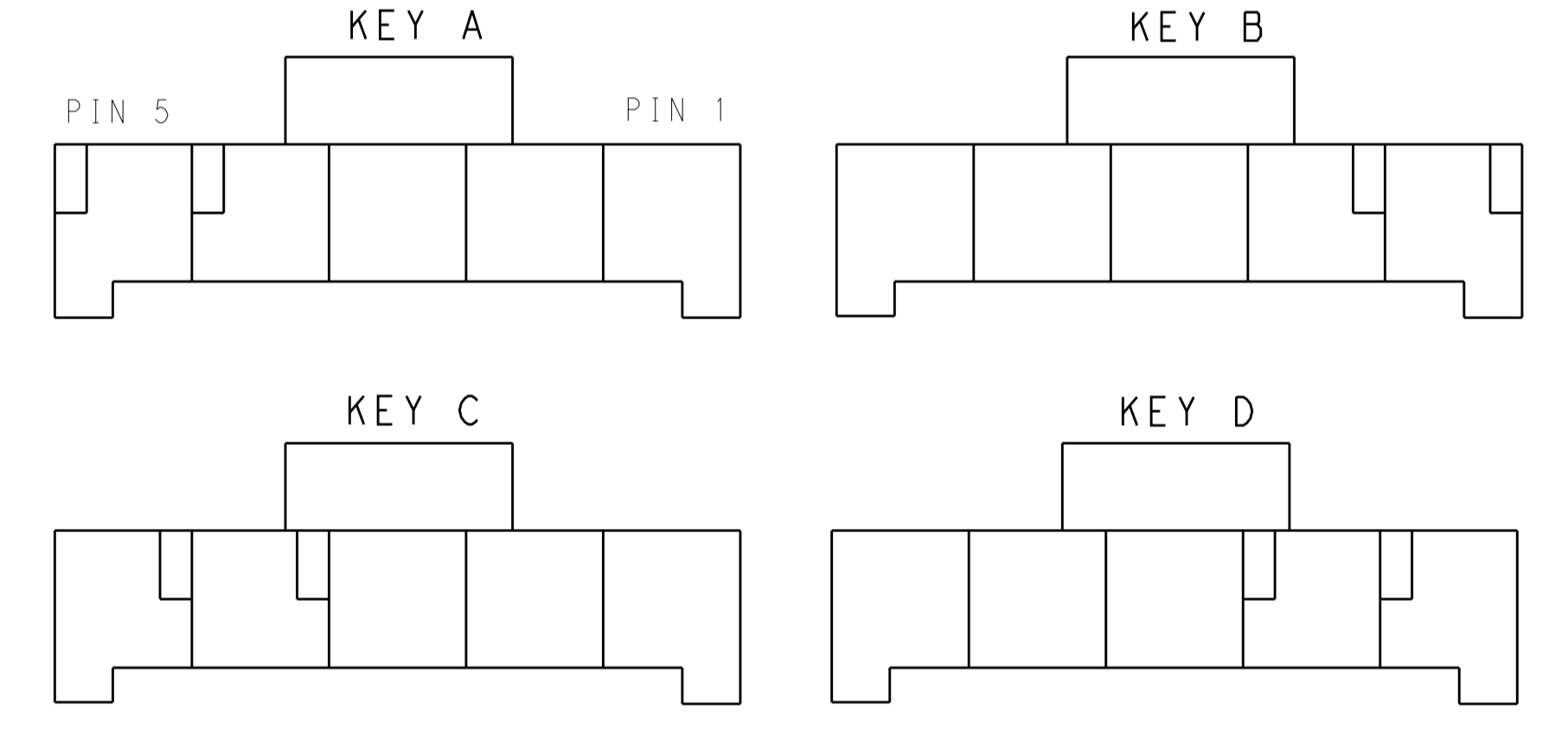
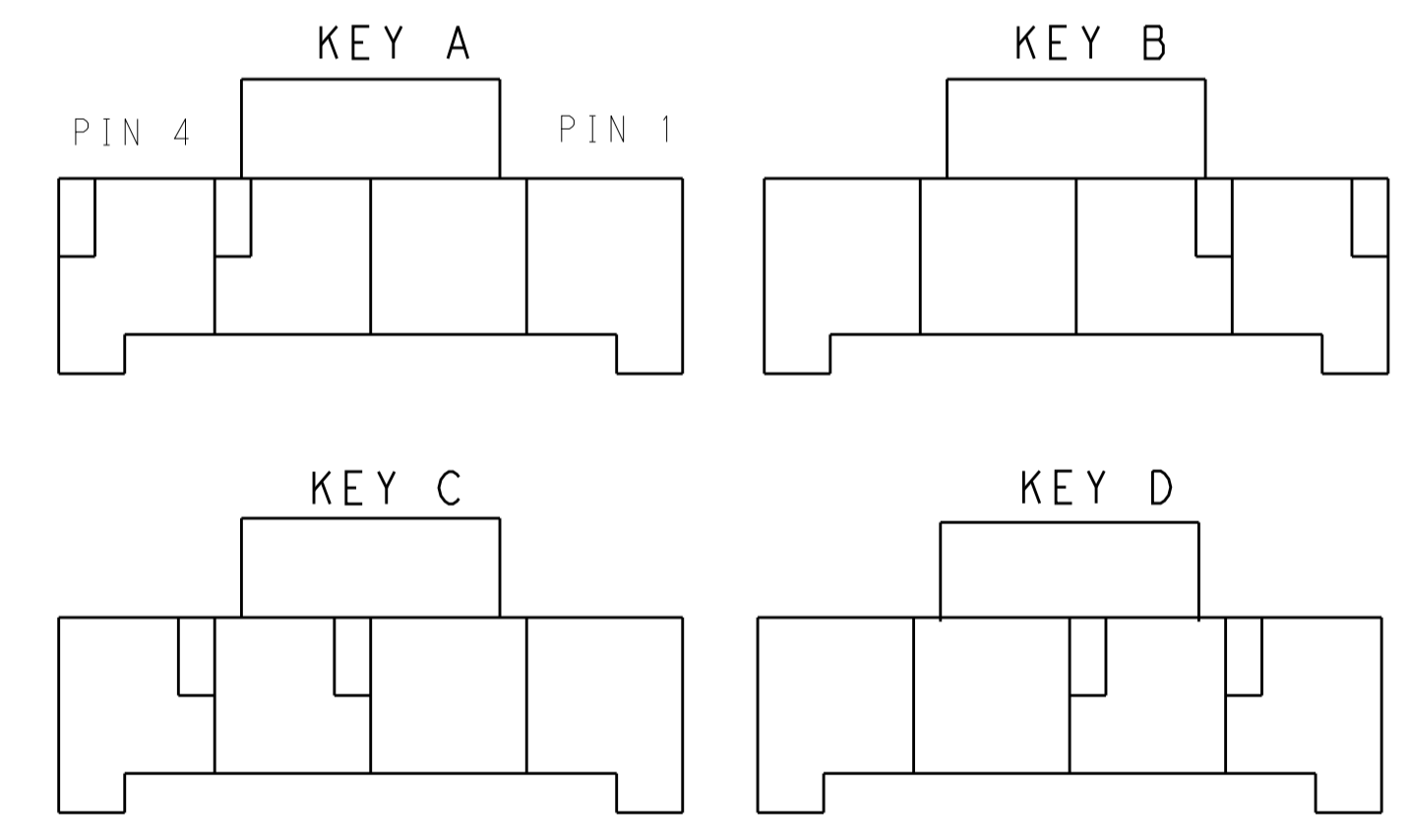
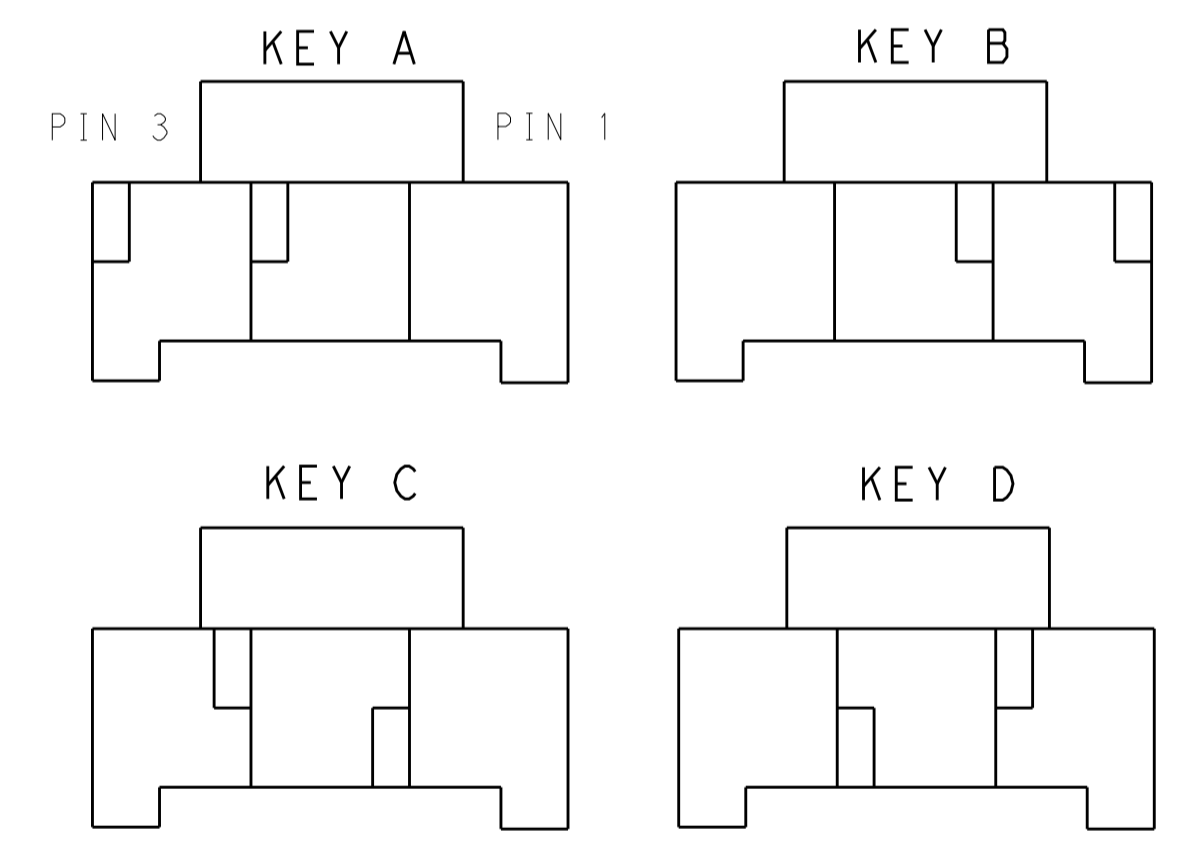
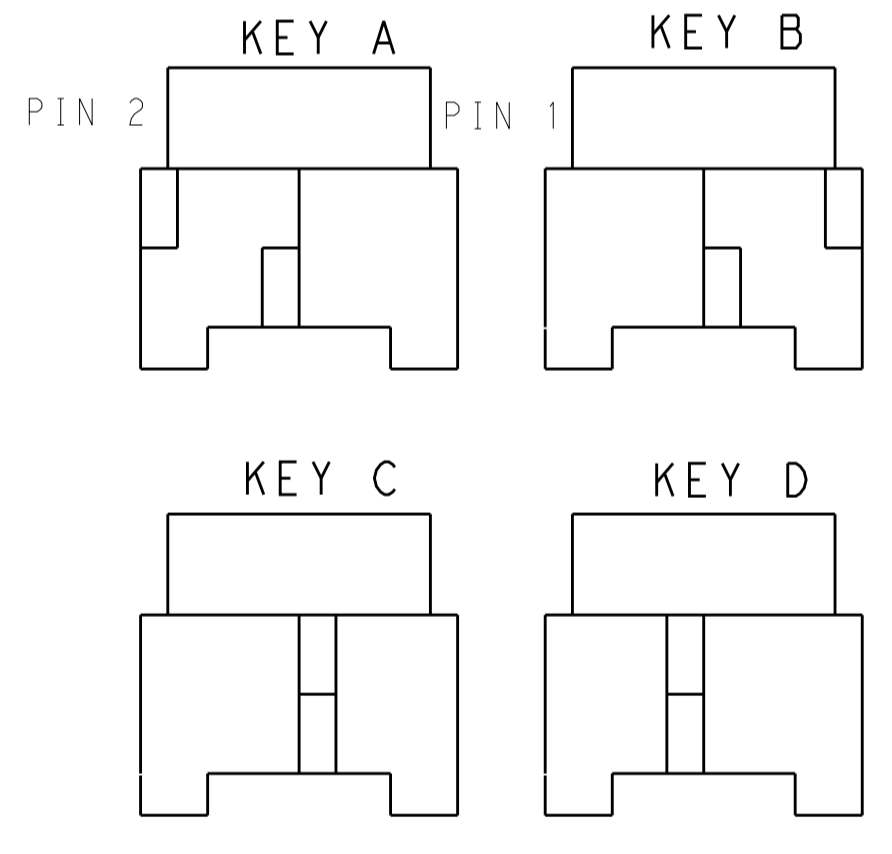


1*2 POSITIONS

1*3 POSITIONS

1*4 POSITIONS

1*5 POSITIONS



KEYING FOR 1*2 POS.

KEYING FOR 1*3 POS.

KEYING FOR 1*4 POS.

KEYING FOR 1*5 POS.

POS.	MATERIAL	KEY	P/N
1*3	LEVEL 1	KEY A	1-1971773-3
		KEY B	2-1971773-3
		KEY C	3-1971773-3
		KEY D	4-1971773-3
	LEVEL 2	KEY A	5-1971773-3
		KEY B	6-1971773-3
		KEY C	7-1971773-3
		KEY D	8-1971773-3
1*2	LEVEL 1	KEY A	1-1971773-2
		KEY B	2-1971773-2
		KEY C	3-1971773-2
		KEY D	4-1971773-2
	LEVEL 2	KEY A	9-1971773-2
		KEY B	6-1971773-2
		KEY C	7-1971773-2
		KEY D	8-1971773-2

POS.	MATERIAL	KEY	P/N
1*5	LEVEL 1	KEY A	1-1971773-7
		KEY B	2-1971773-7
		KEY C	3-1971773-7
		KEY D	4-1971773-7
	LEVEL 2	KEY A	5-1971773-7
		KEY B	6-1971773-7
		KEY C	7-1971773-7
		KEY D	8-1971773-7
1*4	LEVEL 1	KEY A	1-1971773-4
		KEY B	2-1971773-4
		KEY C	3-1971773-4
		KEY D	4-1971773-4
	LEVEL 2	KEY A	5-1971773-4
		KEY B	6-1971773-4
		KEY C	7-1971773-4
		KEY D	8-1971773-4

THIS DRAWING IS A CONTROLLED DOCUMENT.

DIMENSIONS:	TOLERANCES UNLESS OTHERWISE SPECIFIED:	DWN: TOMMY WU 09JUL2012	CHK: HAPYE WU 09JUL2012	APVD: YUHONG MAO 09JUL2012
mm	0 PLC ±- 1 PLC ±0.35 2 PLC ±0.25 3 PLC ±- 4 PLC ±- ANGLES ±-	NAME: YUHONG MAO	PRODUCT SPEC: 108-106118	APPLICATION SPEC: 114-106118
MATERIAL:	FINISH:	SIZE: A1	CAGE CODE: 100779	DRAWING NO: 1971773
Customer Drawing		SCALE: -	SHEET: 2	OF: 2

STE TE Connectivity
PLUG HOUSING, SINGLE ROW
POWER TRIPLE LOCK