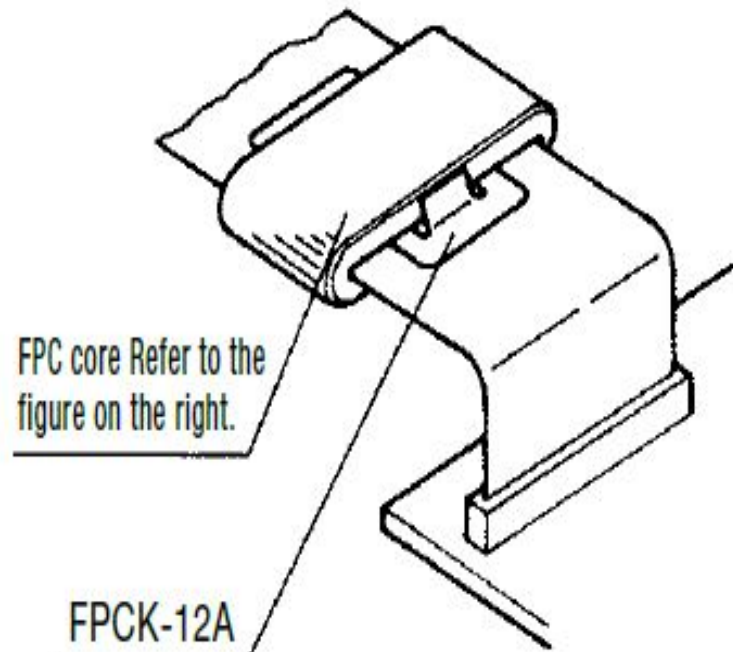


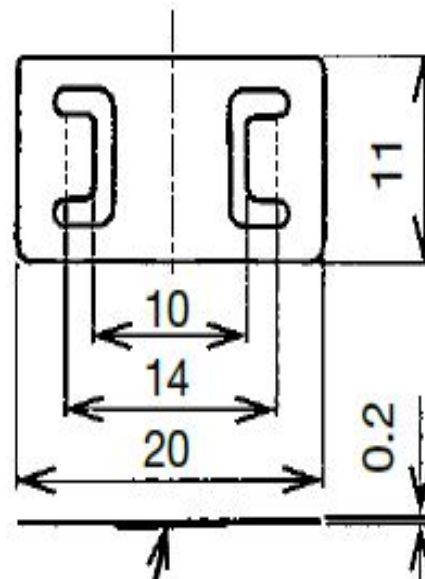
FPC STOPPER (For GFPC cores)

PVC (UL94V-0)

Material : PVC (Clear / UL94V-0)

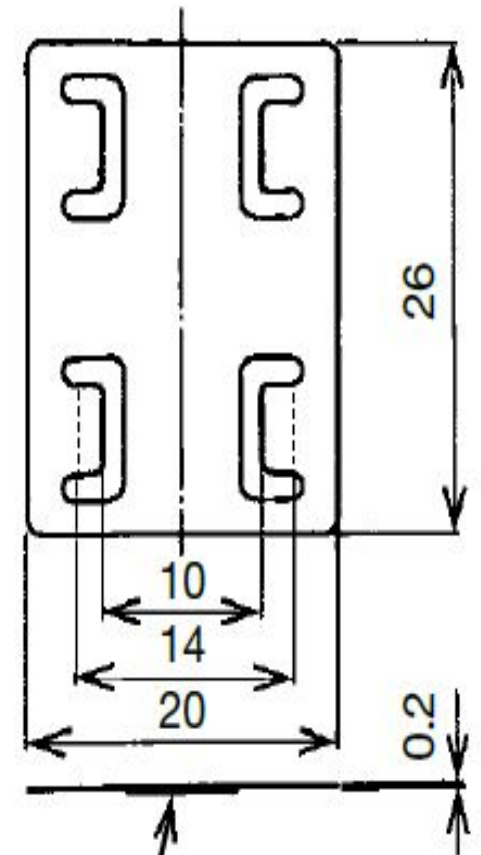


■FPCK-12A



Double-sided adhesive tape

■FPCK-12B



Double-sided adhesive tape

Available in both flat types and with fixing fingers already open