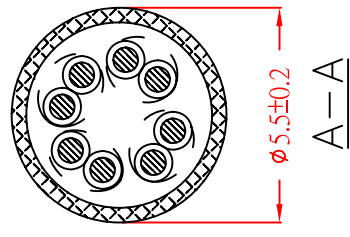
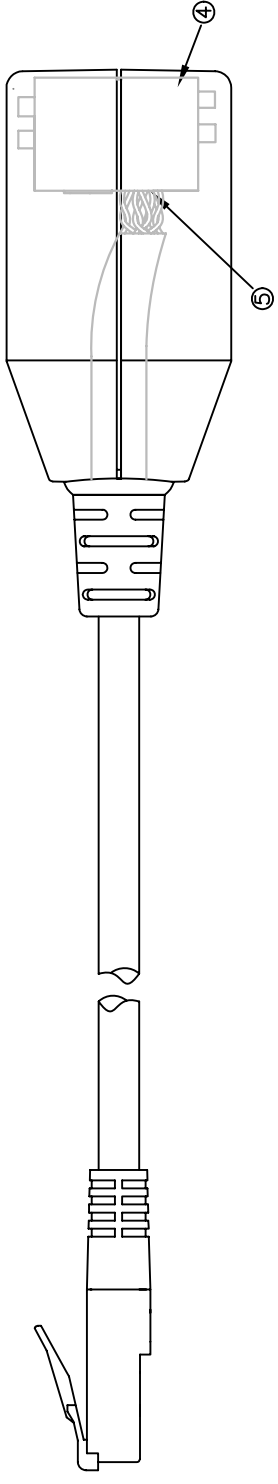
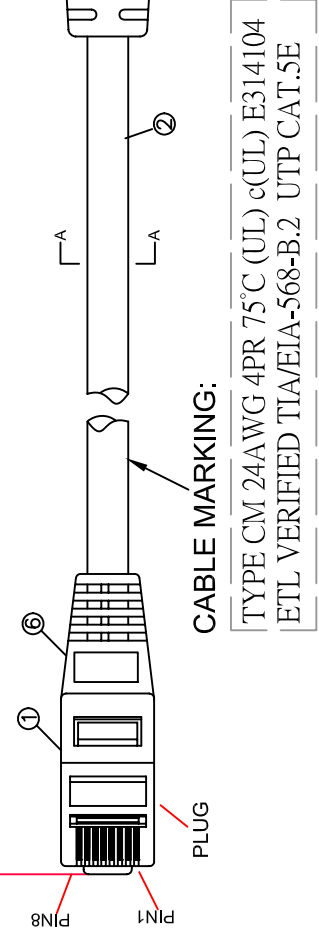
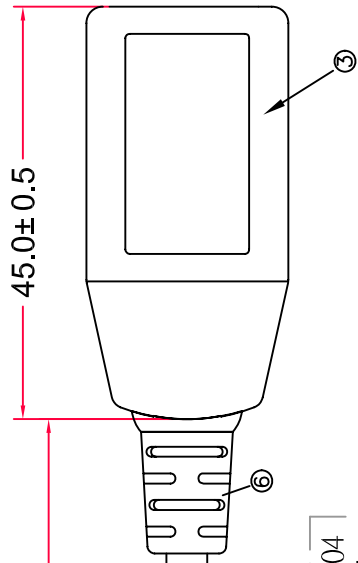
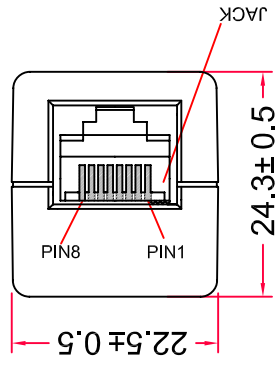


1 2 3 4 5 6 7

ROHS COMPLIANT



WIRING: T568B

PLUG	SPJ	COLOR
PIN1		WHITE/ORANGE
PIN2		ORANGE
PIN3		WHITE/GREEN
PIN6		GREEN
PIN4		BLUE
PIN5		WHITE/BLUE
PIN7		WHITE/BROWN
PIN8		BROWN

NO	NAME	MATERIAL	SPECIFICATION	QTY	REMARK
⑥	SR	PVC V0	60 PA BLACK (BN:73)	2	PLPVCXXXXXXXXX60
⑤	2121 Terminal	Cu		8	NRGX
④	JACK	ABS V0	8P BLACK(BN:42)	1	JH641-8XXXXXX
		Cu	Length=12.2mm Contact Fil Short=12.2mm	8	GP98TXX-0.8
③	HOUSING	ABS V0	8P BLACK(BN:42)	1	JH641-8XXXXXX
		ABS V0	UP/BOTTOM BLACK(BN:42)	1	AHSSPJ8UXXXX
②	CABLE	PVC V0	CAT.5e UTP 24AWG(7*0.2) BLACK	1	AHSSPJ8DXXXX
		PC V0	8P8C 6U" Gold	1	TC8C24XXXCXS101
①	PLUG	PC V0		1	PG88Xf08X00 PG88X2000XY0-1-IH3

APPD.	P/N	FTT

CHKD.	FILE	Performance- Tested to Category 5

DR.	TITLE	TL

TUK Ltd

SCALE	SIZE
/	A4

UNIT	MM	REV.	A1

REV.	DESCRIPTION	Date	ENG.	APPROVAL
A1	Delete label			

1 2 3 4 5 6 7