

SPRING PROBES

TECHNICAL SUMMARY

Plunger: Beryllium Copper, rhodium plated
 Barrel: Brass, gold plated
 Spring: Stainless steel
 Sleeve: Brass, Gold plated
 Full Travel: 4.20mm (P25-XX22/23)

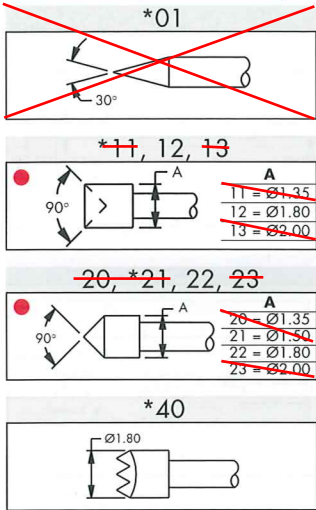
Spring Force: 3.50mm (P25-XX24)
 3.00mm (P25-XX25)
 1.47N @ 4.20mm (P25-XX22/23)
 1.47N @ 3.50mm (P25-XX24)
 1.47N @ 3.00mm (P25-XX25)
 Current Rating: 3 AMPS
 Contact Resistance: 50 Milliohms
 Recommended Mounting Hole: $\varnothing 1.70 - \varnothing 1.75$ mm

**TWO PART
 SPRING PROBES**
 2.54mm (0.100") CENTRES

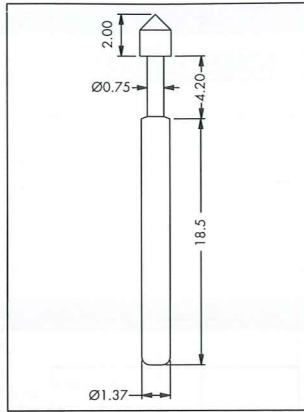
PROBE HEAD

See Page R4-R5 for additional head styles

ORDER CODE



PROBE



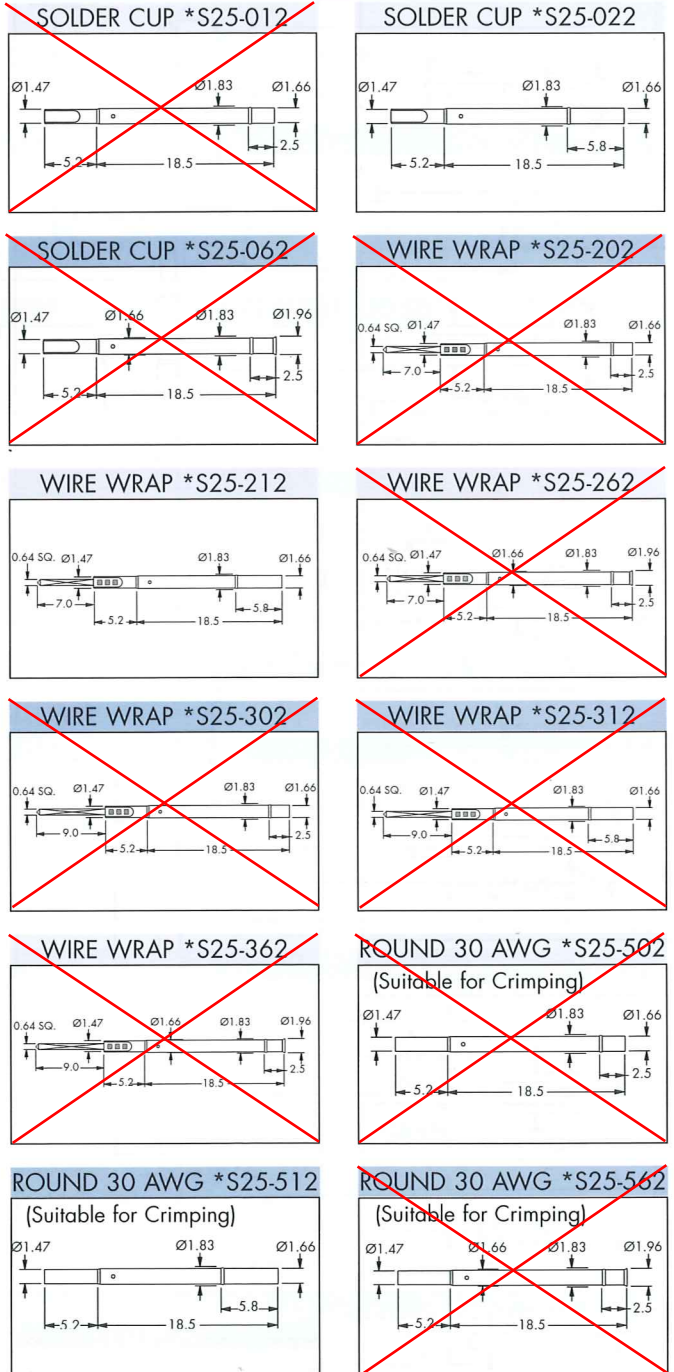
ORDER CODE: P25-XX22

Replace the XX with the probe head code.
 Please order sleeves separately.

SLEEVES

2.54mm Sleeves to match with order codes P25-XX22, P25-XX23, P25-XX24 and P25-XX25.

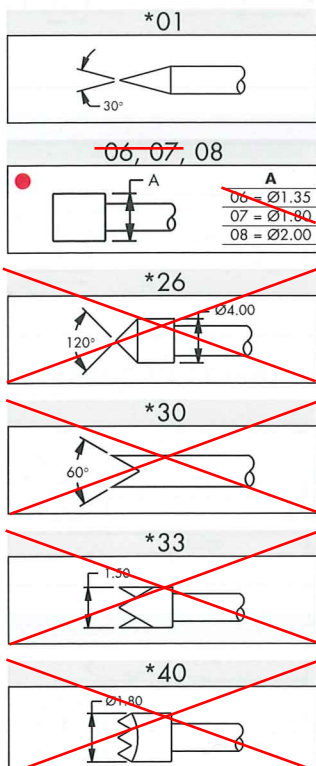
ORDER CODE



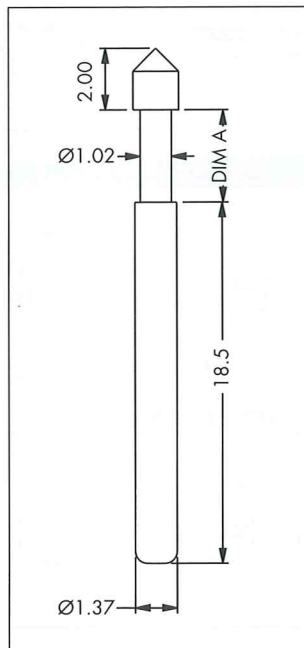
PROBE HEAD

See Page R4-R5 for additional head styles

ORDER CODE



PROBE



DIM A	ORDER CODE
4.20mm	P25-XX23
3.50mm	P25-XX24
3.00mm	P25-XX25

• Dimensions and Headstyles apply to P25-XX22/23/24/25
 * Please contact sales for availability