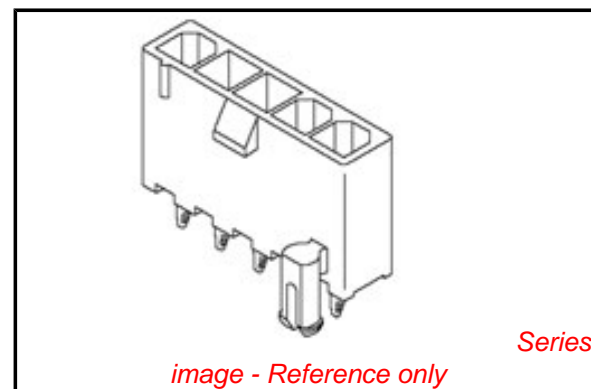


PLEASE CHECK WWW.MOLEX.COM FOR LATEST PART INFORMATION

Part Number: [39-30-2056](#)
Status: **Active**
Overview: [Mini-Fit Jr.™](#)
Description: Mini-Fit® Jr. Header, 4.20mm Pitch, Single Row, Vertical, with Snap-in Plastic Peg PCB Lock, 5 Circuits, PA Polyamide Nylon 6/6, UL 94V-0, Tin (Sn) Plating, with Drain Holes

Documents:

| | |
|---|--|
| 3D Model | Test Summary TS-5556-002 (PDF) |
| Drawing (PDF) | RoHS Certificate of Compliance (PDF) |
| Product Specification PS-5556-001 (PDF) | |



Agency Certification

| | |
|-----|---------|
| CSA | LR19980 |
| UL | E29179 |

General

| | |
|----------------|---|
| Product Family | PCB Headers |
| Series | 5566 |
| Application | Power, Wire-to-Board |
| Comments | The 5566 header should be used with standard Mini-Fit® female terminals. If increased amperage of up to 13A per circuit is needed, please consider using the Mini-Fit® Plus HCS family 45750 terminals with 46014 headers; . See Molex Product specification for current de-rating information. |
| Overview | Mini-Fit Jr.™ |
| Product Name | Mini-Fit Jr.™ |
| UPC | 800753683839 |

Physical

| | |
|--------------------------------|----------|
| Breakaway | No |
| Circuits (Loaded) | 5 |
| Circuits (maximum) | 5 |
| Color - Resin | Natural |
| Durability (mating cycles max) | 30 |
| First Mate / Last Break | No |
| Flammability | 94V-0 |
| Glow-Wire Compliant | No |
| Guide to Mating Part | No |
| Keying to Mating Part | None |
| Lock to Mating Part | Yes |
| Material - Metal | Brass |
| Material - Plating Mating | Tin |
| Material - Plating Termination | Tin |
| Material - Resin | Nylon |
| Net Weight | 1.272/g |
| Number of Rows | 1 |
| Orientation | Vertical |
| PC Tail Length | 3.50mm |
| PCB Locator | Yes |
| PCB Retention | Yes |
| PCB Thickness - Recommended | 1.60mm |
| Packaging Type | Tray |
| Pitch - Mating Interface | 4.20mm |
| Pitch - Termination Interface | 4.20mm |

EU RoHS **China RoHS**

ELV and RoHS Compliant
REACH SVHC Contains SVHC: No
Low-Halogen Status Low-Halogen



Need more information on product environmental compliance?

Email productcompliance@molex.com
 For a multiple part number RoHS Certificate of Compliance, [click here](#)

Please visit the [Contact Us](#) section for any non-product compliance questions.

Search Parts in this Series

[5566Series](#)

Mates With

[5557 Mini-Fit Jr.™ Receptacle Housing](#)

Use With

[5556 Mini-Fit® Crimp Terminal](#)

| | |
|--------------------------------|-----------------|
| Plating min - Mating | 0.889µm |
| Plating min - Termination | 0.889µm |
| Polarized to Mating Part | Yes |
| Polarized to PCB | Yes |
| Shrouded | Fully |
| Stackable | No |
| Surface Mount Compatible (SMC) | No |
| Temperature Range - Operating | -40°C to +105°C |
| Termination Interface: Style | Through Hole |

Electrical

| | |
|-------------------------------|------|
| Current - Maximum per Contact | 13A |
| Voltage - Maximum | 600V |

Solder Process Data

| | |
|--|------------------------|
| Duration at Max. Process Temperature (seconds) | 5 |
| Lead-free Process Capability | Wave Capable (TH only) |
| Max. Cycles at Max. Process Temperature | 1 |
| Process Temperature max. C | 240 |

Material Info

| | |
|-----------------|---------------|
| Old Part Number | 5566-05B3-210 |
|-----------------|---------------|

Reference - Drawing Numbers

| | |
|-----------------------|---------------------------|
| Product Specification | PS-5556-001, RPS-5556-004 |
| Sales Drawing | SDA-5566-NL* |
| Test Summary | TS-5556-002 |

This document was generated on 07/23/2013

PLEASE CHECK WWW.MOLEX.COM FOR LATEST PART INFORMATION