

UMK-BE 45

Order No.: 2970015


The illustration shows a combination of versions UMK SE 11,25, UMK BE 11,25,- 22,5, -45 and UMK-FE



<http://eshop.phoenixcontact.co.uk/phoenix/treeViewClick.do?UID=2970015>

Electronic board base, plug-in module base element

Commercial data

EAN	 4 017918 087548
Pack	10
Customs tariff	85472000
Gross weight in pieces	15.77 g
Country of Origin	PL
Catalog page information	Page 760 (CAT-1-2013)

Product notes

WEEE/RoHS-compliant since:
01/01/2003



Please note that the data given here has been taken from the online catalog. For comprehensive information and data, please refer to the user documentation at <http://www.download.phoenixcontact.com>. The General Terms and Conditions of Use apply to Internet downloads.

Technical data

General

Housing type	Panel mounting base
Housing material	Polyamide
Color	green

Dimensions

Length	77 mm
Width	45 mm

Technical data

Ambient temperature (operation)	-40 °C ... 105 °C
Inflammability class according to UL 94	V2

Certificates



Certification UL Recognized

Certifications applied for:

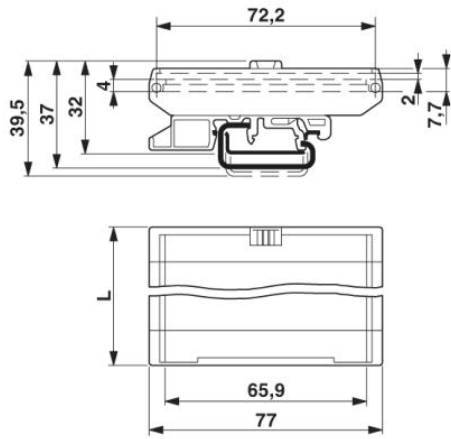
Certification Ex:

Accessories

Item	Designation	Description
Assembly		
2976077	UMK-BF	Mounting flange, for mounting directly on the wall
General		
2971535	UMK-BE 11,25	Electronic board base, plug-in module base element
2970028	UMK-BE 22,5	Electronic board base, plug-in module base element
2970031	UMK-FE	Foot element, for mounting on DIN rail NS 32 or DIN rail NS 35/7.5, can be inserted between base and side element

Drawings

Dimensioned drawing



UMK-BE 45 Order No.: 2970015

<http://eshop.phoenixcontact.co.uk/phoenix/treeViewClick.do?UID=2970015>

Address

PHOENIX CONTACT Ltd
Halesfield 13
Telford / Shropshire / TF7 4PG,England
Phone 01952 681 700
Fax 01952 681 799
<http://www.phoenixcontact.co.uk>



Phoenix Contact Ltd.
Technical modifications reserved;