

# Miniature Snap-In Nylon Rocker

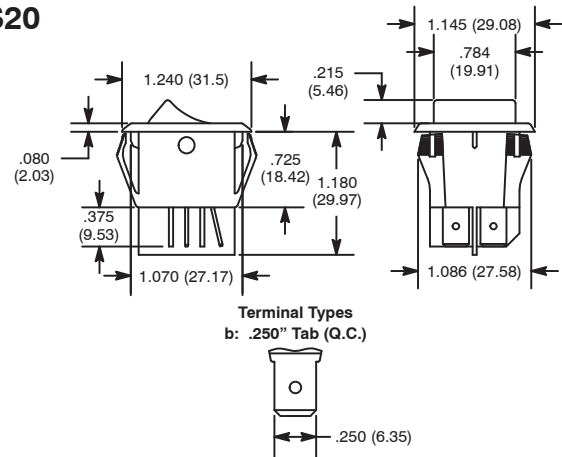


## Features

- .250" Quick Connect Terminals
- Fits Standard Panel Cutout
- Withstand Peak Inrush to 100 Amps



S20



## Specifications

**Current Rating:** 20A 125VAC, 15A 250VAC, 3/4 HP 125–250VAC  
**Insulation Resistance:** 100 Megohms (min.)  
**Dielectric Strength:** 1000V RMS (min.)  
**Temperature Rating:** -40° to +185°F (-40° to +85°C)  
**Electrical Life:** 50,000 cycles  
**Mechanical Life:** 100,000 cycles  
**Terminal Type:** .250" Tab Q.C.  
**Mounting Hole:** 1.125 (28.58) x 1.000 (25.4)

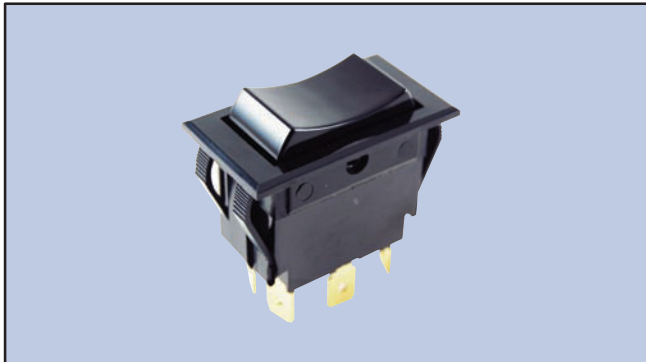
NTE Type No.	Circuitry	Action			Actuator		Diag No.
					Material	Color	
54-081	DPST	OFF	NONE	ON	Nylon	Black	S20b

# Snap-In Nylon Rocker

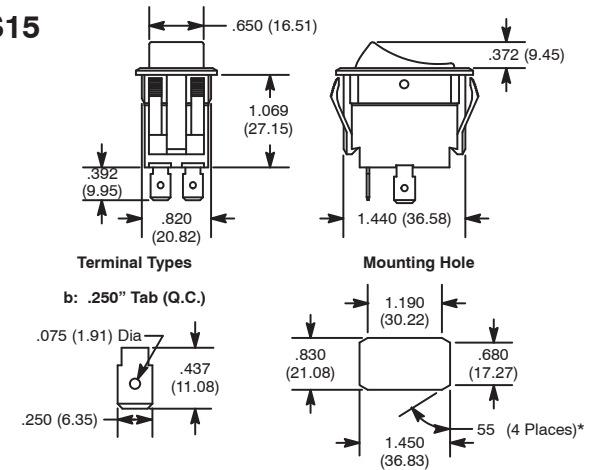


## Features

- AC Rated, Also Suitable for Low Voltage DC Applications



S15



## Specifications

**Current Rating:** 15A 125VAC, 10A 250VAC, 3/4 HP 125–250VAC  
**Insulation Resistance:** 100 Megohms (min.)  
**Dielectric Strength:** 1000V RMS (min.)  
**Temperature Rating:** +32° to +185°F (0° to +85°C)  
**Electrical Life:** 50,000 cycles  
**Mechanical Life:** 100,000 cycles (min.)  
**Terminal Type:** .250" Tab Q.C.  
**Mounting Hole:** 1.450 (36.83) x .830 (21.08)

NTE Type No.	Circuitry	Action			Actuator		Diag No.
					Material	Color	
54-047	SPST	ON	NONE	OFF	Nylon	Black	S15b
54-048	SPDT	ON	NONE	ON	Nylon	Black	S15b
54-049	SPDT	ON	OFF	ON	Nylon	Black	S15b
54-050	DPST	ON	NONE	OFF	Nylon	Black	S15b
54-051	DPDT	ON	NONE	ON	Nylon	Black	S15b
54-052	DPDT	ON	OFF	ON	Nylon	Black	S15b
54-114	DPST	(ON)	NONE	OFF	Nylon	Black	S15b
54-115	DPST	ON	NONE	(OFF)	Nylon	Black	S15b
54-116	DPDT	ON	NONE	(ON)	Nylon	Black	S15b
54-117	DPDT	ON	OFF	(ON)	Nylon	Black	S15b
54-118	DPDT	(ON)	OFF	(ON)	Nylon	Black	S15b

SPECIAL NOTE: ( ) = Momentary Function

\* Angled corners are suggested for optimum fit. Standard rectangular cutout is acceptable