

**7/8"-Splitters/T-Connectors / Power Tap**

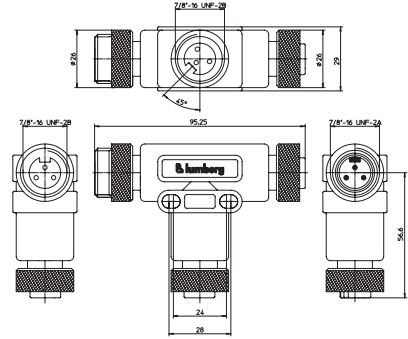
0906 UTP 311



**2 x 7/8" Female to 1 x 7/8" Male**

Splitter/T-connector, with one 7/8" female, one 7/8" male and one 7/8" female connectors, 3-poles.

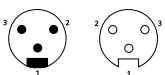
**0906 UTP 303**



**Pin Assignments**

**Face Views**

**7/8" - 3 poles**



- 1 = earth
- 2 = + 24 V
- 3 = GND (0 V)



# Be Certain with Belden

## 7/8"-Splitters/T-Connectors / Power Tap 0906 UTP 311

### Technical Data

#### Environmental

Degree of protection IP 67 / NEMA 6P  
 Operating temperature range -40°C (-40°F) / +90°C (+194°F)

#### Mechanical

Housing / Molded body TPU  
 Insert TPU  
 Contact CuZn, gold over silver plating  
 Coupling nut Aluminum, black anodized

#### Electrical

Nominal current 8 A  
 Nominal voltage 600 V

Splitters and Adapters

Part Number	Pins	Characteristics
0906 UTP 311	3	