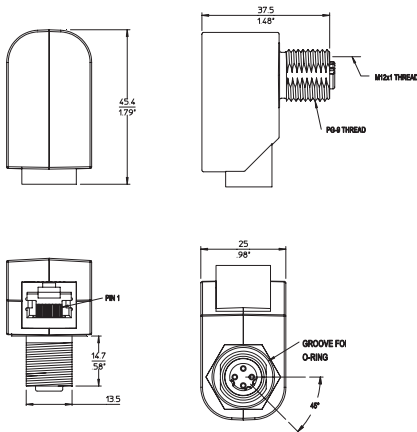




Industrial Ethernet Panel-Mount Adaptors for PROFINET or Ethernet/IP Applications

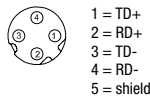


Type	0981 ENC 100
Product description	RJ45/M12 adaptor, female receptacle connector M12, D coding, chassis side thread PG 9, RJ45 female connector, 90 degree.
Environmental	
Degree of protection	IP 20 / IP 67
Operating temperature range	0°C (32°F) to +70°C (+158°F)
Materials	
Housing	PA
M12	
Contacts	CuZn, pre-nickel and gold-plated
Housing	CuZn, nickel-plated
insert	PUR, selfextinguishing
O-ring	FKM
RJ45	
Contacts	CuSn, pre-nickel and gold-plated
Housing	CuZn, tin-plated
Insert	PA GF
Electrical	
Nominal current	1.5 A
Nominal voltage	max. 60 V

The application of these products in harsh environments should always be checked before use. Specifications subject to alteration.

Pin assignment

M12 Socket



- 1 = TD+
- 2 = RD+
- 3 = TD-
- 4 = RD-
- 5 = shield

RJ45 Jacket



- 1 = TD+ 5 = n.c.
- 2 = TD- 6 = RD-
- 3 = RD+ 7 = n.c.
- 4 = n.c. 8 = n.c.

Part number	Order number
0981 ENC 100	63484

