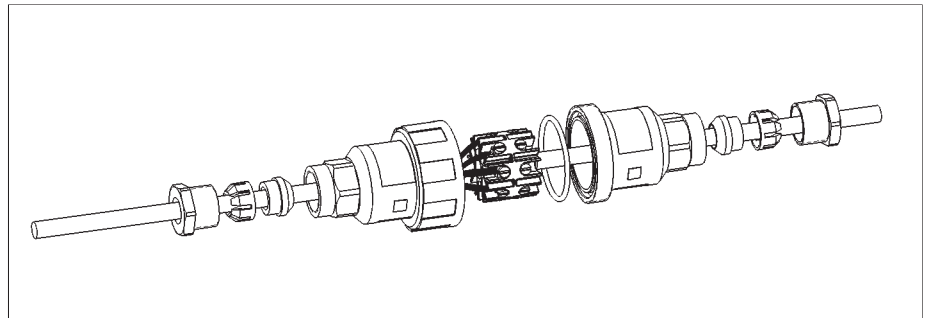
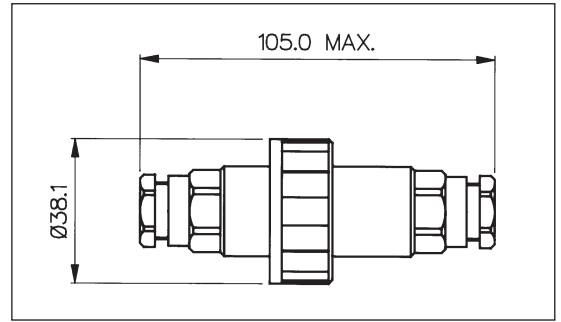


Sealed In-Line Cable Joiner

CABLE JOINER



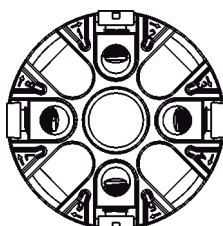
- IP68 & IP69k Rating
- For Sealed In-Line Connections
- Standard Cable Acceptance 6-8mm
- Cable Range 3.5-9mm (using alternative glands)
- Supplied with 4, 6 or 8 way Terminal Block
- Available Moulded in Black or Orange



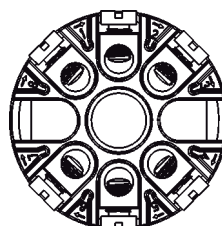
BUCCANEER POWER

Specification	PX0777/4POLE	PX0777/6POLE	PX0777/8POLE
Rating:	10A, 250V a.c.	10A, 250V a.c.	10A, 250V a.c.
Wire Termination:	4 way Terminal Block	6 way Terminal Block	8 way Terminal Block
Conductor Accommodation:	1.5mm ² max	1.5mm ² max	1.5mm ² max
Cable Acceptance:	6-8mm dia alternative glands available on request	6-8mm dia alternative glands available on request	6-8mm dia alternative glands available on request
Material:	Glass Filled Polyamide UL94-V0	Glass Filled Polyamide UL94-V0	Glass Filled Polyamide UL94-V0
Sealing:	IP68 to BSEN 60529 : 1992 1.054kg/sq.cm. (15lbs/sq.in.) 10m depth for 2 weeks	IP68 to BSEN 60529 : 1992 1.054kg/sq.cm. (15lbs/sq.in.) 10m depth for 2 weeks	IP68 to BSEN 60529 : 1992 1.054kg/sq.cm. (15lbs/sq.in.) 10m depth for 2 weeks
Operating Temp. Range:	-20°C to +70°C	-20°C to +70°C	-20°C to +70°C
Colour:	Black Orange (Add /OR to PNo.)	Black Orange (Add /OR to PNo.)	Black Orange (Add /OR to PNo.)
RoHS	Compliant	Compliant	Compliant

PX0777/4POLE



PX0777/6POLE



PX0777/8POLE

