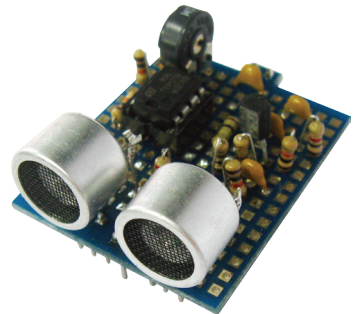
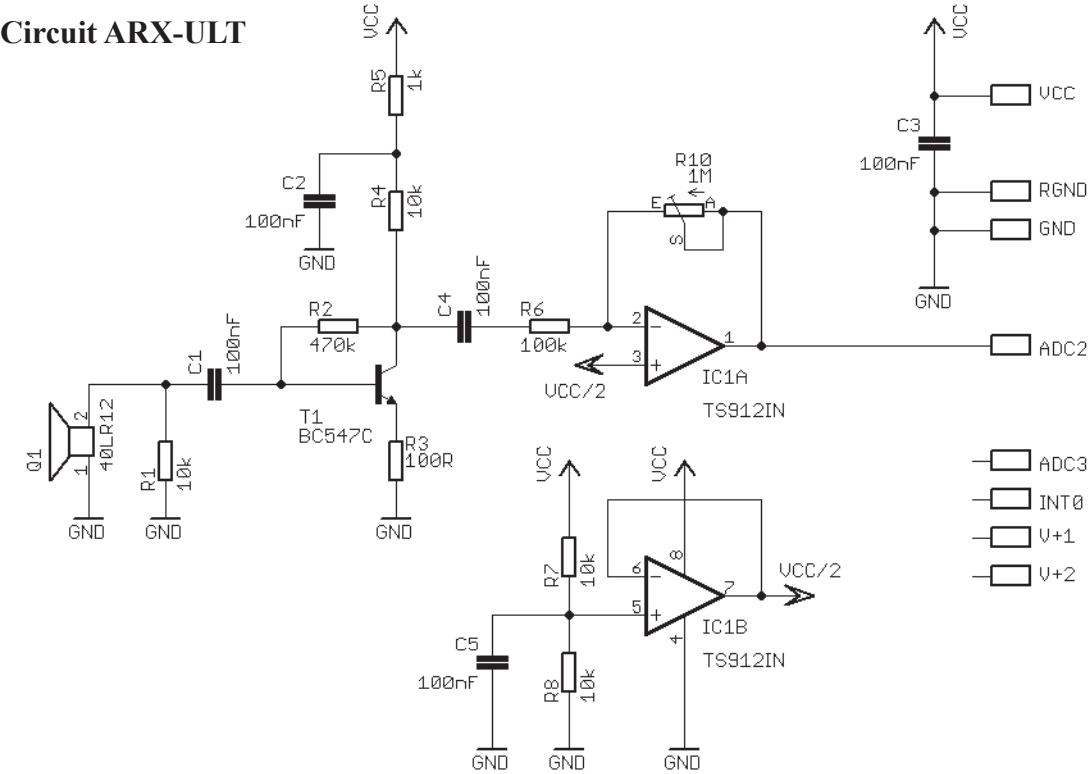
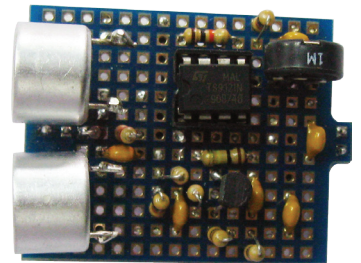
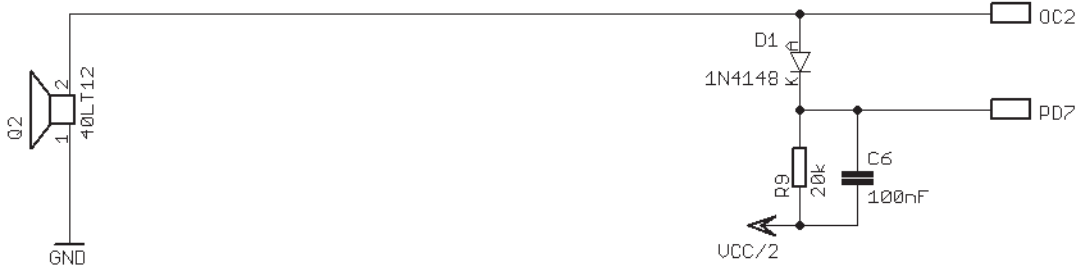


# ASURO Ultrasound KIT ARX-ULT

**Circuit ARX-ULT**



- VCC
- R6ND
- GND
- ADC2
- ADC3
- INT0
- V+1
- V+2



## Short manual for the ASURO ULTRA SOUND KIT

*An very extensive description can be found in the book MORE FUN WITH ASURO volume I and <http://www.globalspecialties.com>*