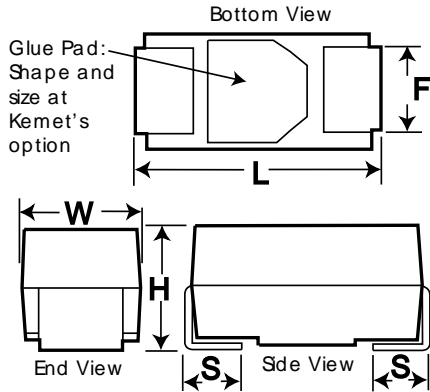


Capacitor, aluminum, 22 uF, +/-20% Tol, 16VDC@125° C



Dimensions (mm)		
Symbol	Dimension	Tolerance
L	7.3	+/-0.3
W	4.3	+/-0.3
H	2.8	+/-0.3
F	2.4	+/-0.1
S	1.3	+/-0.3

**Notes:**

-In polarity stripe, at KEMET's option, type may be indicated: AO  
 = KEMET's Aluminum Organic Cathode capacitor.

**General Information**

Supplier: KEMET

**Specifications**

Value:	22 uF
Rated Temperature:	125° C
Voltage @ rated temp:	16VDC
Temperature Range:	-55/+125C
Tolerance:	+/-20%
Footprint:	7343
ESR at 100kHz @ room temp:	30 mOhm
Leakage Current:	14 uA
Leakage Condition:	5min/20c
Dissipation Factor:	6%
Ripple 100kHz @ rated temp:	2.9 A

**Packaging Specifications**

Package Kind:	T&R
Package Size:	180mm
Package Quantity:	500