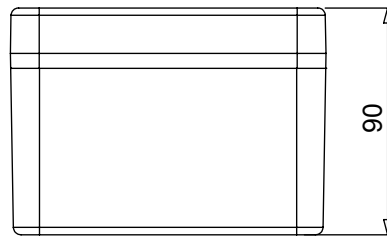
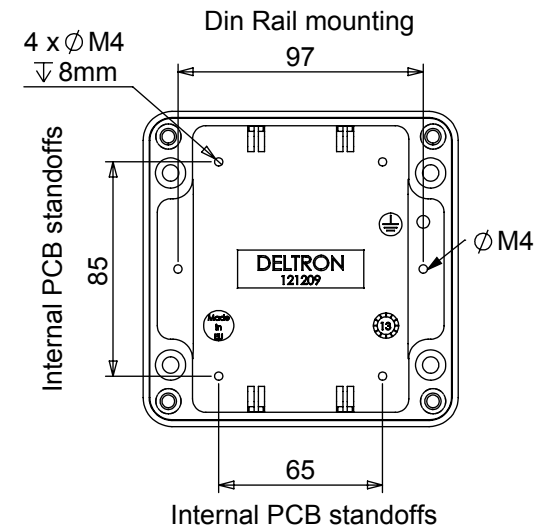
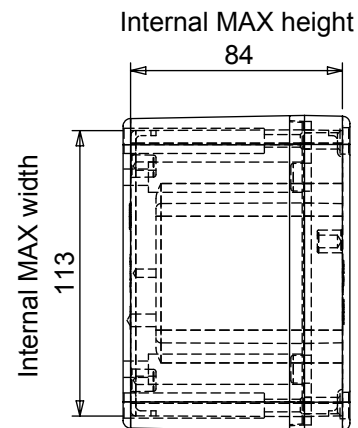
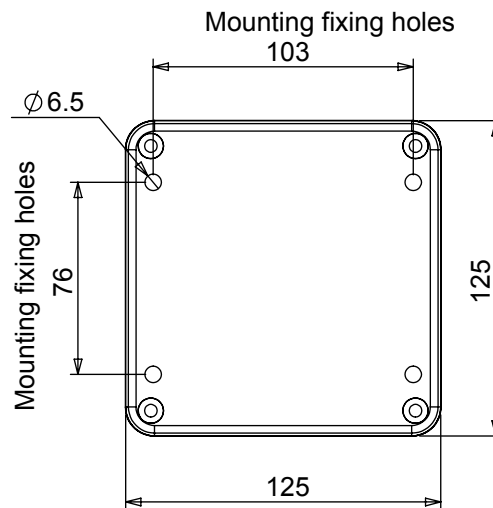
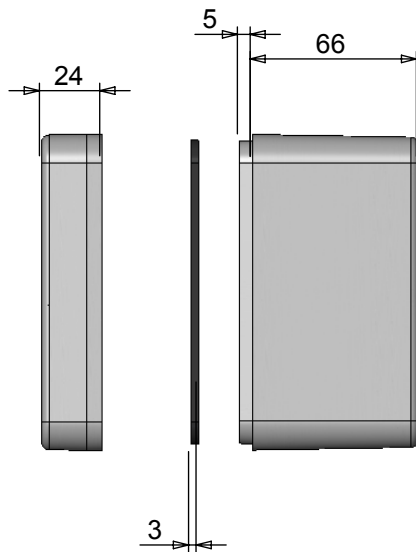


Length	Width	Height	Un-Painted	Powder Coat	Nylon Coat
125	125	90	486-121209-68	487-121209*-68	488-121209*-68
Box Dimensions in mm			Colour Option - Colour suffix * - Grey= A / Blue= B / Black= E		

Die cast aluminium enclosure sealed to
BS EN 60529:1992 IP66, IP67 and IP68 (10mtrs for 20 hour)



- 3mm One piece Die cut Silicone Rubber Sponge 01-255FR Seal
- Seal has Self Adhesive Backing. 01-255SAB Suitable for -60 °c to 240 °c.
- Min seal thickness 3.0mm - min seal frame width 3.5mm
- Min enclosure wall thickness 3mm
- Min enclosure lid thickness 3mm
- Enclosures can be supplied Machined to your specifications
- PCB maximum dimensions 113mm length, 1.7mm width
- Made in the EU



Tel No. +44(0)1724 273200 Website www.dem-uk.com



PROPRIETARY AND CONFIDENTIAL
THE INFORMATION CONTAINED IN THIS DRAWING IS THE SOLE PROPERTY OF
ALPHA 3 MANUFACTURING.
ANY REPRODUCTION IN PART OR AS A WHOLE WITHOUT THE WRITTEN PERMISSION OF
ALPHA 3 MANUFACTURING IS PROHIBITED.



UNLESS OTHERWISE SPECIFIED:
DIMENSIONS ARE IN MILLIMETRES.
TOLERANCE:
NO DECIMAL PLACES ±0.2mm
1 DECIMAL PLACE ±0.1mm
2 DECIMAL PLACES ±0.05mm
ANGULAR TOLERANCE: ±1°

FINISH - see paint code for colour
DEBURR AND BREAK SHARP EDGES
DRAWN BY SPB
APPROVED BY WC
THIRD ANGLE PROJECTION
IF IN DOUBT ASK
DO NOT SCALE DRAWING
MATERIAL LM24

SCALE 1:3
A4

SHEET 1 OF 1
SCALE 1:3
A4

TITLE
**HEAVY DUTY
DIE CAST ENCLOSURE
IP68**
DRAWING NO.
486-121209-68
ISSUE
01
Release