



ANSI Standard Thermocouple Socket with Stainless Steel mounting bracket



'Maximum continuous operating temperature 220 deg°C'

About Labfacility

Formed in 1971, Labfacility specialize in the field of Temperature and Process Measurement.

We are the largest UK manufacturer of both temperature sensors and thermocouple connectors

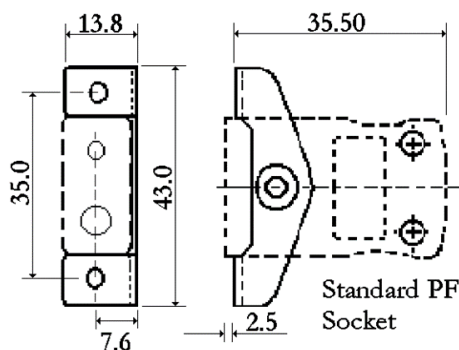
Quality & Service

Quality and Service are key elements in the continued growth of Labfacility.

Technical support is always freely available from our experienced technical sales teams and the company has ISO9001 accreditation.

- Standard size in-line Thermocouple Socket with stainless steel panel mounting bracket
- Intended for use in more industrial processes but can be used in all applications as desired
- Available in Thermocouple types K, J, T
- For Types K, J, T contacts are made from true Thermocouple alloys
- Colour coded in accordance with ANSI specification
- Maximum continuous operating temperature 220 deg°C

T/C Type	Colour Code (ANSI)	+Positive (alloy type)	-Negative (alloy type)	Labfacility Code	Farnell Code
K	Yellow	+Nickel Chromium	-Nickel Alloy	AS-K-SSPF	234-7160
J	Black	+Iron	-Copper Nickel	AS-J-SSPF	234-7159
T	Blue	+Copper	-Copper Nickel	AS-T-SSPF	234-7161



Contact Details

Email
sales@labfacility.com

Website
www.labfacility.com