

SWITCH - TOGGLE

1TL1 SERIES CHART 1

CATALOG LISTING

THIS DRAWING COVERS A PROPRIETARY ITEM AND IS THE PROPERTY OF MICRO SWITCH, A DIVISION OF HONEYWELL. THIS DRAWING IS NOT TO BE COPIED OR USED WITHOUT THE APPROVAL OF MICRO SWITCH

CATALOG LISTING
1TL1 SERIES CHART 1

PAGE 1 OF 1

ISSUE
23

REVISIONS
A CO-94429
S A V
24 NOV 99

CHECK

24 NOV 99

JAF

CHECK

24 NOV 99

CHECK

2D

PTC/CAD

ANSI Y14.5M-1982 APPLIES

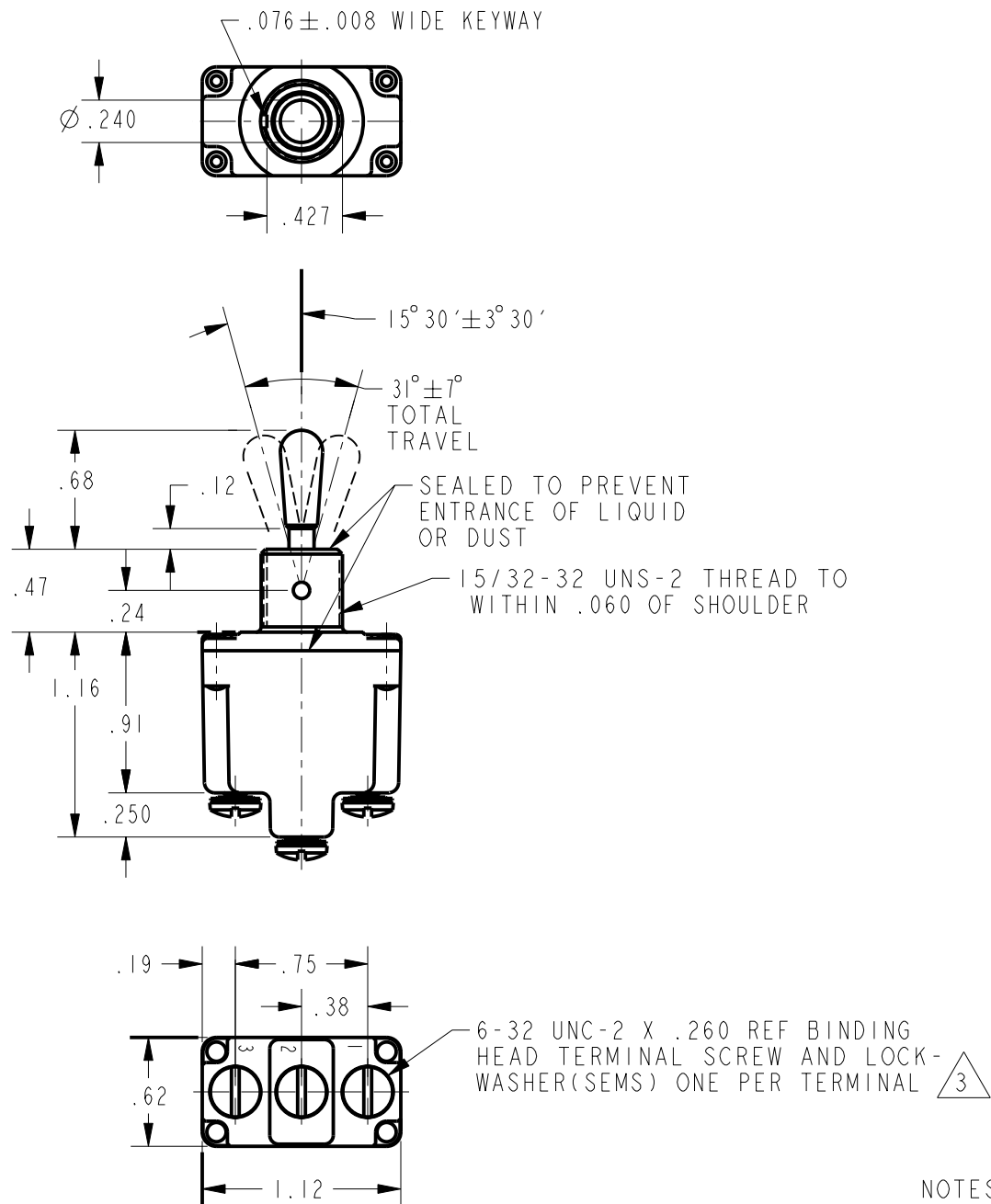
REPLACES

RELEASE NO.

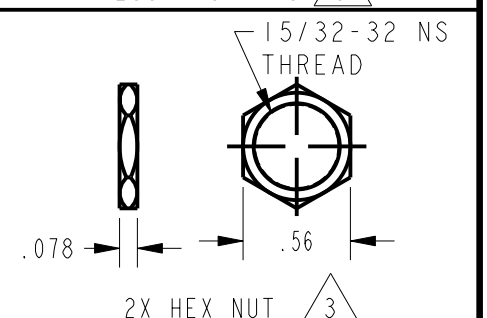
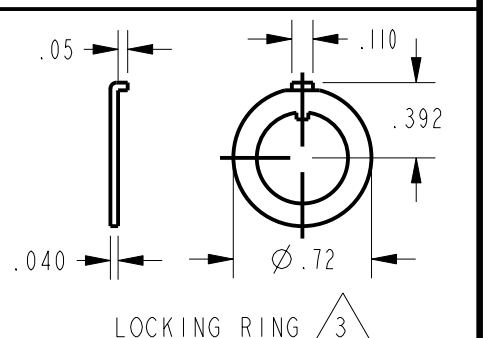
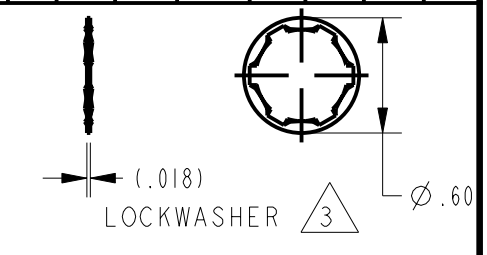
CHECK

CHECK

CHECK



CATALOG LISTING	CIRCUIT MADE WITH TOGGLE LEVER IN			MILITARY STANDARD NUMBER	MILITARY RATING (AMPS)								
	KEYWAY SIDE (1-2)	CENTER (1-2)	OPPOSITE KEYWAY (2-3)		RESISTIVE LOAD				LAMP LOAD		INDUCTIVE LOAD		
					DC VOLTS	AC VOLTS	DC VDC	VAC	VDC	VAC			
ITLI-1	ON	OFF	ON	MS24523-21	28	125	250	125	250	28	125	28	125
ITLI-2	OFF	NONE	ON	MS24523-22	20	.75	.5	15	6	5	3	15	10
ITLI-3	ON	NONE	ON	MS24523-23	(REFER TO L191 FOR UL RATING)								
ITLI-21	NONE	OFF	ON	MS24523-24									
ITLI-31	NONE	ON	ON	MS24523-33									
ITLI-4	MOM OFF	NONE	ON	MS24523-29									
ITLI-5	MOM ON	OFF	ON	MS24523-31									
ITLI-6	MOM ON	NONE	OFF	MS24523-30	15	.75	.5	15	6	4	2	10	7
ITLI-7	MOM ON	OFF	MOM ON	MS24523-27	(REFER TO L192 FOR UL RATING)								
ITLI-8	MOM ON	NONE	ON	MS24523-26									
ITLI-51	NONE	ON	MOM ON	MS24523-32									
ITLI-61	MOM ON	OFF	NONE	MS24523-28									



- NOTES
- SWITCHES ARE CAPABLE OF WITHSTANDING A TEMPERATURE OF 160° F CONTINUOUSLY AT FULL RATED LOAD
 - CIRCUIT DESIGNATION, MICRO SWITCH CATALOG LISTING AND "MS" NUMBER MARKED ON SIDE OF SWITCH
 - FURNISHED UNASSEMBLED
 - FOR TERMINAL COVER, SEE MICRO SWITCH CATALOG LISTING 5PA7
 - APPLIES ONLY TO "ON" AND "MOMENTARY ON" POSITIONS
 - THESE SWITCHES ARE QUALIFIED UNDER MIL-S-3950

15A-125, <u>250</u> OR 277 VAC		10A-125, <u>250</u> , 277 VAC	
1/2 HP-125VAC: 1 HP- <u>250</u> , 277 VAC		1/4 HP-125VAC: 1/2 HP- <u>250</u> , 277 VAC	
5A-125VAC "L" CODE L191		3A-125VAC "L" CODE L192	

THIRD ANGLE PROJECTION

SCALE FULL

DO NOT SCALE PRINT

UNLESS OTHERWISE SPECIFIED TOLERANCES ARE

ONE PLACE	(.0)	±.030
TWO PLACE	(.00)	±.015
THREE PLACE	(.000)	±.005
ANGLES		±
WEIGHT	.07 LBS APPROX	