

M12-Receptacle Connectors In Accordance With IEC 61076-2-101

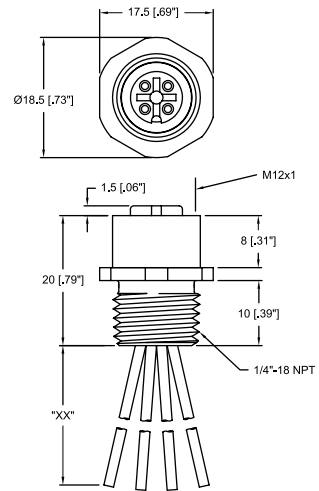
RKF 4-693



Male, 4-Pole

Receptacle connector, female, front mounting,
18 AWG stranded copper conductors, 1/4"-18
NPT, EURO Color Code.

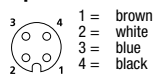
RKF 4-693



Pin Assignments

Face Views / M12, Female

4 pole





M12-Receptacle Connectors In Accordance With IEC 61076-2-101 RKF 4-693

Technical Data

Environmental

Degree of protection IP 67 / NEMA 6P
 Operating temperature range -25°C (-13°F) / +90°C (+194°F)

Mechanical

Housing Brass, nickel-plated
 Insert PUR, black
 Contact Brass, gold over nickel-plated

Electrical

Current rating 4 A
 Voltage rating 250 V

Wire Specifications

Conductors 18 AWG, stranded copper
 Insulation PVC, 300V

Part Number	Pins	Leads AWG	Lead Lengths	Characteristics
RKF 4-693/...M	4	18 AWG	0.5 M / 2 M / 3 M	