

M12 Actuator/Sensor Distribution Boxes

ASBSV

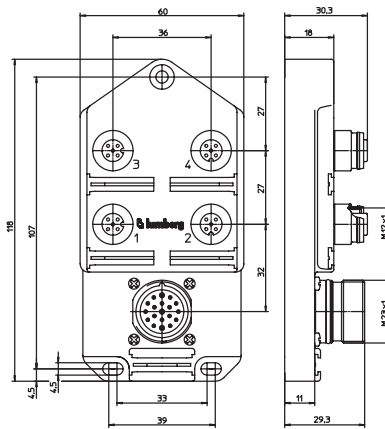


4-, 6-, and 8-Ports

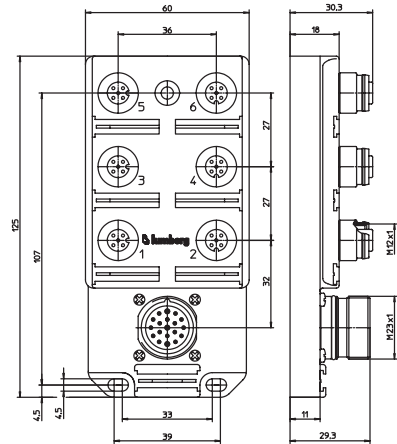
Pluggable actuator/sensor distribution box, 4-, 6-, and 8-ports, top-entry, M12 sockets, 5-poles, 2 signals per socket, with M23 quick-disconnect for the control cable.

– control cable type: 19P: RKU 19-242/...M or RKWU 19-242/...M –

4-Ports



6-Ports

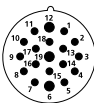


Pin Assignments

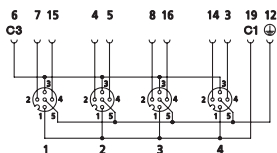
M12 / M23

Wiring Diagrams

5 P / 19 P

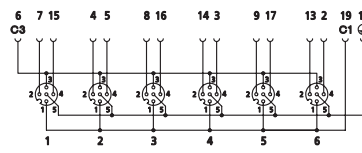


4-Ports



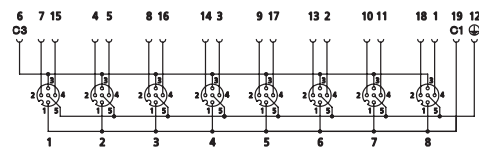
- 1 = 19 (C1)
- 2 = 1 (7)
- 2 = 2 (4)
- 3 = 3 (8)
- 4 = 4 (14)
- 3 = 6 (C3)
- 4 = 1 (15)
- 4 = 2 (5)
- 3 = 3 (16)
- 4 = 4 (3)
- 5 = 12 (PE)

6-Ports



- 1 = 19 (C1)
- 2 = 1 (7)
- 2 = 2 (4)
- 3 = 3 (8)
- 4 = 4 (14)
- 5 = 5 (9)
- 6 = 6 (13)
- 3 = 6 (C3)
- 4 = 1 (15)
- 2 = 2 (5)
- 3 = 3 (16)
- 4 = 4 (3)
- 5 = 5 (17)
- 6 = 6 (2)
- 5 = 12 (PE)

8-Ports



- 1 = 19 (C1)
- 2 = 1 (7)
- 2 = 2 (4)
- 3 = 3 (8)
- 4 = 4 (14)
- 5 = 5 (9)
- 6 = 6 (13)
- 7 = 7 (10)
- 8 = 8 (18)
- 3 = 6 (C3)
- 4 = 1 (15)
- 2 = 2 (5)
- 3 = 3 (16)
- 4 = 4 (3)
- 5 = 5 (17)
- 6 = 6 (2)
- 7 = 7 (11)
- 8 = 8 (1)
- 5 = 12 (PE)

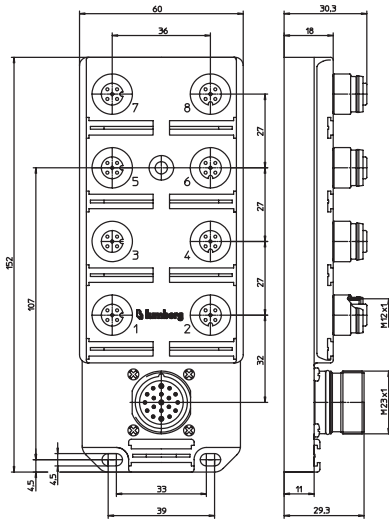


Be Certain with Belden

M12 Actuator/Sensor Distribution Boxes

ASBSV 4 5 | ASBSV 6 5 | ASBSV 8 5

8-Ports



Technical Data

Environmental

Degree of protection IP 67 / NEMA 6P
 Operating temperature range -15°C (+5°F) / +80°C (+176°F)

Mechanical

Housing TPU, self-extinguishing
 Insert PA GF, self-extinguishing
 Contact CuZn, pre-nickel and 0.8 microns gold-plated
 Receptacle shell CuZn, nickel-plated
 O-ring FKM

Electrical

Contact resistance ≤5mΩ
 Voltage rating 250 V
 Current rating 4 A per port / 10 A max. total
 Insulation resistance > 10⁹ Ω

Accessories (included)

ZVK 2 dust covers for unused sockets
 ZBS 10 attachable labels

Part Number	Ports	Mating Control Cables	Characteristics
ASBSV 4 5	4	RKU 19-242/...M or RKWU 19-242/...M	
ASBSV 6 5	6	RKU 19-242/...M or RKWU 19-242/...M	
ASBSV 8 5	8	RKU 19-242/...M or RKWU 19-242/...M	