

Features

- Available in E6 series
- High inductance up to 10 mH
- Low 6.0 mm profile
- Gull wing leads
- RoHS compliant*

Applications

- Input/output of DC/DC converters
- Power supplies for:
 - Portable communication equipment
 - Camcorders
 - LCD TVs
 - Car radios

SRR0906 Series - SMD Shielded Power Inductors

Electrical Specifications

Bourns Part No.	Inductance 1 KHz		Q Ref.	Test Frequency (MHz)	SRF Min. (MHz)	RDC Max. (Ω)	I rms Max. (A)	I sat Typ. (A)
	uH	Tol. %						
SRR0906-2R7ML	2.7	±20	23	7.96	85.0	0.032	3.20	5.80
SRR0906-3R5ML	3.5	±20	23	7.96	80.0	0.036	2.90	5.20
SRR0906-4R7ML	4.7	±20	23	7.96	40.0	0.040	2.70	4.30
SRR0906-5R6ML	5.6	±20	23	7.96	57.0	0.046	2.50	4.20
SRR0906-6R8ML	6.8	±20	23	7.96	38.0	0.050	2.30	3.40
SRR0906-8R2ML	8.2	±20	23	7.96	30.0	0.055	2.10	3.20
SRR0906-100ML	10	±20	35	2.52	29.0	0.080	1.80	2.70
SRR0906-120ML	12	±20	35	2.52	26.0	0.085	1.70	2.60
SRR0906-150ML	15	±20	35	2.52	23.0	0.100	1.60	2.40
SRR0906-180ML	18	±20	35	2.52	22.0	0.110	1.50	2.00
SRR0906-220ML	22	±20	35	2.52	19.0	0.130	1.40	1.90
SRR0906-270ML	27	±20	35	2.52	17.0	0.140	1.30	1.80
SRR0906-330ML	33	±20	35	2.52	15.0	0.150	1.20	1.60
SRR0906-390ML	39	±20	35	2.52	14.0	0.160	1.10	1.40
SRR0906-470ML	47	±20	35	2.52	12.0	0.180	1.00	1.30
SRR0906-560ML	56	±20	35	2.52	12.0	0.300	0.93	1.20
SRR0906-680ML	68	±20	40	2.52	9.0	0.350	0.85	1.00
SRR0906-820ML	82	±20	40	2.52	8.0	0.370	0.78	0.90
SRR0906-101YL	100	±15	40	0.796	7.5	0.420	0.70	0.90
SRR0906-121YL	120	±15	40	0.796	7.0	0.480	0.65	0.75
SRR0906-151YL	150	±15	40	0.796	6.0	0.550	0.60	0.70
SRR0906-181YL	180	±15	40	0.796	5.5	0.820	0.52	0.70
SRR0906-221YL	220	±15	40	0.796	5.0	1.000	0.48	0.60
SRR0906-271YL	270	±15	40	0.796	5.0	1.100	0.44	0.55
SRR0906-331YL	330	±15	40	0.796	4.5	1.300	0.40	0.51
SRR0906-391YL	390	±15	40	0.796	4.2	1.400	0.38	0.50
SRR0906-471YL	470	±15	40	0.796	4.0	1.600	0.35	0.40
SRR0906-561YL	560	±15	60	0.796	3.2	2.700	0.28	0.35
SRR0906-681YL	680	±15	60	0.796	2.7	3.200	0.25	0.33
SRR0906-821YL	820	±15	85	0.796	2.6	3.500	0.23	0.30
SRR0906-102YL	1000	±15	100	0.252	2.3	4.000	0.22	0.26
SRR0906-122YL	1200	±15	100	0.252	2.3	4.400	0.20	0.24
SRR0906-152YL	1500	±15	100	0.252	2.0	5.200	0.18	0.22
SRR0906-182YL	1800	±15	100	0.252	1.7	7.000	0.17	0.20
SRR0906-222YL	2200	±15	100	0.252	1.5	8.500	0.16	0.18
SRR0906-272YL	2700	±15	100	0.252	1.4	9.200	0.14	0.17
SRR0906-332YL	3300	±15	100	0.252	1.3	11.000	0.12	0.15
SRR0906-392YL	3900	±15	100	0.252	1.2	16.000	0.11	0.13
SRR0906-472YL	4700	±15	100	0.252	1.0	19.000	0.10	0.11
SRR0906-562YL	5600	±15	100	0.252	0.9	21.000	0.09	0.11
SRR0906-682YL	6800	±15	100	0.252	0.9	24.000	0.09	0.10
SRR0906-822YL	8200	±15	100	0.252	0.8	31.000	0.08	0.09
SRR0906-103YL	10000	±15	100	0.0796	0.7	38.000	0.07	0.08

Multiple windings possible (up to four windings).

Schematic



DIMENSIONS: $\frac{\text{MM}}{(\text{INCHES})}$

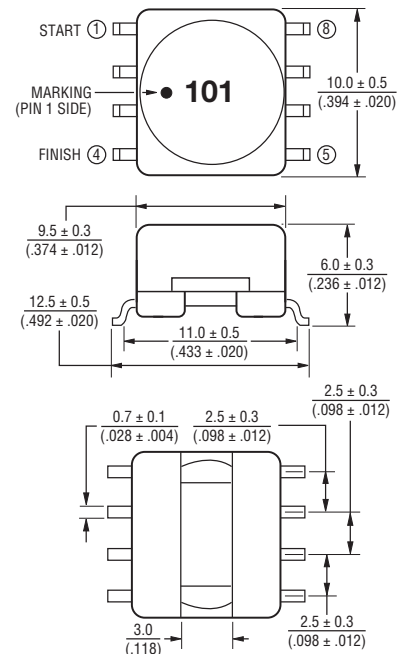
General Specifications

Test Voltage 1 V
 Reflow Soldering .. 230 °C, 50 sec. max.
 Operating Temperature -40 °C to +125 °C
 (Temperature rise included)
 Storage Temperature -40 °C to +125 °C
 Resistance to Soldering Heat 260 °C for 5 sec.

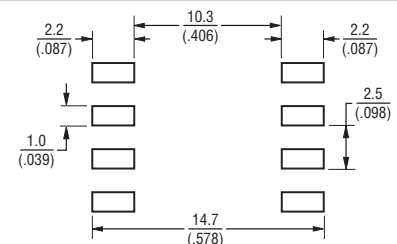
Materials

Core Ferrite DR & RI
 Wire Enameled copper
 Base LCP
 Terminal Cu/Ni/Sn
 Adhesive Epoxy resin
 Rated Current Ind. drop of 10 % typ. at Isat
 Temperature Rise 40 °C max. at rated I rms
 Packaging 600 pcs. per reel

Product Dimensions



Recommended Layout



*RoHS Directive 2002/95/EC Jan. 27, 2003 including annex and RoHS Recast 2011/65/EU June 8, 2011.

Specifications are subject to change without notice.

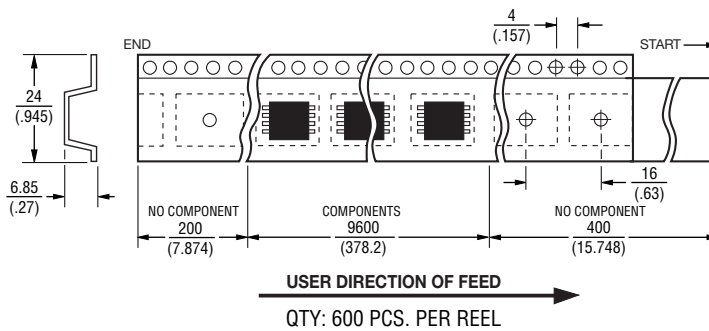
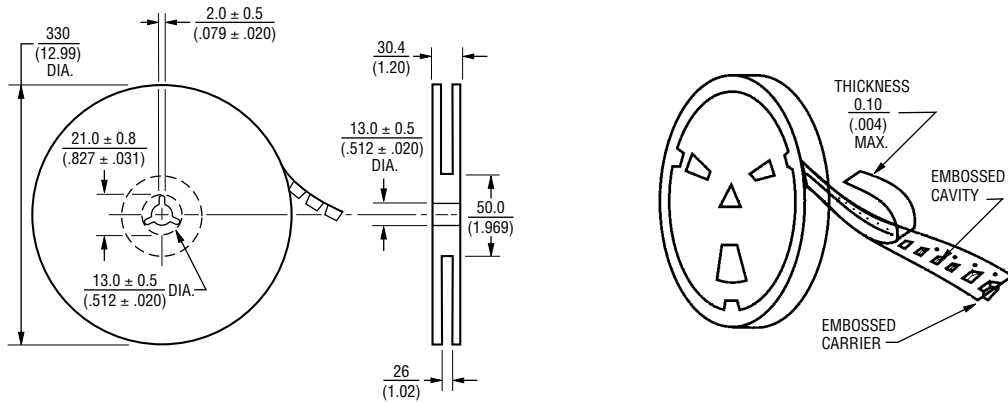
The device characteristics and parameters in this data sheet can and do vary in different applications and actual device performance may vary over time.

Users should verify actual device performance in their specific applications.

SRR0906 Series - SMD Shielded Power Inductors

BOURNS®

Packaging Specifications



DIMENSIONS: $\frac{\text{MM}}{\text{(INCHES)}}$

REV. 08/13

Specifications are subject to change without notice. The device characteristics and parameters in this data sheet can and do vary in different applications and actual device performance may vary over time. Users should verify actual device performance in their specific applications.