

Round Aluminium Knob

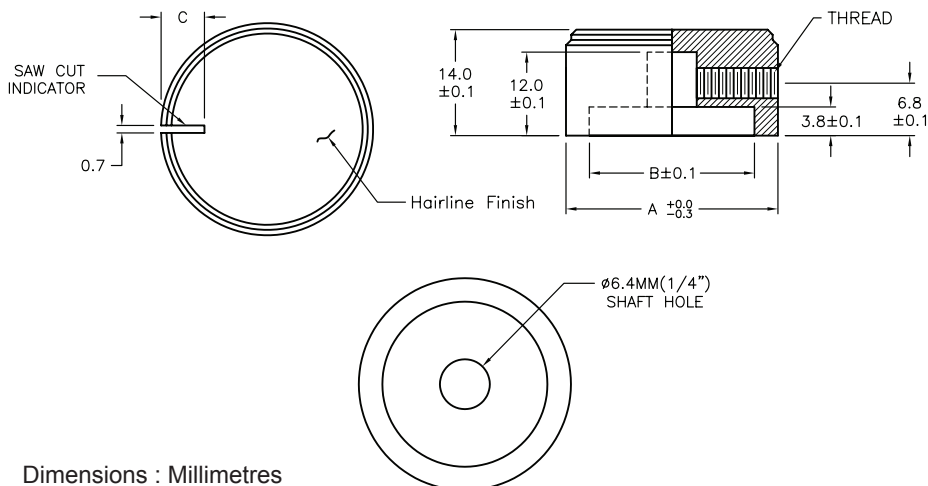


**RoHS
Compliant**



Specifications:

Knob / Dial Style : Round with Indicator Line
 Shaft Type : Round
 Knob Material : Aluminium
 Body Material : Solid Aluminium



Dimensions : Millimetres

Part Number Table

Description	Dimensions (mm)			Finish Anodized	Set Screw	Part Number
	A	B	C			
Solid Aluminium Knobs, Plain Sides Machined Finish	16	12	4	Sliver	M4 × 4	MC21023
	22	16	5		M4 × 6	MC21024
	28	22	5.5		M4 × 6	MC21025
	16	12	4	Black	M4 × 4	MC21026
	22	16	5		M4 × 6	MC21027
	28	22	5.5		M4 × 6	MC21028

Important Notice : This data sheet and its contents (the "Information") belong to the members of the Premier Farnell group of companies (the "Group") or are licensed to it. No licence is granted for the use of it other than for information purposes in connection with the products to which it relates. No licence of any intellectual property rights is granted. The Information is subject to change without notice and replaces all data sheets previously supplied. The Information supplied is believed to be accurate but the Group assumes no responsibility for its accuracy or completeness, any error in or omission from it or for any use made of it. Users of this data sheet should check for themselves the Information and the suitability of the products for their purpose and not make any assumptions based on information included or omitted. Liability for loss or damage resulting from any reliance on the Information or use of it (including liability resulting from negligence or where the Group was aware of the possibility of such loss or damage arising) is excluded. This will not operate to limit or restrict the Group's liability for death or personal injury resulting from its negligence. Multicomp is the registered trademark of the Group. © Premier Farnell plc 2012.

www.element14.com
 www.farnell.com
 www.newark.com

