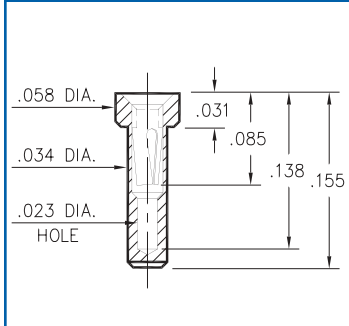
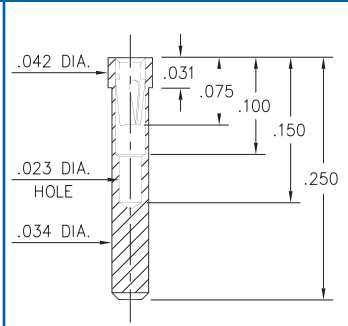


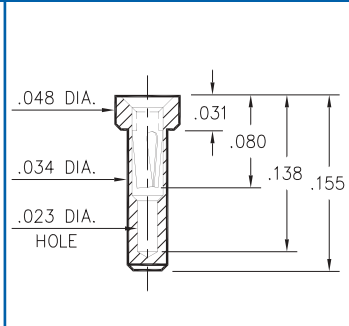
0548 8975 3016 9548



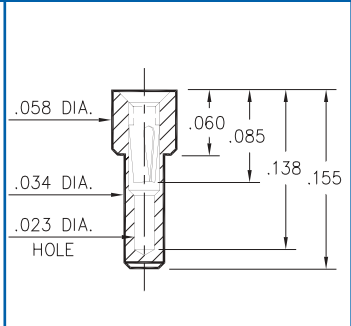
0548-0-15-XX-21-XX-10-0
Solder mount in .036 min. mounting hole



8975-0-15-XX-21-XX-10-0
Solder mount in .036 min. mounting hole

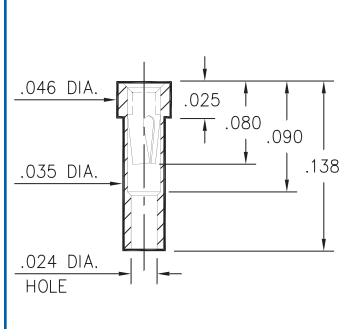


3016-0-15-XX-21-XX-10-0
Solder mount in .036 min. mounting hole

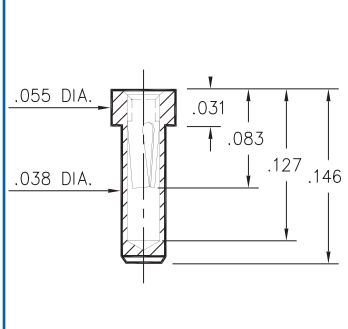


9548-0-15-XX-21-XX-10-0
Solder mount in .036 min. mounting hole

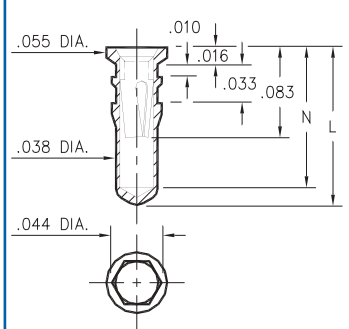
8637 1407 0553/8553



8637-0-15-XX-21-XX-10-0
Solder mount in .037 min. mounting hole



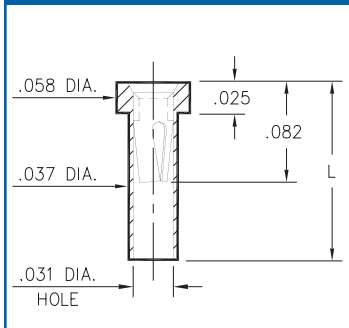
1407-0-15-XX-11-XX-10-0
Solder mount in .040 min. mounting hole



X553-X-15-XX-X1-XX-10-0
Hex press-fit in .041 plated thru hole

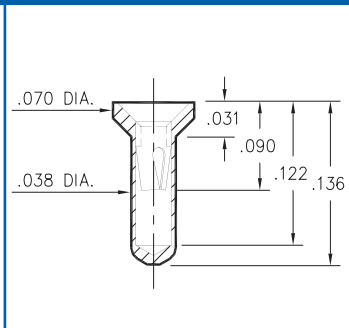
Basic Part Number	Length L	Depth N
0553-1	.140	.124
0553-2	.170	.154
0553-3	.282	.266
8553-0	.245	.229

0566 0442 0554

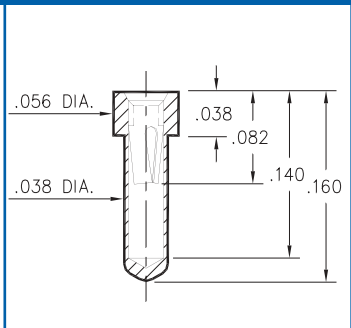


0566-X-15-XX-21-XX-10-0
Solder mount in .039 min. mounting hole

Basic Part Number	Length L
0566-1	.083
0566-2	.138



0442-0-15-XX-11-XX-10-0
Solder mount in .040 min. mounting hole



0554-0-15-XX-21-XX-10-0
Solder mount in .040 min. mounting hole

SPECIFICATIONS

SHELL MATERIAL: Brass Alloy 360, 1/2 Hard

CONTACT MATERIAL: Beryllium Copper Alloy 172, HT

DIMENSION IN INCHES TOLERANCES ON:
LENGTHS: ±.005
DIAMETERS: ±.002
ANGLES: ± 2°

ORDER CODE: XXXX - X - 15 - XX - XX - XX - 10 - 0

BASIC PART # (points to XXXX)

SPECIFY SHELL FINISH: (points to X)

SPECIFY CONTACT FINISH: (points to XX)

01 200m TIN/LEAD OVER NICKEL
15 10m GOLD OVER NICKEL

02 200m TIN/LEAD OVER NICKEL
14 10m GOLD OVER NICKEL
27 30m GOLD OVER NICKEL

SELECT CONTACT
#11 OR #21 CONTACT (DATA ON PAGE 206)