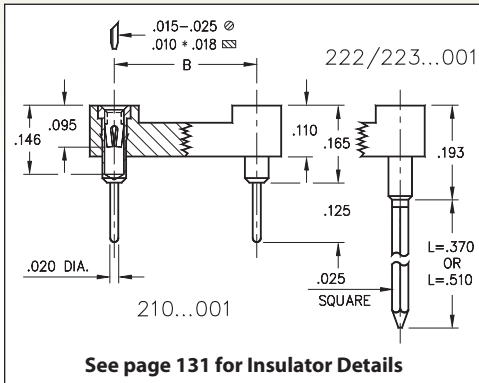
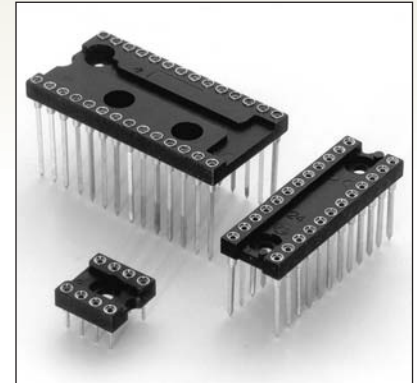


DUAL-IN-LINE SOCKETS

SERIES 210, 222, 223 • SOLDER TAIL AND WRAPOST • CLOSED FRAME



- Closed frame insulator withstands high mechanical impact
- Available with standard solder pins, 2-level or 3-level wraposts
- Hi-Rel, 4-finger BeCu #30 contact is rated at 3 amps. See page 253 for details
- Series 210, 222 and 223 use MM #1001, #0088 or #0089 pins. See pages 165 & 198 for details
- Insulators are high temperature thermoplastic, suitable for all soldering operations
- For Electrical, Mechanical and Environmental Data, see page 264 for details



Total number of pins				Quantity per tube	ORDERING INFORMATION									
	A	B	C		Solder Tail	L = .370 (2 Level Wrapost)			L = .510 (3 Level Wrapost)					
6	0.3	0.3	0.4	67	210-XX-306-41-001000	222-XX-306-41-001000	223-XX-306-41-001000							
8	0.4	0.3	0.4	50	210-XX-308-41-001000	222-XX-308-41-001000	223-XX-308-41-001000							
10	0.5	0.3	0.4	40	210-XX-310-41-001000	222-XX-310-41-001000	223-XX-310-41-001000							
14	0.7	0.3	0.4	28	210-XX-314-41-001000	222-XX-314-41-001000	223-XX-314-41-001000							
16	0.8	0.3	0.4	25	210-XX-316-41-001000	222-XX-316-41-001000	223-XX-316-41-001000							
18	0.9	0.3	0.4	22	210-XX-318-41-001000	222-XX-318-41-001000	223-XX-318-41-001000							
20	1.0	0.3	0.4	20	210-XX-320-41-001000	222-XX-320-41-001000	223-XX-320-41-001000							
22	1.1	0.3	0.4	18	210-XX-322-41-001000	222-XX-322-41-001000	223-XX-322-41-001000							
24	1.2	0.3	0.4	16	210-XX-324-41-001000	222-XX-324-41-001000	223-XX-324-41-001000							
22	1.1	0.4	0.5	18	210-XX-422-41-001000	222-XX-422-41-001000	223-XX-422-41-001000							
24	1.2	0.4	0.5	16	210-XX-424-41-001000	222-XX-424-41-001000	223-XX-424-41-001000							
24	1.2	0.6	0.7	16	210-XX-624-41-001000	222-XX-624-41-001000	223-XX-624-41-001000							
28	1.4	0.6	0.7	14	210-XX-628-41-001000	222-XX-628-41-001000	223-XX-628-41-001000							
32	1.6	0.6	0.7	12	210-XX-632-41-001000	222-XX-632-41-001000	223-XX-632-41-001000							
36	1.8	0.6	0.7	11	210-XX-636-41-001000	222-XX-636-41-001000	223-XX-636-41-001000							
40	2.0	0.6	0.7	10	210-XX-640-41-001000	222-XX-640-41-001000	223-XX-640-41-001000							
64	3.2	0.9	1.0	6	210-XX-964-41-001000	222-XX-964-41-001000	223-XX-964-41-001000							
SPECIFY PLATING CODE XX =					11	13	91	93	99	41	43	44		
Sleeve (Pin)					10 μ" Au	10 μ" Au	200 μ" Sn/Pb	200 μ" Sn/Pb	200 μ" Sn/Pb	200 μ" Sn	200 μ" Sn	200 μ" Sn		
Contact (Clip)					10 μ" Au	30 μ" Au	10 μ" Au	30 μ" Au	100 μ" Sn/Pb	10 μ" Au	30 μ" Au	100 μ" Sn		

