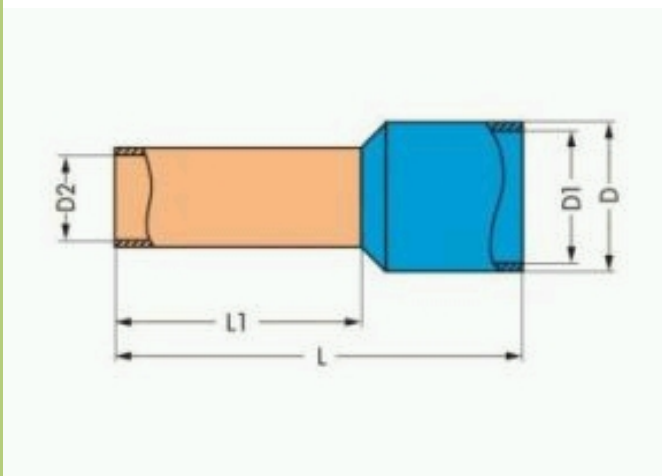


Item no.: 216-223 onlinecomponents.com
THE ONLINE DISTRIBUTOR OF ELECTRONIC COMPONENTS
 Product description: SCREWLESS END STOP SLEEVE FOR 1.8MMWG 18
 INSULATED ELECTROLYTIC COPPER



Packing unit 1000 pieces

Strip length to	8 mm
Product group	2 (Terminal Block Accessories)
L	12 mm
L1	6 mm
D	3.6 mm
D1	3 mm
D2	1.5 mm
Weight	0.125 g
Color	red
Customs Tariff No.	85369010
Country of Origin	Deutschland